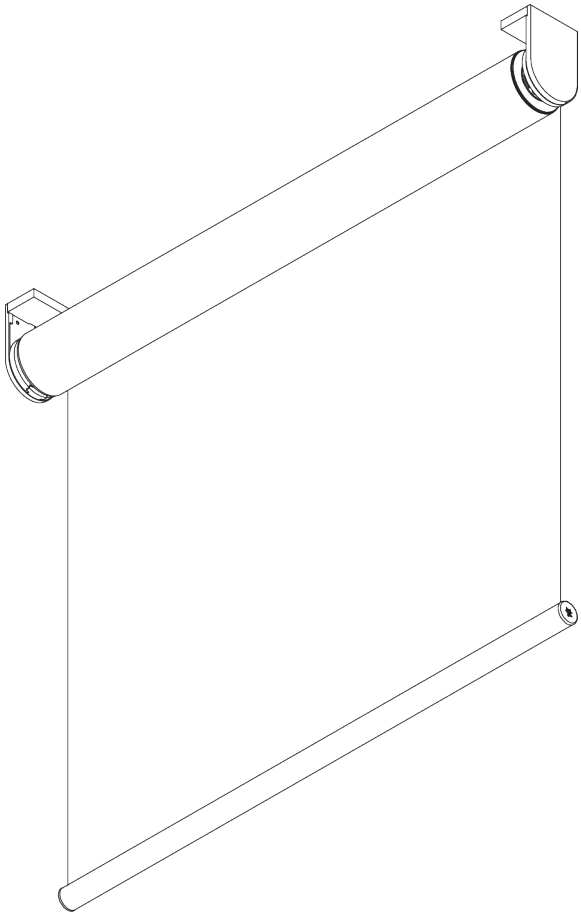
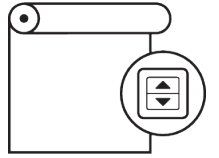


SG 4970



PRODUCT INFORMATION

- **Operation:** motorised
- **Range:** M - L
- **Fitting:** ceiling, wall, recess
- **Colours:** white RAL 9016, grey RAL 7035, black RAL 9005; special colours possible
- **Fabrics:** refer to Silent Gliss fabric collection

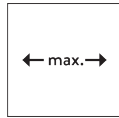
Features:

- Quiet and fast motors
- Soft stop
- Various control options
- Two connected systems
- Click-in brackets, fascia, box, installation profile

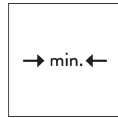
04/2024/V2

SYSTEM SPECIFICATIONS

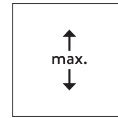
A. SYSTEM DIMENSIONS



Single system: 3.4 m
Double system: 6.8 m



65 cm*
*see motor specification table



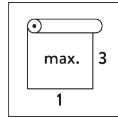
5 m



Single system: 17 m²
Double system: 34 m²



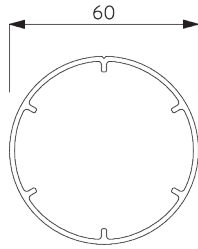
10 kg



Recommended width /
height ratio
max. 1:3

B. PROFILE

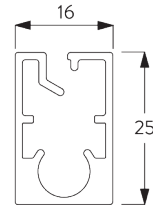
Profile information



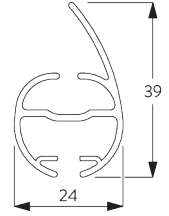
SG 11037
Tube ø 60 mm



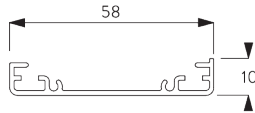
SG 10760
Bottom bar



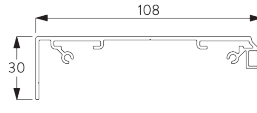
SG 10770
Bottom bar



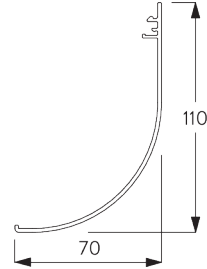
SG 4903
Bottom bar



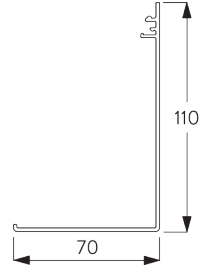
SG 11181
Installation profile



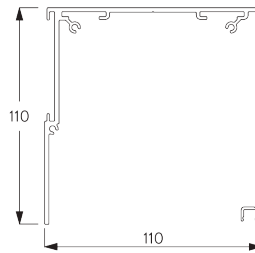
SG 11530
Installation profile fascia 110 mm



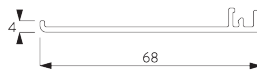
SG 11531
Fascia round 110 mm



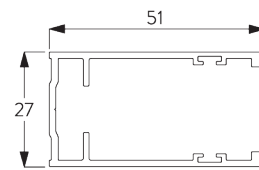
SG 11532
Fascia square 110 mm



SG 11533
Box case 110 mm



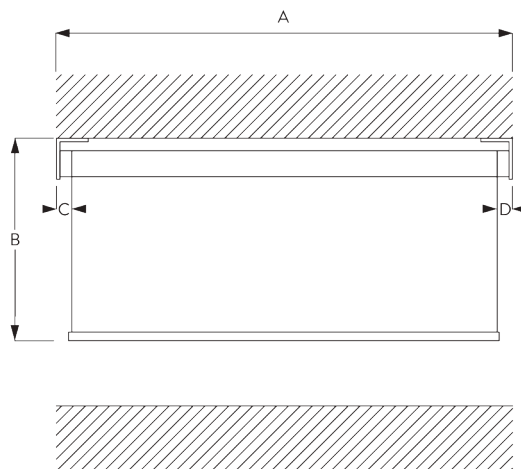
SG 11534
Box cover 110 mm



SG 11542
Side guide channel

C. HOW TO MEASURE

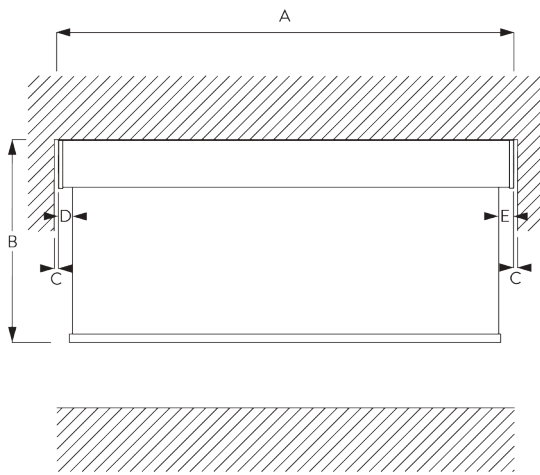
incl. bracket covers



A: System width
B: System height
C: Light gap: 18 mm
D: Light gap operation side: 25 mm

Note:
Different light gaps see motor specifications.
All measurements include 2 mm for bracket cover per side!

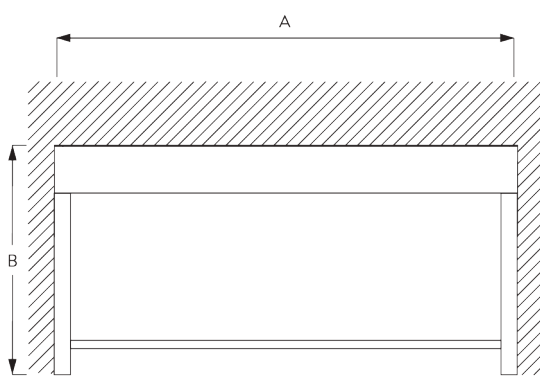
Fascia / Box



- A: System width
- B: System height
- C: Gap: min. 10 mm (when cover is used)*
- D: Light gap: 20 mm
- E: Light gap operation side: 27 mm

Note:
Different light gaps see motor specifications.
*Possible to make Fascia wider than system to reduce gap between wall and system.

Fascia / Box with Side Profiles SG 11542



- A: System width
- B: System height

D. SPECIFICATION

TEXT

Silent Gliss SG 4970 Electrically Operated Roller Blind with SG Smart by Silent Gliss enabled motor. Roller blind system for medium to large size blind applications up to 3.4m wide. Supplied made to measure and complete comprising anodised aluminium barrel SG 11037. Fixed to wall / ceiling / inside recess with brackets SG 11172 and bracket covers SG 11173. Brackets and hardware in white / grey / black finish. Assembled with powder coated white finish aluminium bottom weight bar SG 10760 as standard (other shape options available). Integral 230V 50 Hz powered motor SG 11251 left / right side. Operation only via Silent Gliss Smart Gateway and associated components in conjunction with compatible third-party control systems. All wiring to be strictly in accordance with Silent Gliss wiring diagrams. Fabric to be chosen from the Silent Gliss fabric range, Price Group 1R / 2R / 3R.

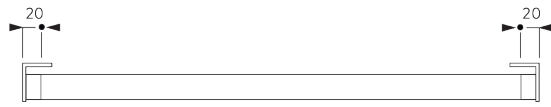
Silent Gliss SG 4970 Electrically Operated Roller Blind System with Series 40 motor. Roller blind system for heavy weight applications. Roller blind system for medium to large size blind applications up to 3.4m wide. Supplied made to measure and complete comprising anodised aluminium barrel SG 11037. Fixed to wall / ceiling / inside recess with brackets SG 11172 and bracket covers SG 11173. Brackets and hardware in white / grey / black finish. Assembled with powder coated white aluminium bottom weight bar SG 10760 as standard (other shape options available). Integral 24V DC (transformer not included) /100-240V AC 50/60Hz motor SG 11241 / SG 11244. Operation by dry contact switching either from fixed switch (not supplied) or third-party control system and/or SG Control L radio control system via integrated receiver. SG Control L components supplied at additional cost. All wiring to be strictly in accordance with Silent Gliss wiring diagrams. Fabric to be chosen from the Silent Gliss fabric range, Price Group 1R / 2R / 3R.

Silent Gliss SG 4970 Electrically Operated Roller Blind System with Series 20 motor. Roller blind system for medium to large size blind applications up to 3.4m wide. Supplied made to measure and complete comprising anodised aluminium barrel SG 11037. Fixed to wall / ceiling / inside recess with brackets SG 11172 and bracket covers SG 11173. Brackets and hardware in white / grey / black finish. Assembled with powder coated white aluminium bottom weight bar SG 10760 as standard (other shape options available). Integral 24V DC powered motor SG 10522 left / right side. Operation by mains switch (not supplied) or mains switching by third party control system or SG Control R remote control system, wireless controls at extra cost. All wiring to be strictly in accordance with Silent Gliss wiring diagrams. Fabric to be chosen from the Silent Gliss fabric range, Price Group 1R / 2R / 3R.

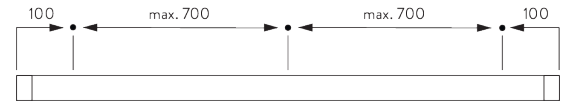
FITTING

A. FITTING INFORMATION

Fixing points

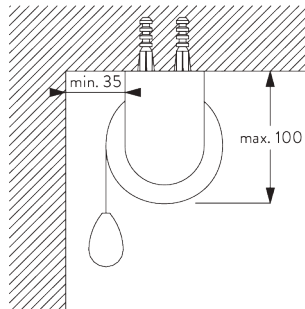


Brackets (wall / ceiling)

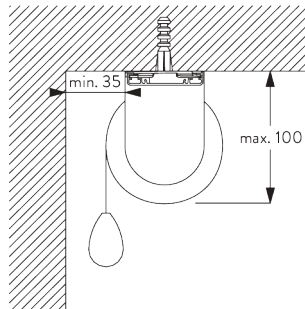


Fascia / box & installation profile SG 11181 (wall / ceiling)

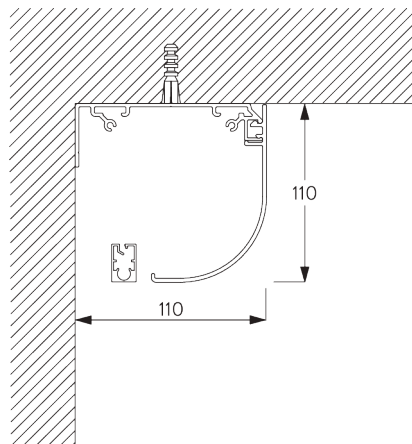
B. CEILING FITTING



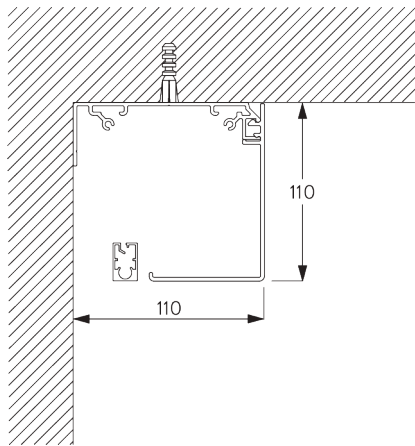
Brackets



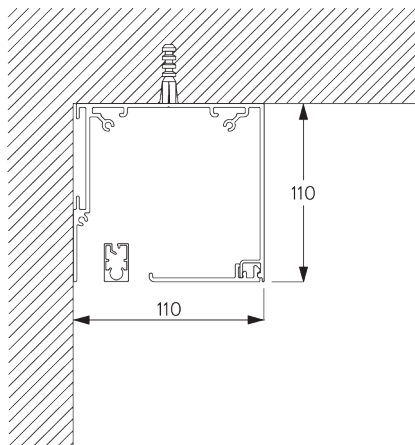
Installation profile SG 11181 and clamp SG 11180



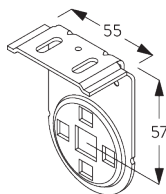
Fascia round



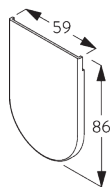
Fascia square



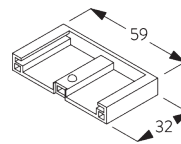
Box



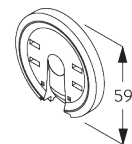
SG 11172
Bracket



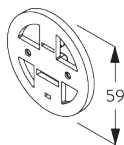
SG 11173
Bracket cover



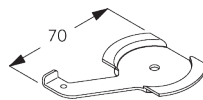
SG 11174
Bracket cover



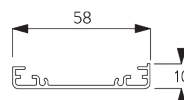
SG 11175
Click flange



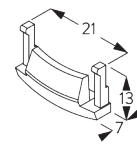
SG 11177
Motor support



SG 11180
Clamp

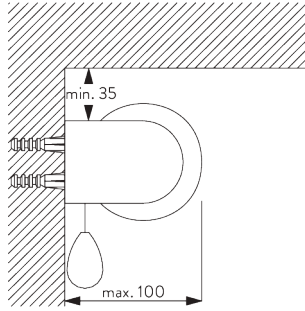


SG 11181
Installation profile

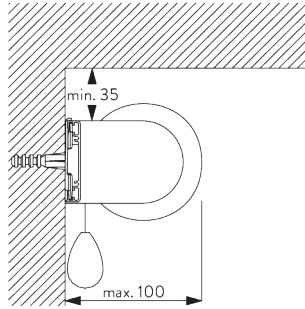


SG 11179
Cover

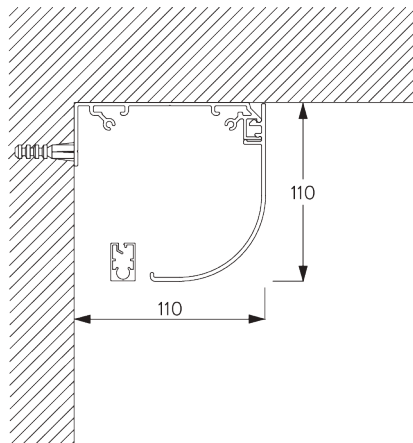
C. WALL FITTING



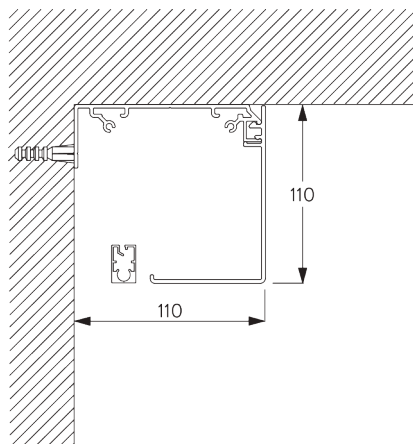
Brackets



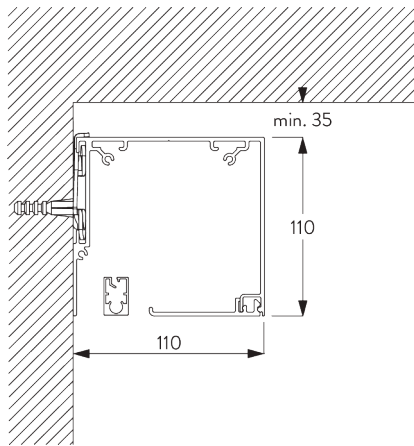
Installation profile SG 11181 and clamp SG 11180



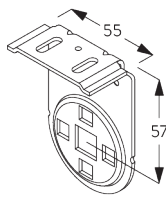
Fascia round



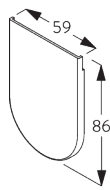
Fascia square



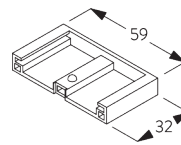
Box and clamp SG 11180



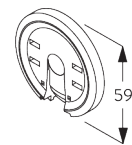
SG 11172
Bracket



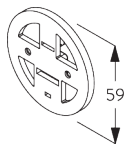
SG 11173
Bracket cover



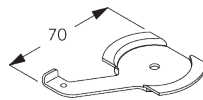
SG 11174
Bracket cover



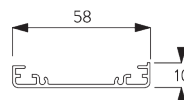
SG 11175
Click flange



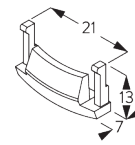
SG 11177
Motor support



SG 11180
Clamp

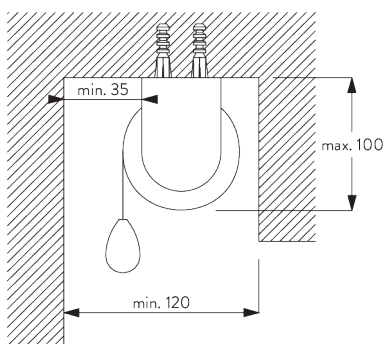


SG 11181
Installation profile

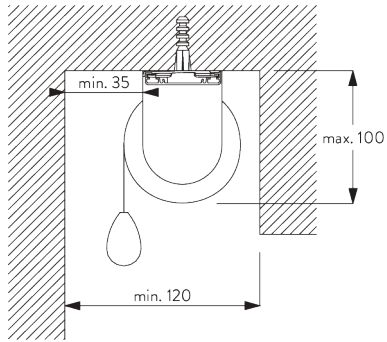


SG 11179
Cover

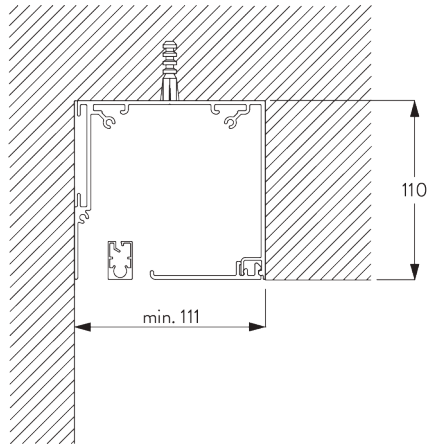
D. RECESS FITTING



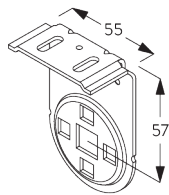
Brackets



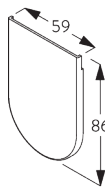
Installation profile SG 11181 and clamp SG 11180



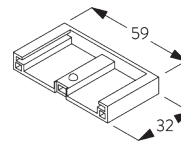
Box



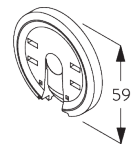
SG 11172
Bracket



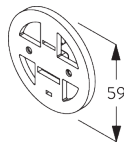
SG 11173
Bracket cover



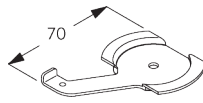
SG 11174
Bracket cover



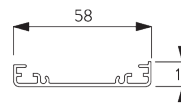
SG 11175
Click flange



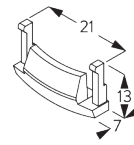
SG 11177
Motor support



SG 11180
Clamp

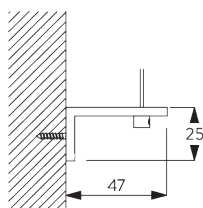


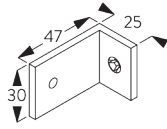
SG 11181
Installation profile



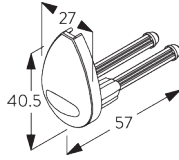
SG 11179
Cover

**E. FITTING WITH
SIDE GUIDE
OPTION**

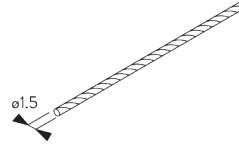




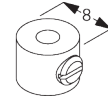
SG 3036
Bracket 47 mm



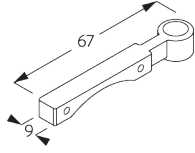
SG 4944
Side guide end cover



SG 4948
Side guide wire ø 1.5 mm



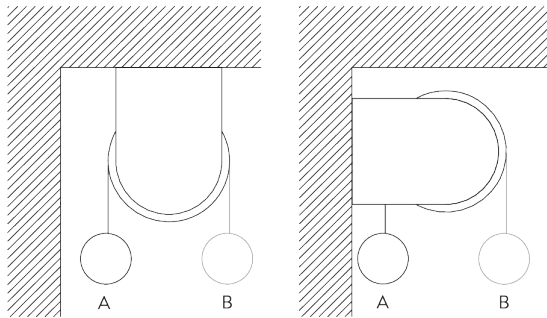
SG 8249
Side guide device



SG 1182
Side guide wire holder

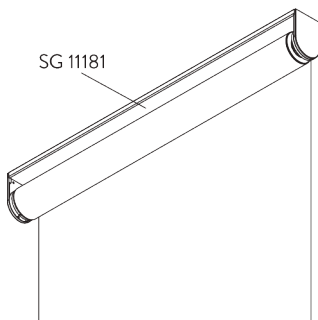
SYSTEM OPTIONS

A. FABRIC ROLL-OFF

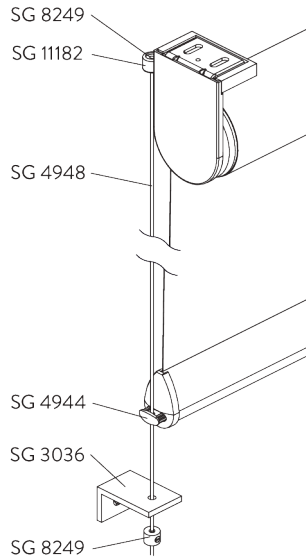


A: Fabric roll-off window side (standard)
B: Fabric roll-off room side (option)

B. INSTALLATION PROFILE



C. SIDE GUIDES



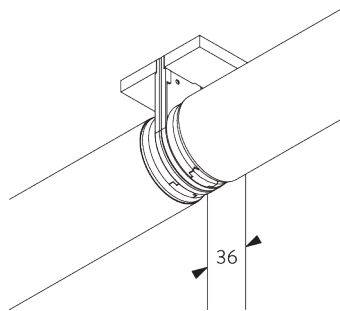
Additional parts:

- 2x SG 3036 Bracket
- 2x SG 4944 Side guide end cover
- 2x SG 4948 Side guide wire \varnothing 1.5 mm
- 4x SG 8249 Side guide device
- 2x SG 11182 Side guide wire holder

Note:

- Light gaps increase when side-guide option is used
- Up to 15° from vertical
- Only applicable with bottom bar SG 4903

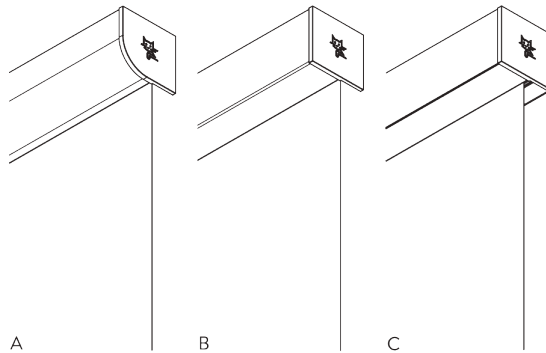
D. TWO CONNECTED SYSTEMS



Additional parts:

- 1x SG 11175 Click flange
- 1x SG 11183 Connecting bolt
- 2x SG 11184 Connection bracket cover
- 1x SG 11195 Connection tube adapter

E. FASCIA / BOX



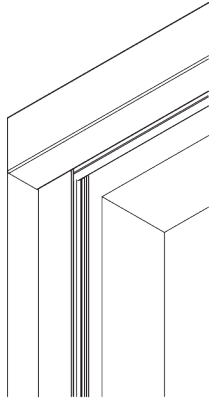
- A: Fascia round
- B: Fascia square
- C: Box

Size

- 110 x 110 mm

Note:

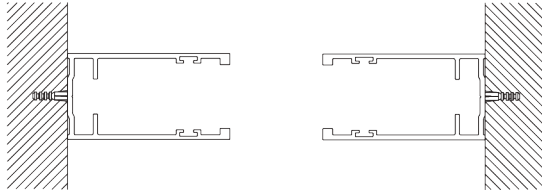
- Only applicable with bottom bar SG 10770
- Not possible with connected systems
- Two systems with one Fascia possible upon request



Optional side guide channels SG 11542 to be used with Fascia or Box.

Note:

- Only applicable with inside fitting
- Box: only recess fitting



MOTORS & CONTROLS

A. MOTOR FEATURES

	50-Series	40-Series	20-Series
Motors	SG 11251	SG 11241 SG 11244	SG 10422 SG 10522
Motor Features			
Soft stop	•	•	•
Electronic end-stop	•	•	•
Electronic revolution counter (unlimited revolution)	•	•	•
Mechanical end-stop			
Mechanical revolution counter (limited revolution)			
Two intermediate positions possible		•	
Bottom bar alignment	•	•	
Noiseless stop			•
Parallel wiring possible without additional relays		•	•
Disconnectable motor cable	•	•	•
IP class	IP 30	IP 30	IP 44
Control Features			
Mains power control			•
Dry contact control		•	
Dry contact and / or SG Control L control		•	
SG Control L (built-in receiver)		•	
SG Control R (external receiver required)			•
Smart by Silent Gliss	•		
Suitable for most major home automation systems (with suitable interface)		•	•

B. MOTOR SPECIFICATIONS

Motors	Light gaps* C / D= driving side	Min. system width	Voltage	Current	Frequency	Speed	Frequency receiver
50-Series (Smart by Silent Gliss)							
SG 11251	C: 18 mm / D: 26 mm	65 cm	24 V DC	1.5 A	n/a	32 rpm	n/a
40-Series							
SG 11241	C: 18 mm / D: 26 mm	87 cm	100-240 V AC	0.6 A	50-60 Hz	32 rpm	868 MHz
SG 11244	C: 18 mm / D: 26 mm	65 cm	24 V DC	1.5 A	n/a	32 rpm	868 MHz
20-Series							
SG 10422	C: 18 mm / D: 25 mm	65 cm	120 V AC	1.1 A	50 Hz	36 rpm	n/a
SG 10522 (standard)	C: 18 mm / D: 25 mm	65 cm	230 V AC	0.55 A	50 Hz	30 rpm	n/a

*Light gaps Fascia or Box: C +3 mm / D +2 mm (20-Series: C +2 mm / D +2 mm)

C. OPERATING METHODS

See catalogue "controls" for details.

Wall Switch



System can be operated by fixed wall switch.

SG Control L



Various radio hand-held and wall transmitters available.



Silent Gliss Move App.

SG Control R



Various radio hand-held and wall transmitters available.
An external receiver is required.

Smart by Silent Gliss



Open designed two-way communication system which allows to flawlessly integrate products with most major home control systems.

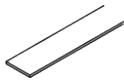
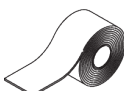
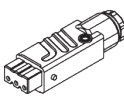




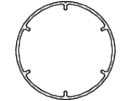
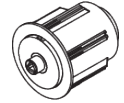


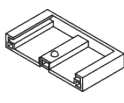


D. WIRING DIAGRAMS


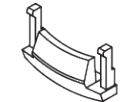




Refer to Silent Gliss website.

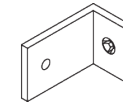
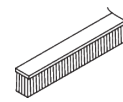

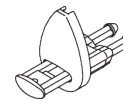

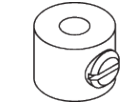
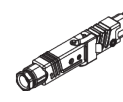
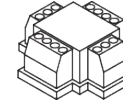
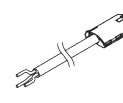
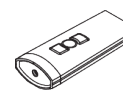
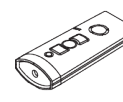
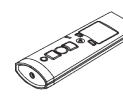

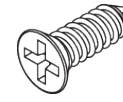
PARTS

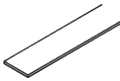
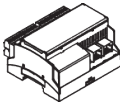


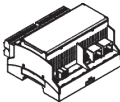


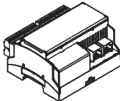


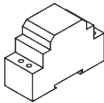


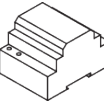


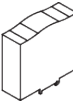
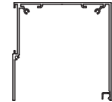



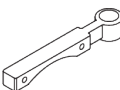


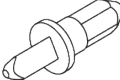
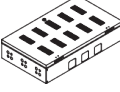


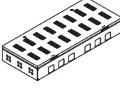
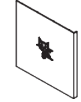
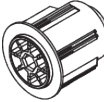
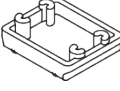


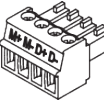
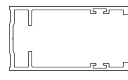



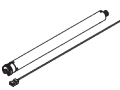


A. STANDARD PARTS

	SG 4223 PVC strip 14 mm
	SG 4226 Double tape 30 mm
	SG 9917 Hirschmann portable socket-outlet STAK 3 N
	SG 10284 O-Ring
	SG 10522 Motor 230V AC, 20-Series 3/30
	SG 10760 Bottom bar
	SG 10761 End cover
	SG 11037 Tube ø 60 mm
	SG 11165 Tube adapter
	SG 11172 Bracket
	SG 11173 Bracket cover
	SG 11174 Bracket cover
	SG 11175 Click flange
	SG 11176 Tube adapter

	SG 11177 Motor support
	SG 11179 Cover
	SG 11323 PT Screw Countersunk KA35x12 WN 1413
	SG 11358 Motor drive 10/20-Series

B. OPTIONAL PARTS

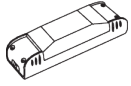
	SG 3036 Bracket 47 mm
	SG 4508 Brush 5x7 mm
	SG 4903 Bottom bar
	SG 4944 Side guide end cover
	SG 4948 Side guide wire ø 1.5 mm
	SG 8249 Side guide device
	SG 9916 Hirschmann plug set
	SG 9959 Central control unit relay
	SG 10293 Cable 230V AC, 2/3/5/10 m
	SG 10300 Radio hand held 1 channel
	SG 10302 Radio hand held 5+1 channel
	SG 10303 Radio hand held 10+2+1 channel
	SG 10422 Tubular motor 120V AC, 20 Series 3/36, UL
	SG 10498 Countersunk screw 2.9x9.5

	SG 10668 PVC strip 10 mm		SG 11260 Gateway Cedia		SG 11480 Radio wall transmitter 1 channel
	SG 10770 Bottom bar		SG 11261 Gateway KNX		SG 11490 Radio wall transmitter 5+1 channel
	SG 10771 End cover		SG 11262 Expansion unit		SG 11530 Installation profile fascia 110 mm
	SG 10804 Radio hand held 15+5+1 channel		SG 11263 Power supply 24V DC, 2.5A DIN Rail		SG 11531 Fascia round 110 mm
	SG 11178 End cover		SG 11264 Power supply 24V DC, 3.8A DIN Rail		SG 11532 Fascia square 110 mm
	SG 11180 Clamp		SG 11265 Power supply 24V DC, 5A DIN Rail		SG 11533 Box case 110 mm
	SG 11181 Installation profile		SG 11266 Power supply 24V DC, 10A DIN Rail		SG 11534 Box cover 110 mm
	SG 11182 Side guide wire holder		SG 11281 Cabinet for 8 systems		SG 11537 Bracket cover round left 110 mm
	SG 11183 Connection bolt		SG 11282 Cabinet for 24 systems		SG 11538 Bracket cover round right 110 mm
	SG 11184 Connection bracket cover		SG 11283 Cabinet for 56 systems		SG 11539 Bracket cover square left 110 mm
	SG 11195 Connection tube adapter		SG 11311 Bracket spacer		SG 11540 Bracket cover square right 110 mm
	SG 11241 Tubular motor 100-240V AC, 40-Series 3/32, radio receiver		SG 11319 Plug 4-pin, MC 1.5/4-ST-3.81		SG 11542 Side guide channel
	SG 11244 Tubular motor 24V DC, 40 Series 3/32, radio receiver		SG 11360 Motor drive 40/50-Series		SG 11544 Bracket left 110 mm
	SG 11251 Motor 24V DC, 50-Series 3/32		SG 11460 Cover for Hirschmann plug		SG 11545 Bracket right 110 mm



SG 20336

Hand held transmitter 8 channel



SG 20907

Control module motor type R



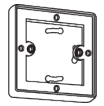
SG 20913

Wall switch single channel



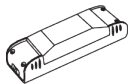
SG 20914

Wall switch 8 channel



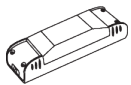
SG 20917

Pattress box



SG 20918

Control module motor type A,AA



SG 20919

Control module motor type R
