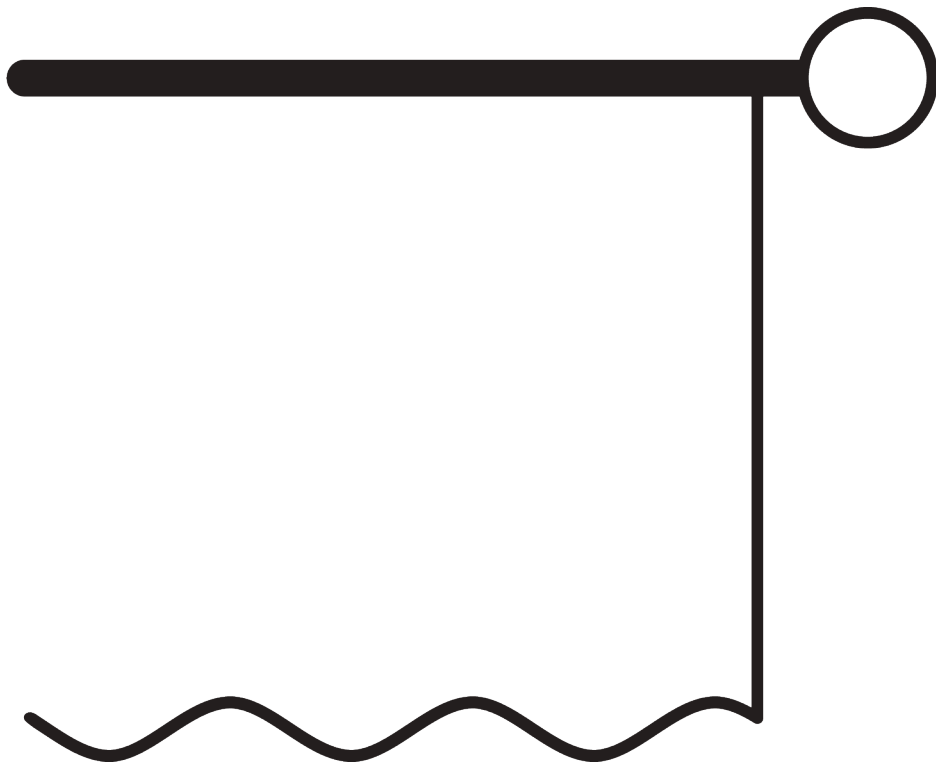


METROPOLE



GENERAL NOTES

Dimensions

- Measurements are in mm except where indicated.
- Max. kg relates to fabric incl. accessories.
- Stack size depends on curtain make-up and fabric thickness.
- Distance between gliders max. 80 mm / distance between rollers max. 100 mm.
- Recommended distance floor / fabric: 20 mm.
- In order to determine system height (B), the smallest room height must be taken into account.






















Fitting

- Installation by qualified fitter only.
- Number of brackets and fitting positions / fixing points vary depending on fitting surface, system weight, fabric make-up, screw / fixing type and obstacles.
- Qualified fitter must use appropriate screws / fixings for each situation.
- Profile lip if applicable to be installed to room side.

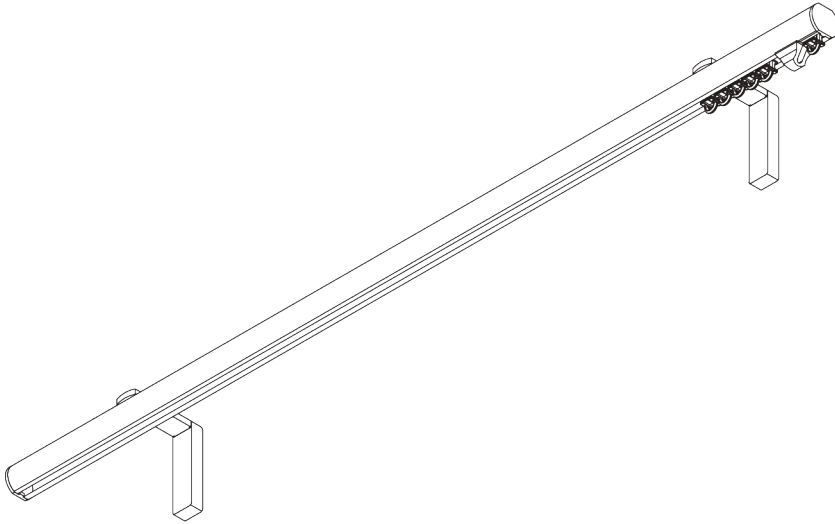
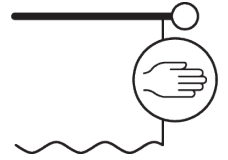
Child Safety

- All relevant Silent Gliss systems correspond to child safety EN 13120.
- All parties involved must comply with EN 13120.

APPLICATION CHART

<u>PAGE</u>	<u>SYSTEM</u>	<u>OPERATION</u>	<u>DIMENSION</u>	<u>DESIGN</u>	<u>WAVE</u>	← max. →	kg _{max.}
5	SG 7600		S				
17	SG 7605		S - M				
27	SG 7610		S - M				
39	SG 7620		M - L				
51	SG 7630		S - M			6 m	13 kg
63	SG 7640		M - L			6 m	13 kg
75	SG 7650		S - L			6 m	45 kg

SG 7600



PRODUCT INFORMATION

- **Operation:** hand
- **Range:** S
- **Fitting:** ceiling, wall
- **Colours:** white RAL 9016, various colours / finishes
- **Fabrics:** refer to Silent Gliss fabric collection

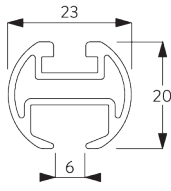
Features:

- 2-component (2C) glider technology
- Wave (2C)
- Matching endcaps and brackets / bracket covers
- Range of decorative finials
- Bendable

SYSTEM SPECIFICATIONS

A. PROFILE

Profile and bending information

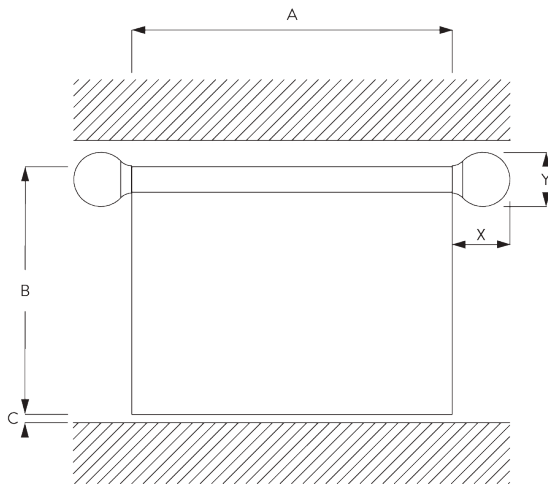


SG 11606

Profile

Radius:
✓ 15 cm, 20 cm, >25 cm

B. HOW TO MEASURE



A: System width without finials


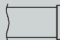





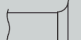

B: System height

C: Distance between floor and fabric

X: Finial width

Y: Finial height

Finial Measurements

		23 mm	
		X	Y
	SG 11602	2	23
	SG 11621	8	27
	SG 11622	14	38
	SG 11723	53	23
	SG 11724	55	40
	SG 11726	49	46
	SG 11727	89	37
	SG 11728	20	69
	SG 11729	18	46

C. SPECIFICATION

TEXT

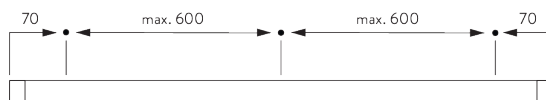
Silent Gliss SG 7600 'Metropole' hand operated curtain track system. Comprises 23 mm round aluminium profile SG 11606 supplied made to measure with gliders SG 11300 at 14/m, 2no. end stops SG 6065 and 2 no. flush end covers SG 11602. Straight poles supplied as standard with wall 'face' fix Smart Fix brackets SG 11206 at max. 600 mm centres. Optional wall fix brackets SG 11207-11208 / SG 11216-11218 / SG 11209 / SG 11472 / Fillet bracket SG 11669. Bent systems for wall 'face' fix supplied as standard with adjustable Smart Fix bracket SG 11209. Ceiling 'top' fix with plate SG 6151 / bracket SG 6175 / SG 11668 at max. 600 mm centres. Finished in White, Matt White, Ecru, Silver Anodised, Gunmetal, Charcoal and Chrome Effect. A range of decorative finials are available (limited range for Silver Anodised and Chrome). Silent Gliss Wave option is available using 60mm glider cord SG 11303 / 80 mm glider cord SG 11302.

FITTING

A. FITTING INFORMATION

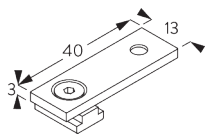
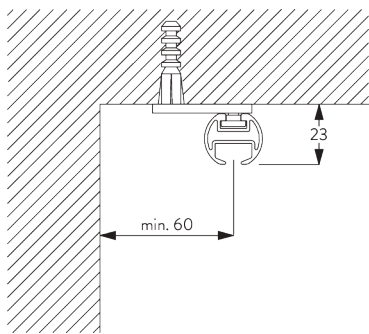
For detailed fitting information, visit the Silent Gliss website.

Fixing points



B. CEILING FITTING

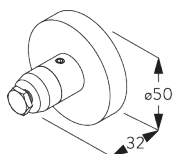
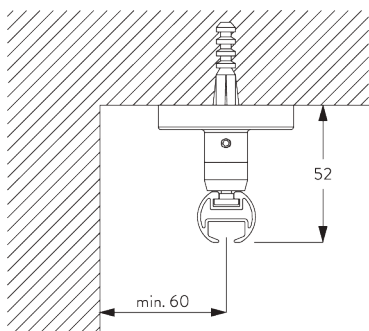
Support SG 6151



SG 6151

Ceiling support set 3 mm

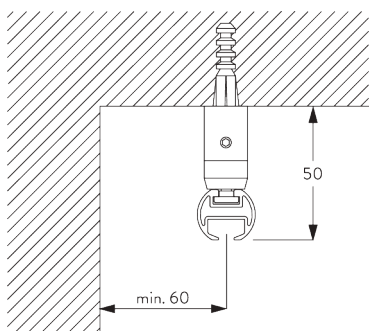
Top fix bracket SG 11668

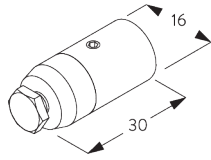


SG 11668

Top fix bracket

Mini hanger SG 6175



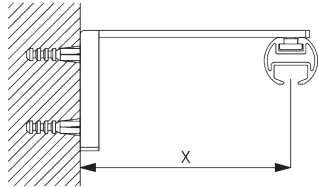


SG 6175

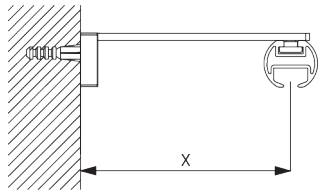
Mini hanger

C. WALL FITTING

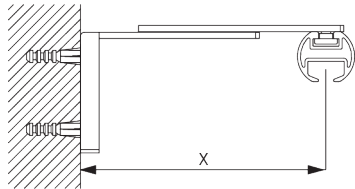
Smart Fix



Smart Fix with slot SG 11206 - SG 11208 and SG 6141:
Screw SG 6783 (M4x10) needed.

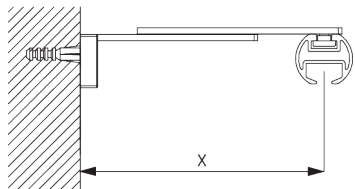


Square Smart Fix with slot SG 11216 - SG 11218 and SG 6141:
Screw SG 6783 (M4x10) needed.



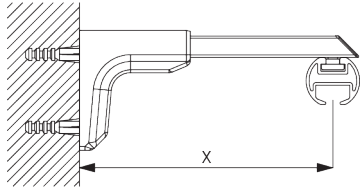
Adjustable Smart Fix SG 11209 and SG 6141:
Screw SG 6784 (M4x8) needed.

Note: all bent Metropole systems are supplied with adjustable bracket SG 11209 as standard.

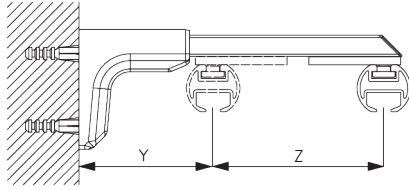


Adjustable Square Smart Fix SG 11472 and SG 6141:
Screw SG 6784 (M4x8) needed.

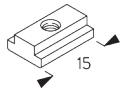
Smart Fix	X mm	Y mm	Z mm
SG 11206 / SG 11216	51		
SG 11207 / SG 11217	71		
SG 11208 / SG 11218	91		
SG 11209 / SG 11472	80-100		
SG 11154	102-130		
SG 11155	132-160	68	65-72
SG 11156	182-210	68	65-123



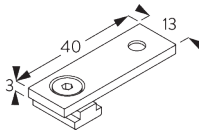
Universal Smart Fix SG 11154 - SG 11156 and SG 6141:
Screw SG 11131 (M4x6) needed.



Double System:
Universal Smart Fix SG 11155 - SG 11156 and SG 6151:
Screw SG 11127 (M4x10) and nut SG 11148 needed.



SG 6141
Clamping piece



SG 6151
Ceiling support set 3 mm



SG 6783
Hexagon socket countersunk screw M4x10 mm



SG 6784
Hexagon socket countersunk screw M4x8 mm



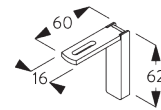
SG 11127
Countersunk head screw M4x10



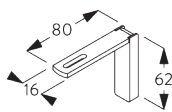
SG 11131
Pan head screw with flange M4x6



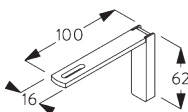
SG 11148
Nut



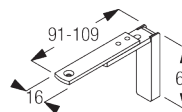
SG 11206
Smart Fix with slot 60 mm



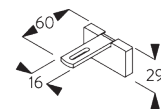
SG 11207
Smart Fix with slot 80 mm



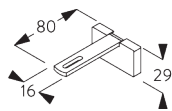
SG 11208
Smart Fix with slot 100 mm



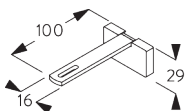
SG 11209
Adjustable Smart Fix



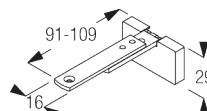
SG 11216
Square Smart Fix with slot 60 mm



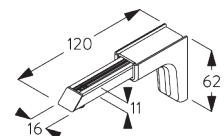
SG 11217
Square Smart Fix with slot 80 mm



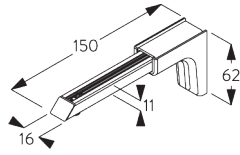
SG 11218
Square Smart Fix with slot 100 mm



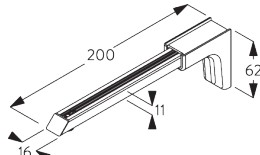
SG 11472
Adjustable Square Smart Fix



SG 11154
Universal Smart Fix 120 mm

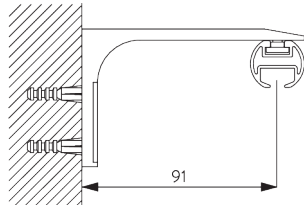


SG 11155
Universal Smart Fix 150 mm

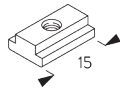


SG 11156
Universal Smart Fix 200 mm

Fillet Bracket SG 11669



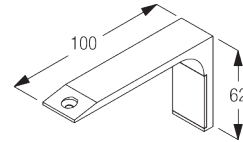
Screw SG 6784 (M4x8) needed.
Recommended for straight systems only.



SG 6141
Clamping piece



SG 6784
Hexagon socket countersunk
screw M4x8 mm



SG 11669
Fillet bracket

DESIGN & SYSTEM OPTIONS

A. ENDCAPS



SG 11602



SG 11621



SG 11622

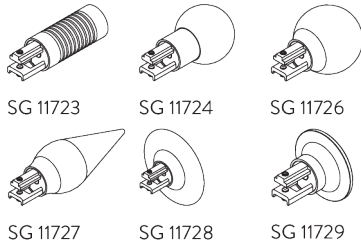
Endcaps:

- SG 11602 Flush endcap 23 mm
- SG 11621 Stud endcap 23 mm
- SG 11622 Design endcap 23 mm

Please note:

- Without finials, poles are supplied as standard with flush fitting endcaps SG 11602 (left).
- Alternatively, stud endcaps SG 11621 can be selected at no additional cost.

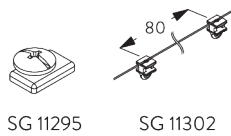
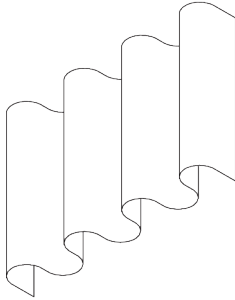
B. FINIALS



Finials are decorative elements that fit on at the end of the pole:

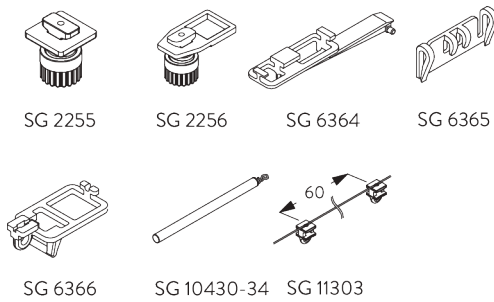
- SG 11723 Groove cylinder 23 mm
- SG 11724 Glass ball 23 mm
- SG 11726 Ball end 23 mm
- SG 11727 Spear 23 mm
- SG 11728 Ellipse 23 mm
- SG 11729 Taper 23 mm

C. WAVE



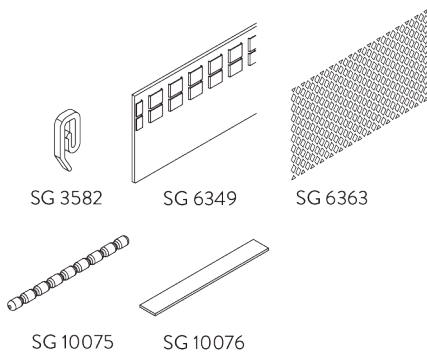
Standard components:

- SG 11295 End stop
- SG 11302 Wave 2C glider cord 80 mm



Optional components (min. Radius >25 cm):

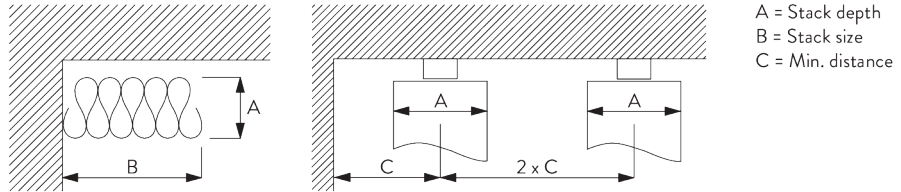
- SG 2255 Brake
- SG 2256 Brake
- SG 6364 Wave extension
- SG 6365 Wave hanger
- SG 6366 Wave carrier for draw rod
- SG 10430-34 Draw rod
- SG 11303 Wave 2C glider cord 60 mm



Curtain components:

- SG 3582 Hook
- SG 6349 Wave curtain tape
- SG 6363 Wave top hemming tape
- SG 10075 Lead weight 50 gr/m
- SG 10076 Fabric weigh

Wave stack depth - 2C glider cord (standard components)



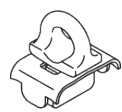
2C Glider cord SG 11302	Pockets between hooks	Approx. curtain fullness	Stack depth A	Stack size B*	Min distance C
80	6	~2.1	140	180 per metre of track	90
80	7	~2.3	160	180 per metre of track	100

2C Glider cord SG 11303	Pockets between hooks	Approx. curtain fullness	Stack depth A	Stack size B*	Min distance C
60	4	~2.1	100	230 per metre of track	70
60	5	~2.3	120	230 per metre of track	80

*Stack size B when using optional extension arm SG 6364 increases by 95 mm per curtain stack!

PARTS

A. STANDARD PARTS



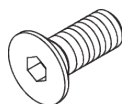
SG 6065

End stop



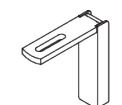
SG 6141

Clamping piece



SG 6783

Hexagon socket countersunk screw
M4x10 mm



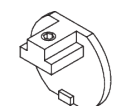
SG 11206

Smart Fix with slot 60 mm



SG 11300

2C glider



SG 11602

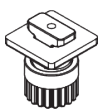
Flush end cap 23 mm



SG 11606

Profile

B. OPTIONAL PARTS



SG 2255

Brake



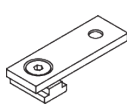
SG 2256

Brake



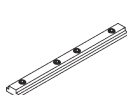
SG 3582

Hook



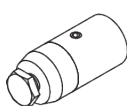
SG 6151

Ceiling support set 3 mm



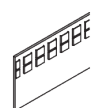
SG 6173

Connection bridge



SG 6175

Mini hanger



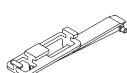
SG 6349

Wave curtain tape



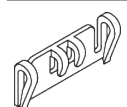
SG 6363

Wave top hemming tape



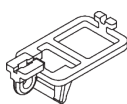
SG 6364

Wave extension



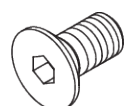
SG 6365

Wave hanger



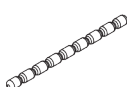
SG 6366

Wave carrier for draw rod



SG 6784

Hexagon socket countersunk screw
M4x8 mm



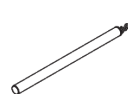
SG 10075

Lead weight 50 g/m



SG 10076

Fabric weight



SG 10430

Draw rod 50 cm



SG 10431

Draw rod 75 cm



SG 10432

Draw rod 100 cm



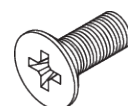
SG 10433

Draw rod 125 cm



SG 10434

Draw rod 150 cm



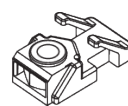
SG 11127

Countersunk head screw M4x10



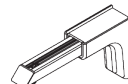
SG 11131

Pan head screw with flange M4x6



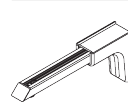
SG 11148

Nut



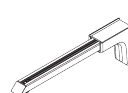
SG 11154

Universal Smart Fix 120 mm



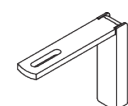
SG 11155

Universal Smart Fix 150 mm



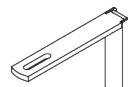
SG 11156

Universal Smart Fix 200 mm



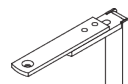
SG 11207

Smart Fix with slot 80 mm



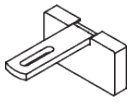
SG 11208

Smart Fix with slot 100 mm



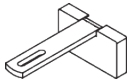
SG 11209

Adjustable Smart Fix



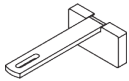
SG 11216

Square Smart Fix with slot 60 mm



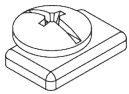
SG 11217

Square Smart Fix with slot 80 mm



SG 11218

Square Smart Fix with slot 100 mm



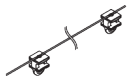
SG 11295

End stop



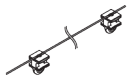
SG 11301

2C glider on strip



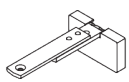
SG 11302

Wave 2C glider cord 80 mm



SG 11303

Wave 2C glider cord 60 mm



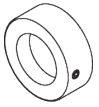
SG 11472

Adjustable Square Smart Fix



SG 11621

Stud endcap 23 mm



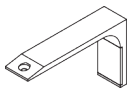
SG 11622

Design endcap 23 mm



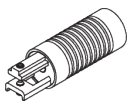
SG 11668

Top fix bracket



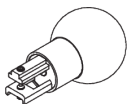
SG 11669

Fillet bracket



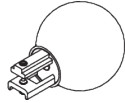
SG 11723

Groove cylinder 23 mm



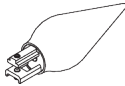
SG 11724

Glass ball 23 mm



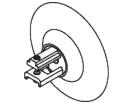
SG 11726

Ball end 23 mm



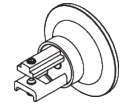
SG 11727

Spear 23 mm



SG 11728

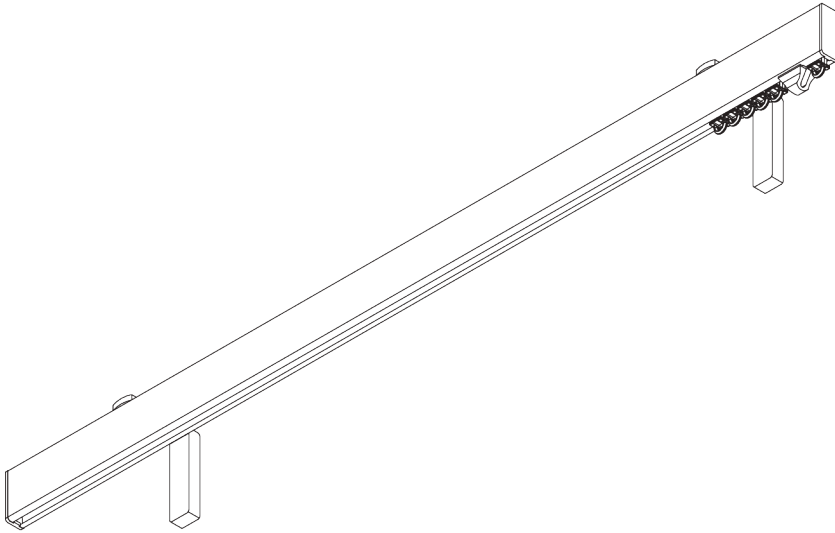
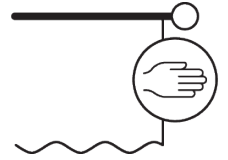
Ellipse 23 mm



SG 11729

Taper 23 mm

SG 7605



PRODUCT INFORMATION

- **Operation:** hand
- **Range:** S - M
- **Fitting:** ceiling, wall
- **Colours:** white RAL 9016, various colours / finishes
- **Fabrics:** refer to Silent Gliss fabric collection

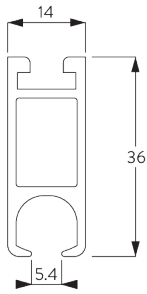
Features:

- 2-component (2C) glider technology
- Wave (2C)
- Matching endcaps and brackets / bracket covers
- Bendable

SYSTEM SPECIFICATIONS

A. PROFILE

Profile and bending information

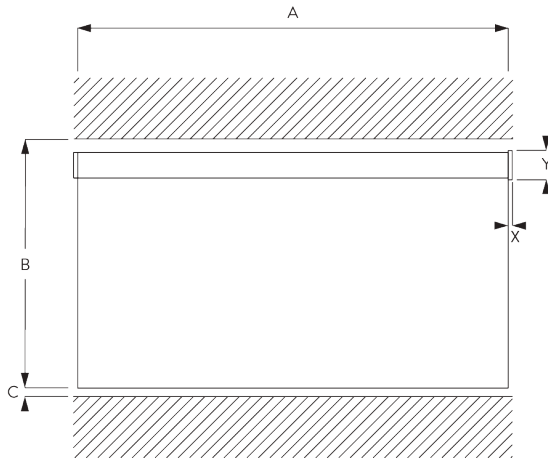


SG 6101

Profile

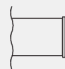

Radius:
20 cm, >25 cm

B. HOW TO MEASURE



A: System width without endcaps
B: System height
C: Distance between floor and fabric
X: Endcap width
Y: Endcap height

Endcap Measurements

		36 mm	
		X	Y
	SG 11601	2	36
	SG 11611	5	40

C. SPECIFICATION TEXT

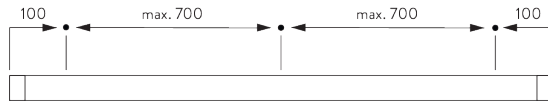
Silent Gliss SG 7605 'Metropole' hand operated curtain track system. Comprises 36mm h x 14 mm d aluminium profile SG 6100 supplied made to measure with 2C gliders SG 11300 at 14/m, 2 end flush covers SG 11601 and 2 no. end stops SG 6065. Straight poles supplied as standard with wall 'face' fix Smart Fix brackets SG 11206 at max. 600 mm centres. Optional wall fix brackets SG 11207-11208 / SG 11216-11218 / SG 11209 / SG 11472 / Fillet bracket SG 11669. Bent systems for wall 'face' fix supplied as standard with adjustable Smart Fix bracket SG 11209. Ceiling 'top' fix with plate SG 6151 / bracket SG 6175 / SG 11668 at max. 600 mm centres. Finished in Antique Bronze, Gunmetal, Black, Charcoal, Anodic Grey, Slate Grey, Matt White, White, Chrome Effect or Silver Anodised. Matching Flush and Stud endcaps available. Silent Gliss Wave option is available using 60mm glider cord SG 11303/80 mm glider cord SG 11302 / 80 mm roller glider cord SG 6099.

FITTING

A. FITTING INFORMATION

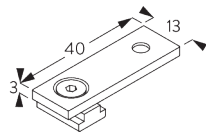
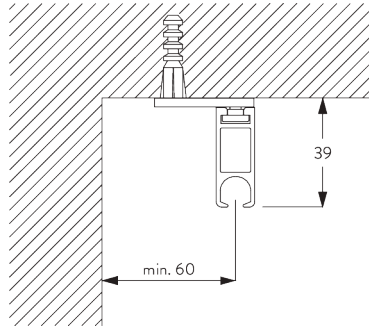
For detailed fitting information, visit the Silent Gliss website.

Fixing points



B. CEILING FITTING

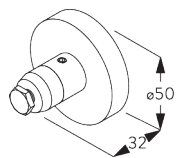
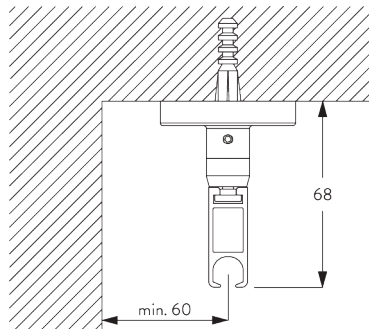
Support SG 6151



SG 6151

Ceiling support set 3 mm

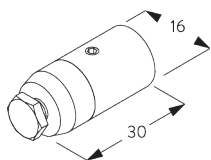
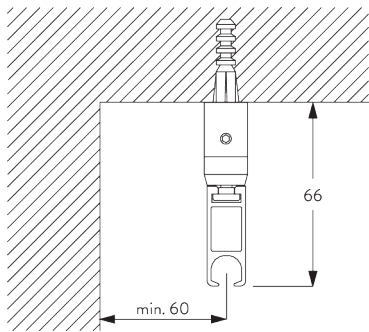
Top fix bracket SG 11668



SG 11668

Top fix bracket

Mini hanger SG 6175

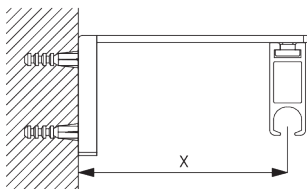


SG 6175

Mini hanger

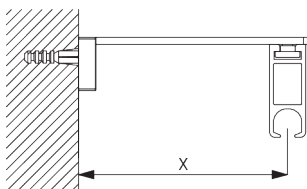
C. WALL FITTING

Smart Fix



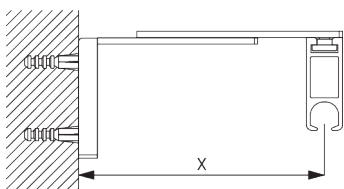
Smart Fix with slot SG 11206 - SG 11208 and SG 6141:

Screw SG 6783 (M4x10) needed.



Square Smart Fix with slot SG 11216 - SG 11218 and SG 6141:

Screw SG 6783 (M4x10) needed.

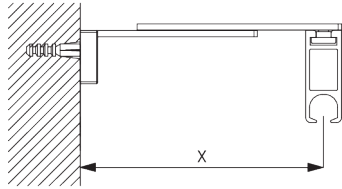


Adjustable Smart Fix SG 11209 and SG 6141:

Screw SG 6784 (M4x8) needed.

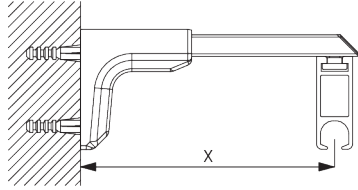
Note: all bent Metropole systems are supplied with adjustable bracket SG 11209 as standard.

Smart Fix	X mm	Y mm	Z mm
SG 11206 / SG 11216	51		
SG 11207 / SG 11217	71		
SG 11208 / SG 11218	91		
SG 11209 / SG 11472	80-100		
SG 11154	102-130		
SG 11155	132-160	68	65-72
SG 11156	182-210	68	65-123



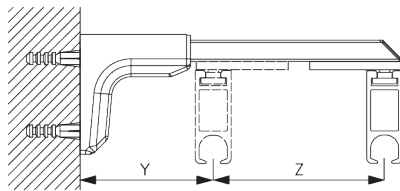
Adjustable Square Smart Fix SG 11472 and SG 6141:

Screw SG 6784 (M4x8) needed.



Universal Smart Fix SG 11154 - SG 11156 and SG 6141:

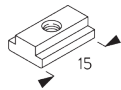
Screw SG 11131 (M4x6) needed.



Double System:

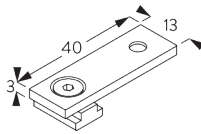
Universal Smart Fix SG 11155 - SG 11156 and SG 6151:

Screw SG 11127 (M4x10) and nut SG 11148 needed



SG 6141

Clamping piece



SG 6151

Ceiling support set 3 mm



SG 6783

Hexagon socket countersunk screw M4x10 mm



SG 6784

Hexagon socket countersunk screw M4x8 mm



SG 11127

Countersunk head screw M4x10



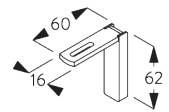
SG 11131

Pan head screw with flange M4x6



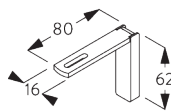
SG 11148

Nut



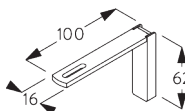
SG 11206

Smart Fix with slot 60 mm



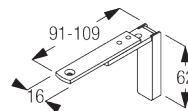
SG 11207

Smart Fix with slot 80 mm



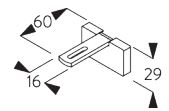
SG 11208

Smart Fix with slot 100 mm



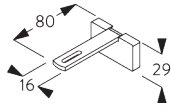
SG 11209

Adjustable Smart Fix

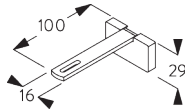


SG 11216

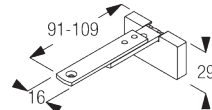
Square Smart Fix with slot 60 mm



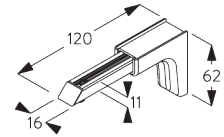
SG 11217
Square Smart Fix with slot 80 mm



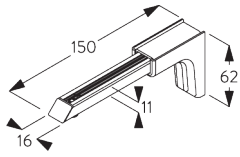
SG 11218
Square Smart Fix with slot 100 mm



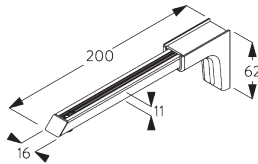
SG 11472
Adjustable Square Smart Fix



SG 11154
Universal Smart Fix 120 mm

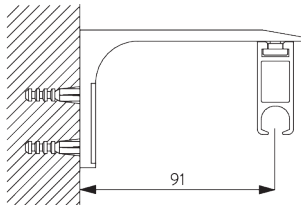


SG 11155
Universal Smart Fix 150 mm

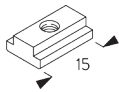


SG 11156
Universal Smart Fix 200 mm

Fillet Bracket SG 11669



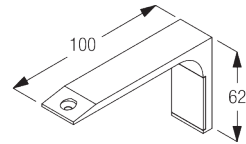
Screw SG 6784 (M4x8) needed.
Recommended for straight systems only.



SG 6141
Clamping piece



SG 6784
Hexagon socket countersunk
screw M4x8 mm



SG 11669
Fillet bracket

DESIGN & SYSTEM OPTIONS

A. ENDCAPS



SG 11601

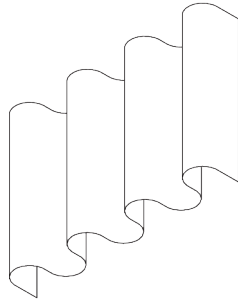


SG 11611

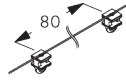
Please note:

- Poles are supplied as standard with flush fitting endcaps SG 11601 (left).
- Alternatively, stud endcaps SG 11611 (right) can be selected at no additional cost.

B. WAVE



SG 11295



SG 11302

Standard components:

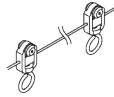
- SG 11295 End stop
- SG 11302 Wave 2C glider cord 80 mm



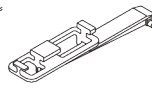
SG 2255



SG 2256



SG 6099



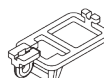
SG 6364

Optional components (min. Radius >25 cm):

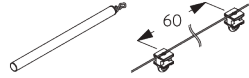
- SG 2255 Brake
- SG 2256 Brake
- SG 6099 Wave roller cord 80 mm
- SG 6364 Wave extension
- SG 6365 Wave hanger
- SG 6366 Wave carrier for draw rod
- SG 10430-34 Draw rod
- SG 11303 Wave 2C glider cord 60 mm



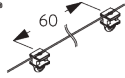
SG 6365



SG 6366



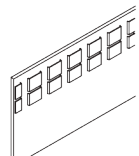
SG 10430-34



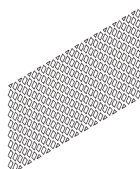
SG 11303



SG 3582



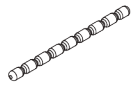
SG 6349



SG 6363

Curtain components:

- SG 3582 Hook
- SG 6349 Wave curtain tape
- SG 6363 Wave top hemming tape
- SG 10075 Lead weight 50 gr/m
- SG 10076 Fabric weigh

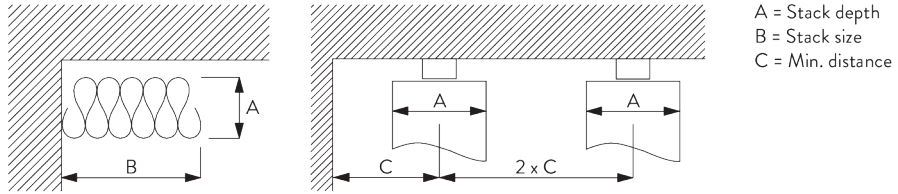


SG 10075



SG 10076

Wave stack depth - 2C glider cord (standard components)





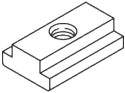
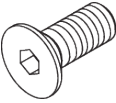
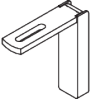

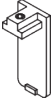
2C Glider cord SG 11302	Pockets between hooks	Approx. curtain fullness	Stack depth A	Stack size B*	Min distance C
80	6	~2.1	140	180 per metre of track	90
80	7	~2.3	160	180 per metre of track	100

2C Glider cord SG 11303	Pockets between hooks	Approx. curtain fullness	Stack depth A	Stack size B*	Min distance C
60	4	~2.1	100	230 per metre of track	70
60	5	~2.3	120	230 per metre of track	80

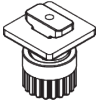
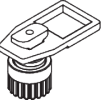

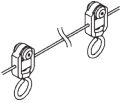
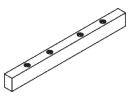
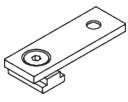
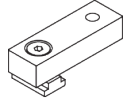
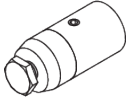
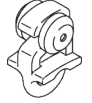
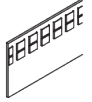

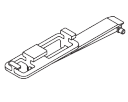
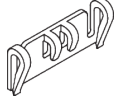
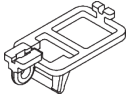
*Stack size B when using optional extension arm SG 6364
increases by 95 mm per curtain stack!

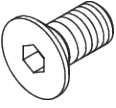

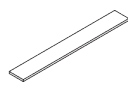
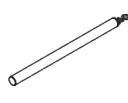
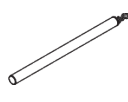
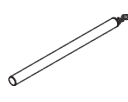
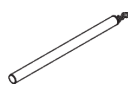
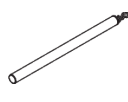
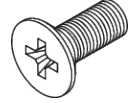

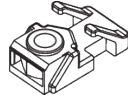
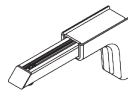
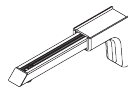
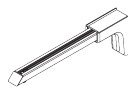
PARTS

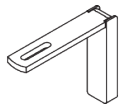
A. STANDARD PARTS

	SG 6065 End stop
	SG 6101 Profile
	SG 6141 Clamping piece
	SG 6783 Hexagon socket countersunk screw M4x10 mm
	SG 11206 Smart Fix with slot 60 mm
	SG 11300 2C glider
	SG 11601 Flush end cap 36 mm

B. OPTIONAL PARTS

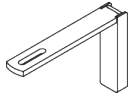
	SG 2255 Brake
	SG 2256 Brake
	SG 3582 Hook
	SG 6099 Wave roller cord 80 mm
	SG 6112 Connection bridge
	SG 6151 Ceiling support set 3 mm
	SG 6152 Ceiling support set 9 mm
	SG 6175 Mini hanger
	SG 6283 Roller
	SG 6349 Wave curtain tape
	SG 6363 Wave top hemming tape
	SG 6364 Wave extension
	SG 6365 Wave hanger
	SG 6366 Wave carrier for draw rod

	SG 6784 Hexagon socket countersunk screw M4x8 mm
	SG 10075 Lead weight 50 g/m
	SG 10076 Fabric weight
	SG 10430 Draw rod 50 cm
	SG 10431 Draw rod 75 cm
	SG 10432 Draw rod 100 cm
	SG 10433 Draw rod 125 cm
	SG 10434 Draw rod 150 cm
	SG 11127 Countersunk head screw M4x10
	SG 11131 Pan head screw with flange M4x6
	SG 11148 Nut
	SG 11154 Universal Smart Fix 120 mm
	SG 11155 Universal Smart Fix 150 mm
	SG 11156 Universal Smart Fix 200 mm



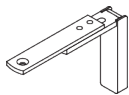
SG 11207

Smart Fix with slot 80 mm



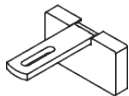
SG 11208

Smart Fix with slot 100 mm



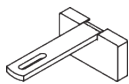
SG 11209

Adjustable Smart Fix



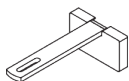
SG 11216

Square Smart Fix with slot 60 mm



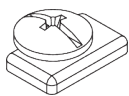
SG 11217

Square Smart Fix with slot 80 mm



SG 11218

Square Smart Fix with slot 100 mm



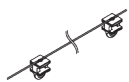
SG 11295

End stop



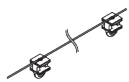
SG 11301

2C glider on strip



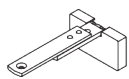
SG 11302

Wave 2C glider cord 80 mm



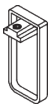
SG 11303

Wave 2C glider cord 60 mm



SG 11472

Adjustable Square Smart Fix



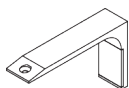
SG 11611

Stud endcap 36 mm



SG 11668

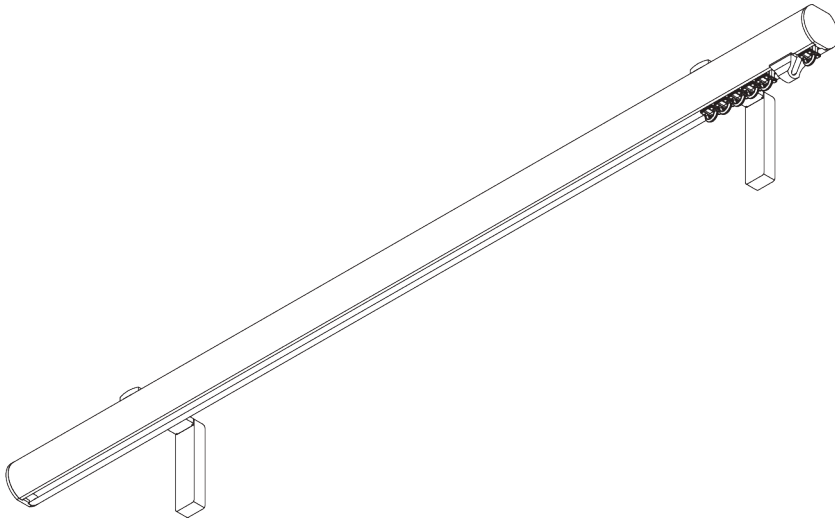
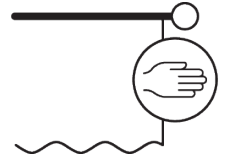
Top fix bracket



SG 11669

Fillet bracket

SG 7610



PRODUCT INFORMATION

- **Operation:** hand
- **Range:** S - M
- **Fitting:** ceiling, wall
- **Colours:** white RAL 9016, various colours / finishes
- **Fabrics:** refer to Silent Gliss fabric collection

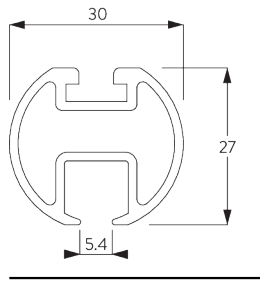
Features:

- 2-component (2C) glider technology
- Wave (2C)
- Matching endcaps and brackets / bracket covers
- Range of decorative finials
- Bendable

SYSTEM SPECIFICATIONS

A. PROFILE

Profile and bending information

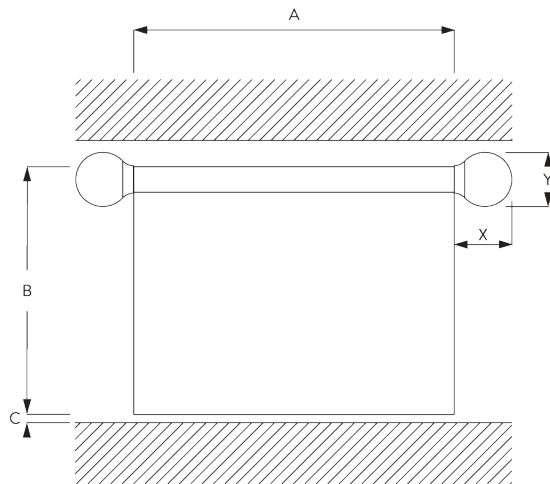


SG 6103p

Profile



B. HOW TO MEASURE



A: System width without finials

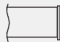
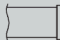

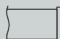

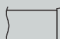

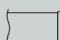

B: System height

C: Distance between floor and fabric

X: Finial width

Y: Finial height

Finial Measurements

		30 mm	
		X	Y
	SG 11603	2	30
	SG 11631	10	34
	SG 11632	18	50
	SG 11743	69	30
	SG 11744	66	50
	SG 11746	64	60
	SG 11747	116	48
	SG 11748	26	90
	SG 11749	20	60

C. SPECIFICATION

TEXT

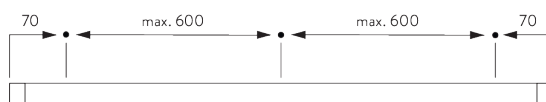
Silent Gliss SG 7610 'Metropole' hand operated curtain track system. Comprises 30 mm aluminium profile SG 6103 supplied made to measure with 2C gliders SG 11300 at 14/m, 2 no. flush end covers SG 11603 and 2 no. end stops SG 6065. Straight poles supplied as standard with wall 'face' fix Smart Fix brackets SG 11206 at max. 600 mm centres. Optional wall fix brackets SG 11207-11208 / SG 11216-11218 / SG 11209 / SG 11472 / Fillet bracket SG 11669. Bent systems for wall 'face' fix supplied as standard with adjustable Smart Fix bracket SG 11209. Ceiling 'top' fix with plate SG 6151 / bracket SG 6175 / SG 11668 at max. 600 mm centres. Finished in Ecru, Bronze, Antique Bronze, Gunmetal, Black, Charcoal, Anodic Grey, Slate Grey, Matt White, White, Sand, Ochre, Chrome Effect, Anodised Silver or Taupe. A range of decorative finials are available (limited range for Silver Anodised and Chrome). Silent Gliss Wave option is available using 60mm glider cord SG 11303 / 80 mm glider cord SG 11302 / 80 mm roller glider cord SG 6099.

FITTING

A. FITTING INFORMATION

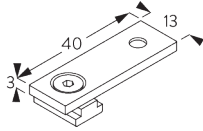
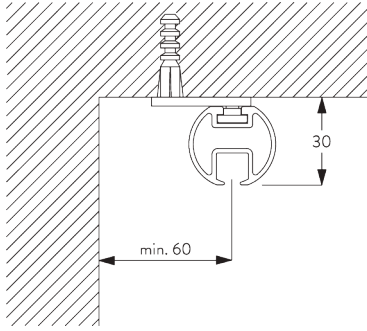
Fixing points

For detailed fitting information, visit the [Silent Gliss website](#).



B. CEILING FITTING

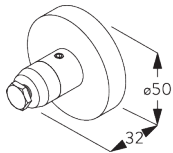
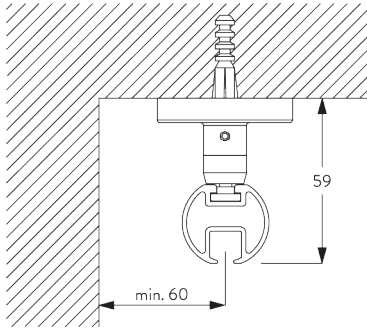
Support SG 6151



SG 6151

Ceiling support set 3 mm

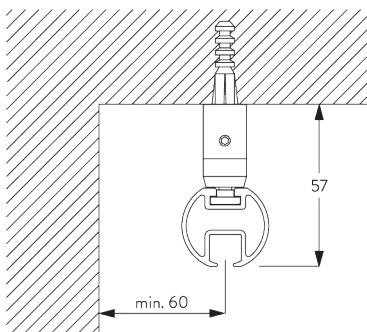
Top fix bracket SG 11668

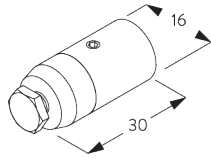


SG 11668

Top fix bracket

Mini hanger SG 6175



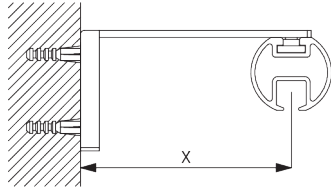


SG 6175

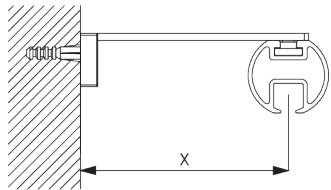
Mini hanger

C. WALL FITTING

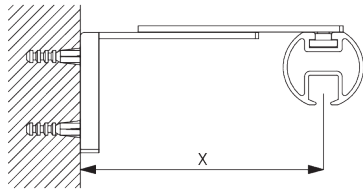
Smart Fix



Smart Fix with slot SG 11206 - SG 11208 and SG 6141:
Screw SG 6783 (M4x10) needed.

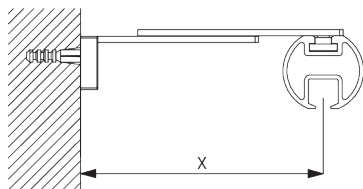


Square Smart Fix with slot SG 11216 - SG 11218 and SG 6141:
Screw SG 6783 (M4x10) needed.



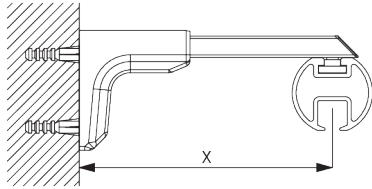
Adjustable Smart Fix SG 11209 and SG 6141:
Screw SG 6784 (M4x8) needed.

Note: all bent Metropole systems are supplied with adjustable bracket SG 11209 as standard.

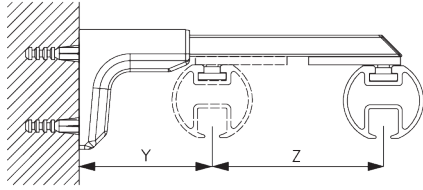


Adjustable Square Smart Fix SG 11472 and SG 6141:
Screw SG 6784 (M4x8) needed.

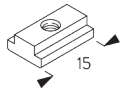
Smart Fix	X mm	Y mm	Z mm
SG 11206 / SG 11216	51		
SG 11207 / SG 11217	71		
SG 11208 / SG 11218	91		
SG 11209 / SG 11472	80-100		
SG 11154	102-130		
SG 11155	132-160	68	65-72
SG 11156	182-210	68	65-123



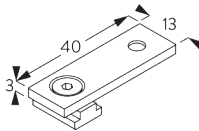
Universal Smart Fix SG 11154 - SG 11156 and SG 6141:
Screw SG 11131 (M4x6) needed.



Double System:
Universal Smart Fix SG 11155 - SG 11156 and SG 6151:
Screw SG 11127 (M4x10) and nut SG 11148 needed



SG 6141
Clamping piece



SG 6151
Ceiling support set 3 mm



SG 6783
Hexagon socket countersunk screw M4x10 mm



SG 6784
Hexagon socket countersunk screw M4x8 mm



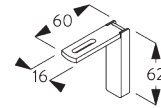
SG 11127
Countersunk head screw M4x10



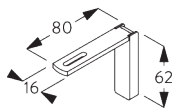
SG 11131
Pan head screw with flange M4x6



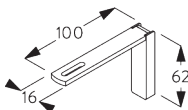
SG 11148
Nut



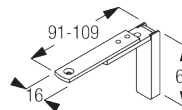
SG 11206
Smart Fix with slot 60 mm



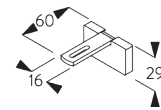
SG 11207
Smart Fix with slot 80 mm



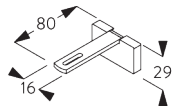
SG 11208
Smart Fix with slot 100 mm



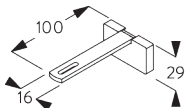
SG 11209
Adjustable Smart Fix



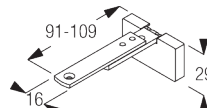
SG 11216
Square Smart Fix with slot 60 mm



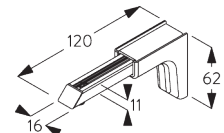
SG 11217
Square Smart Fix with slot 80 mm



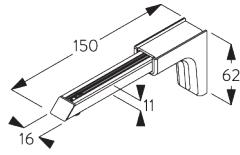
SG 11218
Square Smart Fix with slot 100 mm



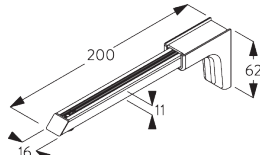
SG 11472
Adjustable Square Smart Fix



SG 11154
Universal Smart Fix 120 mm

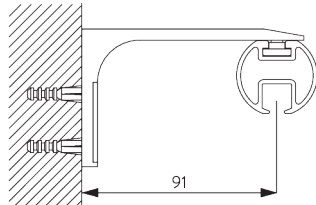


SG 11155
Universal Smart Fix 150 mm

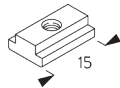


SG 11156
Universal Smart Fix 200 mm

Fillet Bracket SG 11669



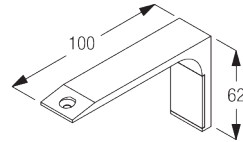
Screw SG 6784 (M4x8) needed.
Recommended for straight systems only.



SG 6141
Clamping piece



SG 6784
Hexagon socket countersunk
screw M4x8 mm



SG 11669
Fillet bracket

DESIGN & SYSTEM OPTIONS

A. ENDCAPS



SG 11603



SG 11631



SG 11632

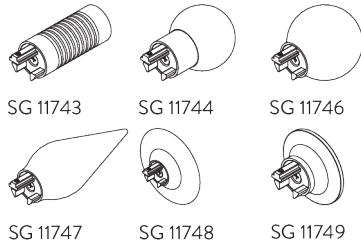
Endcaps:

- SG 11603 Flush endcap 30 mm
- SG 11631 Stud endcap 30 mm
- SG 11632 Design endcap 30 mm

Please note:

- Without finials, poles are supplied as standard with flush fitting endcaps SG 11603 (left).
- Alternatively, stud endcaps SG 11631 can be selected at no additional cost.

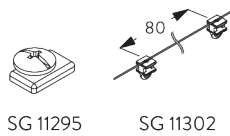
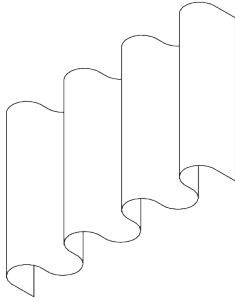
B. FINIALS



Finials are decorative elements that fit on at the end of the pole:

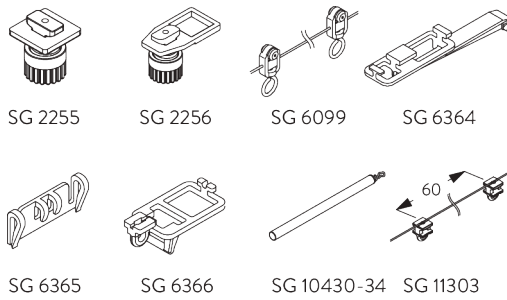
- SG 11743 Groove cylinder 30 mm
- SG 11744 Glass ball 30 mm
- SG 11746 Ball end 30 mm
- SG 11747 Spear 30 mm
- SG 11748 Ellipse 30 mm
- SG 11749 Taper 30 mm

C. WAVE



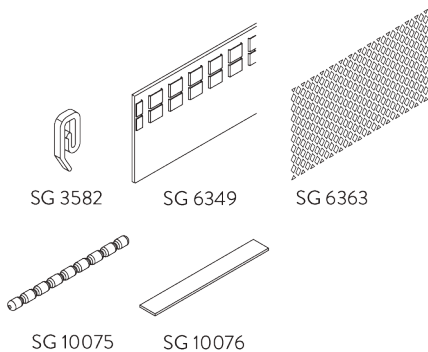
Standard components:

- SG 11295 End stop
- SG 11302 Wave 2C glider cord 80 mm



Optional components:

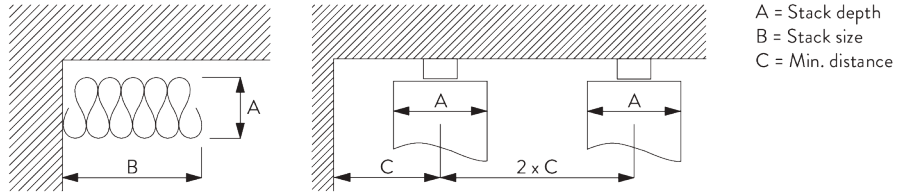
- SG 2255 Brake
- SG 2256 Brake
- SG 6099 Wave roller cord 80 mm
- SG 6364 Wave extension
- SG 6365 Wave hanger
- SG 6366 Wave carrier for draw rod
- SG 10430-34 Draw rod
- SG 11303 Wave 2C glider cord 60 mm



Curtain components:

- SG 3582 Hook
- SG 6349 Wave curtain tape
- SG 6363 Wave top hemming tape
- SG 10075 Lead weight 50 gr/m
- SG 10076 Fabric weigh

Wave stack depth - 2C glider cord (standard components)



2C Glider cord SG 11302	Pockets between hooks	Approx. curtain fullness	Stack depth A	Stack size B*	Min distance C
80	6	~2.1	140	180 per metre of track	90
80	7	~2.3	160	180 per metre of track	100

2C Glider cord SG 11303	Pockets between hooks	Approx. curtain fullness	Stack depth A	Stack size B*	Min distance C
60	4	~2.1	100	230 per metre of track	70
60	5	~2.3	120	230 per metre of track	80

*Stack size B when using optional extension arm SG 6364 increases by 95 mm per curtain stack!

PARTS

A. STANDARD PARTS



SG 6065

End stop



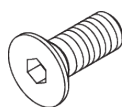
SG 6103p

Profile



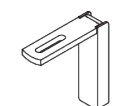
SG 6141

Clamping piece



SG 6783

Hexagon socket countersunk screw
M4x10 mm



SG 11206

Smart Fix with slot 60 mm



SG 11300

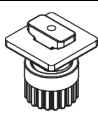
2C glider



SG 11603

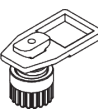
Flush end cap 30 mm

B. OPTIONAL PARTS



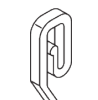
SG 2255

Brake



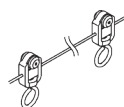
SG 2256

Brake



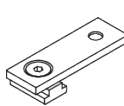
SG 3582

Hook



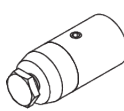
SG 6099

Wave roller cord 80 mm



SG 6151

Ceiling support set 3 mm



SG 6175

Mini hanger



SG 6283

Roller



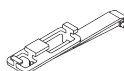
SG 6349

Wave curtain tape



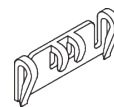
SG 6363

Wave top hemming tape



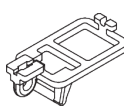
SG 6364

Wave extension



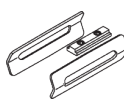
SG 6365

Wave hanger



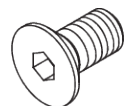
SG 6366

Wave carrier for draw rod



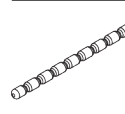
SG 6635

Connection bridge set



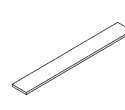
SG 6784

Hexagon socket countersunk screw
M4x8 mm



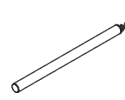
SG 10075

Lead weight 50 g/m



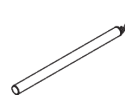
SG 10076

Fabric weight



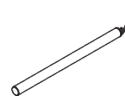
SG 10430

Draw rod 50 cm



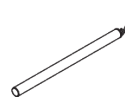
SG 10431

Draw rod 75 cm



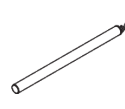
SG 10432

Draw rod 100 cm



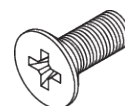
SG 10433

Draw rod 125 cm



SG 10434

Draw rod 150 cm



SG 11127

Countersunk head screw M4x10



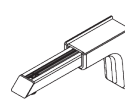
SG 11131

Pan head screw with flange M4x6



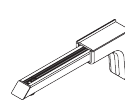
SG 11148

Nut



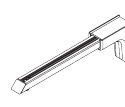
SG 11154

Universal Smart Fix 120 mm



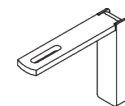
SG 11155

Universal Smart Fix 150 mm



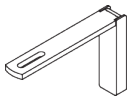
SG 11156

Universal Smart Fix 200 mm

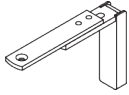


SG 11207

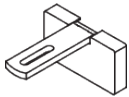
Smart Fix with slot 80 mm



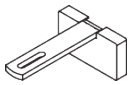
SG 11208
Smart Fix with slot 100 mm



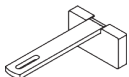
SG 11209
Adjustable Smart Fix



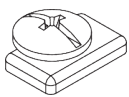
SG 11216
Square Smart Fix with slot 60 mm



SG 11217
Square Smart Fix with slot 80 mm



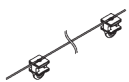
SG 11218
Square Smart Fix with slot 100 mm



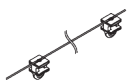
SG 11295
End stop



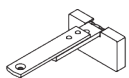
SG 11301
2C glider on strip



SG 11302
Wave 2C glider cord 80 mm



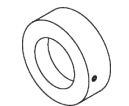
SG 11303
Wave 2C glider cord 60 mm



SG 11472
Adjustable Square Smart Fix



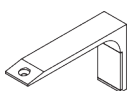
SG 11631
Stud endcap 30 mm



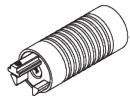
SG 11632
Design endcap 30 mm



SG 11668
Top fix bracket



SG 11669
Fillet bracket



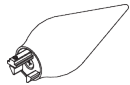
SG 11743
Groove cylinder 30 mm



SG 11744
Glass ball 30 mm



SG 11746
Ball end 30 mm



SG 11747
Spear 30 mm

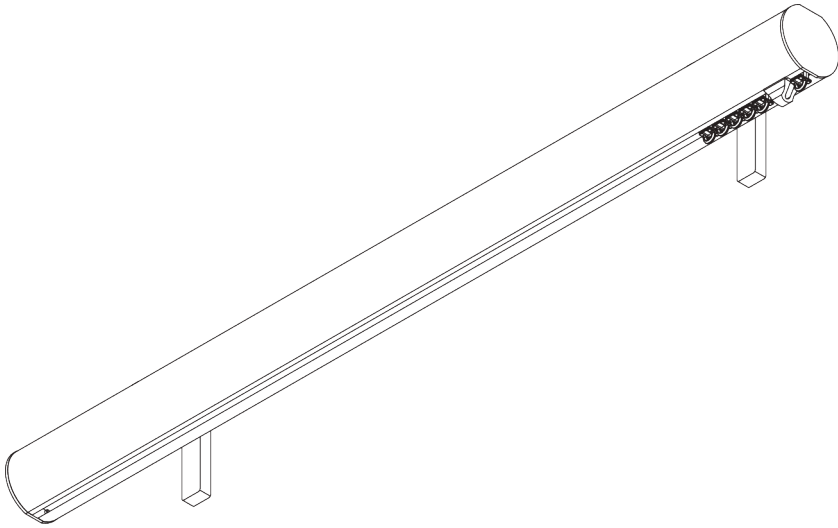
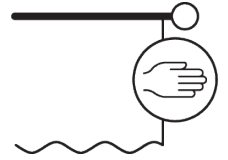


SG 11748
Ellipse 30 mm



SG 11749
Taper 30 mm

SG 7620



PRODUCT INFORMATION

- **Operation:** hand
- **Range:** M - L
- **Fitting:** ceiling, wall
- **Colours:** white RAL 9016, various colours / finishes
- **Fabrics:** refer to Silent Gliss fabric collection

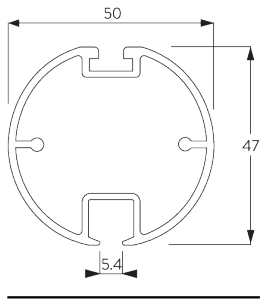
Features:

- 2-component (2C) glider technology
- Wave (2C)
- Matching endcaps and brackets / bracket covers
- Range of decorative finials
- Bendable

SYSTEM SPECIFICATIONS

A. PROFILE

Profile and bending information

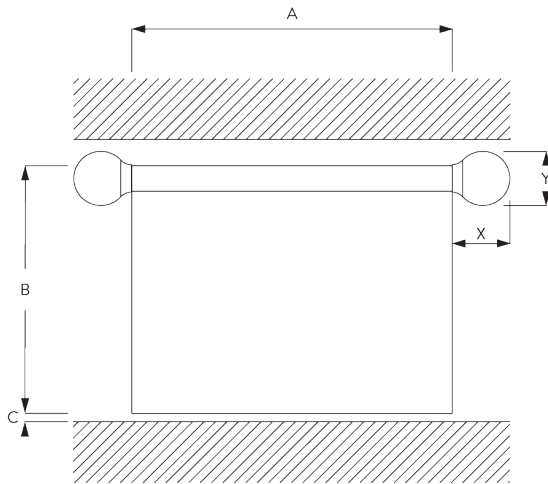


SG 11609

Profile

Radius:
>50 cm

B. HOW TO MEASURE



A: System width without finials


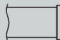







B: System height

C: Distance between floor and fabric

X: Finial width

Y: Finial height

Finial Measurements

		50 mm	
		X	Y
	SG 11605	2	51
	SG 11651	10	56
	SG 11652	24	75
	SG 11773	115	51
	SG 11774	83	70
	SG 11776	90	85
	SG 11777	165	70
	SG 11778	32	130
	SG 11779	30	100

C. SPECIFICATION

TEXT

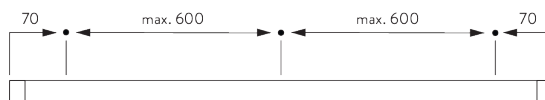
Silent Gliss SG 7620 'Metropole' hand operated curtain track system. Comprises 50 mm aluminium profile SG 11607 supplied made to measure with 2C gliders SG 11300 at 14/m, 2 no. end covers SG 11605 and 2 no. end stops SG 6065. Straight poles supplied as standard with wall 'face' fix Smart Fix brackets SG 11206 at max. 600 mm centres. Optional wall fix brackets SG 11207-11208 / SG 11216-11218 / SG 11209 / SG 11472 / Fillet bracket SG 11669. Bent systems for wall 'face' fix supplied as standard with adjustable Smart Fix bracket SG 11209. Ceiling 'top' fix with plate SG 6152 / bracket SG 6175 / SG 11668 at max. 600 mm centres. Finished in Black, White, Matt White, Ecrú, Slate Grey, Bronze, Antique Bronze, Silver Anodised, Anodic Grey and Taupe. A range of decorative finials are available. Silent Gliss Wave option is available using 60 mm glider cord SG 11303 / 80 mm glider cord SG 11302 / 80 mm roller glider cord SG 6099.

FITTING

A. FITTING INFORMATION

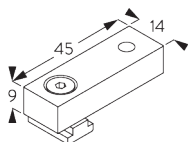
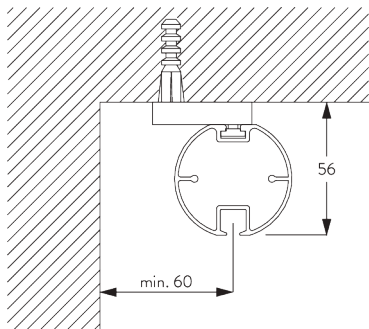
For detailed fitting information, visit the [Silent Gliss website](#).

Fixing points



B. CEILING FITTING

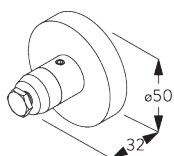
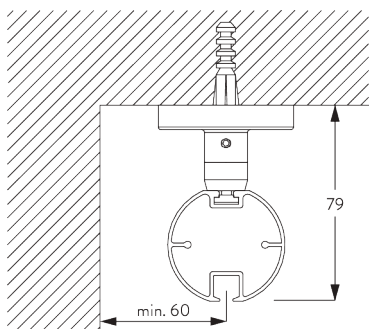
Support SG 6152



SG 6152

Ceiling support set 9 mm

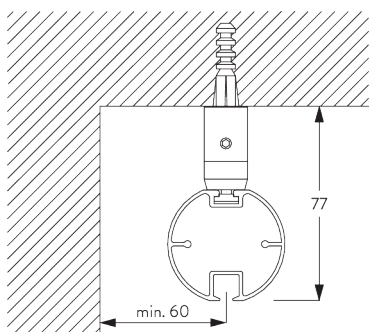
Top fix bracket SG 11668

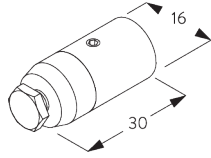


SG 11668

Top fix bracket

Mini hanger SG 6175



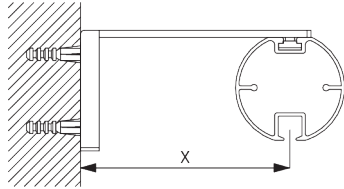


SG 6175

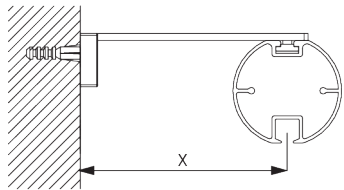
Mini hanger

C. WALL FITTING

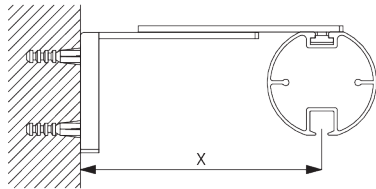
Smart Fix



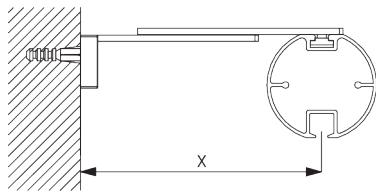
Smart Fix with slot SG 11206 - SG 11208 and SG 6141:
Screw SG 6783 (M4x10) needed.



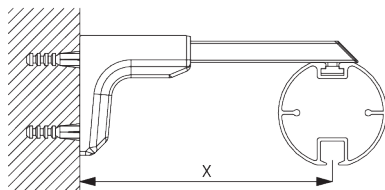
Square Smart Fix with slot SG 11216 - SG 11218 and SG 6141:
Screw SG 6783 (M4x10) needed.



Adjustable Smart Fix SG 11209 and SG 6141:
Screw SG 6784 (M4x8) needed.

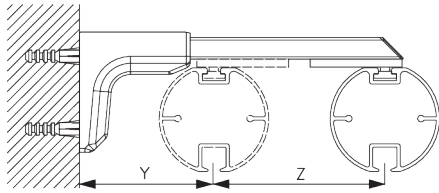


Adjustable Square Smart Fix SG 11472 and SG 6141:
Screw SG 6784 (M4x8) needed.



Universal Smart Fix SG 11154 - SG 11156 and SG 6141:
Screw SG 11131 (M4x6) needed.

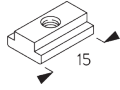
Smart Fix	X mm	Y mm	Z mm
SG 11206 / SG 11216	51		
SG 11207 / SG 11217	71		
SG 11208 / SG 11218	91		
SG 11209 / SG 11472	80-100		
SG 11154	102-130		
SG 11155	132-160	68	65-72
SG 11156	182-210	68	65-123



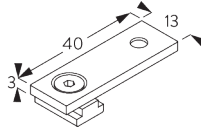
Double System:

Universal Smart Fix SG 11155 - SG 11156 and SG 6151:

Screw SG 11127 (M4x10) and nut SG 11148 needed.



SG 6141
Clamping piece



SG 6151
Ceiling support set 3 mm



SG 6783
Hexagon socket countersunk screw M4x10 mm



SG 6784
Hexagon socket countersunk screw M4x8 mm



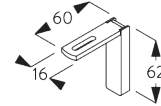
SG 11127
Countersunk head screw M4x10



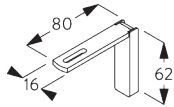
SG 11131
Pan head screw with flange M4x6



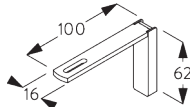
SG 11148
Nut



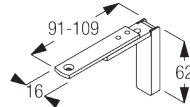
SG 11206
Smart Fix with slot 60 mm



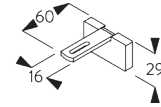
SG 11207
Smart Fix with slot 80 mm



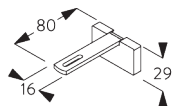
SG 11208
Smart Fix with slot 100 mm



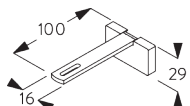
SG 11209
Adjustable Smart Fix



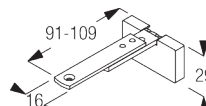
SG 11216
Square Smart Fix with slot 60 mm



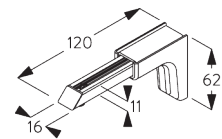
SG 11217
Square Smart Fix with slot 80 mm



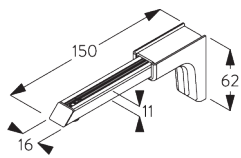
SG 11218
Square Smart Fix with slot 100 mm



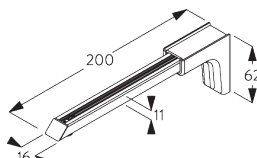
SG 11472
Adjustable Square Smart Fix



SG 11154
Universal Smart Fix 120 mm

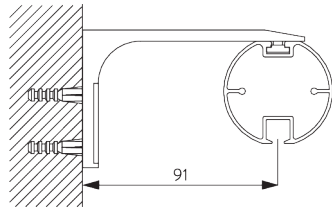


SG 11155
Universal Smart Fix 150 mm

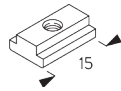


SG 11156
Universal Smart Fix 200 mm

**Fillet Bracket
SG 11669**



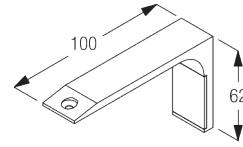
Screw SG 6784 (M4x8) needed.
Recommended for straight systems only.



SG 6141
Clamping piece



SG 6784
Hexagon socket countersunk
screw M4x8 mm



SG 11669
Fillet bracket

DESIGN & SYSTEM OPTIONS

A. ENDCAPS



SG 11605



SG 11651



SG 11652

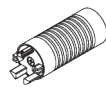
Endcaps:

- SG 11605 Flush endcap 50 mm
- SG 11651 Stud endcap 50 mm
- SG 11652 Design endcap 50 mm

Please note:

- Without finials, poles are supplied as standard with flush fitting endcaps SG 11605 (left).
- Alternatively, stud endcaps SG 11651 can be selected at no additional cost.

B. FINIALS



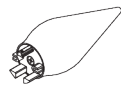
SG 11773



SG 11774



SG 11776



SG 11777



SG 11778

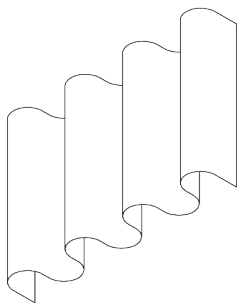


SG 11779

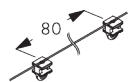
Finials are decorative elements that fit on at the end of the pole:

- SG 11773 Groove cylinder 50 mm
- SG 11774 Glass ball 50 mm
- SG 11776 Ball end 50 mm
- SG 11777 Spear 50 mm
- SG 11778 Ellipse 50 mm
- SG 11779 Taper 50 mm

C. WAVE



SG 11295



SG 11302

Standard components:

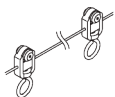
- SG 11295 End stop
- SG 11302 Wave 2C glider cord 80 mm



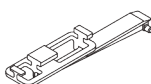
SG 2255



SG 2256



SG 6099



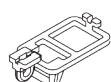
SG 6364

Optional components:

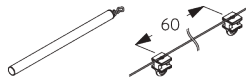
- SG 2255 Brake
- SG 2256 Brake
- SG 6099 Wave roller cord 80 mm
- SG 6364 Wave extension
- SG 6365 Wave hanger
- SG 6366 Wave carrier for draw rod
- SG 10430-34 Draw rod
- SG 11303 Wave 2C glider cord 60 mm



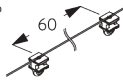
SG 6365



SG 6366



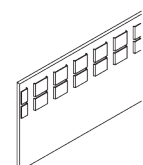
SG 10430-34



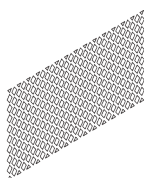
SG 11303



SG 3582



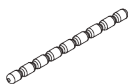
SG 6349



SG 6363

Curtain components:

- SG 3582 Hook
- SG 6349 Wave curtain tape
- SG 6363 Wave top hemming tape
- SG 10075 Lead weight 50 gr/m
- SG 10076 Fabric weigh

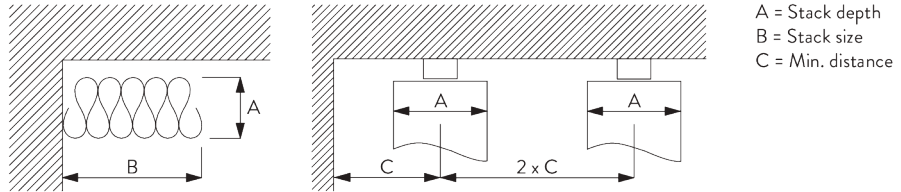


SG 10075



SG 10076

Wave stack depth - 2C glider cord (standard components)



2C Glider cord SG 11302	Pockets between hooks	Approx. curtain fullness	Stack depth A	Stack size B*	Min distance C
80	6	~2.1	140	180 per metre of track	90
80	7	~2.3	160	180 per metre of track	100

2C Glider cord SG 11303	Pockets between hooks	Approx. curtain fullness	Stack depth A	Stack size B*	Min distance C
60	4	~2.1	100	230 per metre of track	70
60	5	~2.3	120	230 per metre of track	80

*Stack size B when using optional extension arm SG 6364 increases by 95 mm per curtain stack!

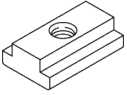
PARTS

A. STANDARD PARTS



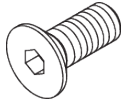
SG 6065

End stop



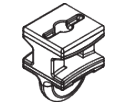
SG 6141

Clamping piece



SG 6783

Hexagon socket countersunk screw
M4x10 mm



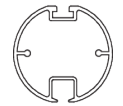
SG 11300

2C glider



SG 11605

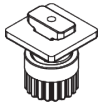
Flush end cap 50 mm



SG 11609

Profile

B. OPTIONAL PARTS



SG 2255

Brake



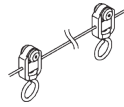
SG 2256

Brake



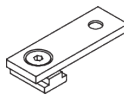
SG 3582

Hook



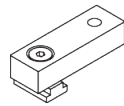
SG 6099

Wave roller cord 80 mm



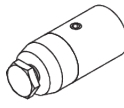
SG 6151

Ceiling support set 3 mm



SG 6152

Ceiling support set 9 mm



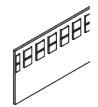
SG 6175

Mini hanger



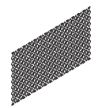
SG 6283

Roller



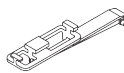
SG 6349

Wave curtain tape



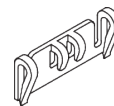
SG 6363

Wave top hemming tape



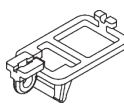
SG 6364

Wave extension



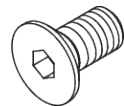
SG 6365

Wave hanger



SG 6366

Wave carrier for draw rod



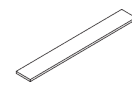
SG 6784

Hexagon socket countersunk screw
M4x8 mm



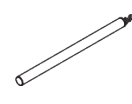
SG 10075

Lead weight 50 g/m



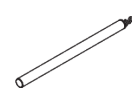
SG 10076

Fabric weight



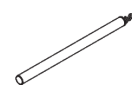
SG 10430

Draw rod 50 cm



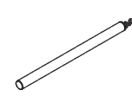
SG 10431

Draw rod 75 cm



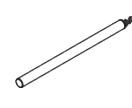
SG 10432

Draw rod 100 cm



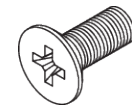
SG 10433

Draw rod 125 cm



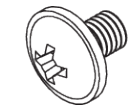
SG 10434

Draw rod 150 cm



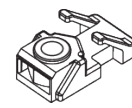
SG 11127

Countersunk head screw M4x10



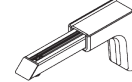
SG 11131

Pan head screw with flange M4x6



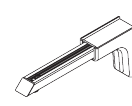
SG 11148

Nut



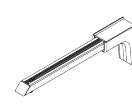
SG 11154

Universal Smart Fix 120 mm



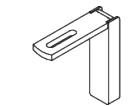
SG 11155

Universal Smart Fix 150 mm



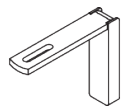
SG 11156

Universal Smart Fix 200 mm



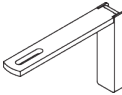
SG 11206

Smart Fix with slot 60 mm



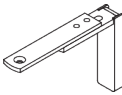
SG 11207

Smart Fix with slot 80 mm



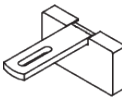
SG 11208

Smart Fix with slot 100 mm



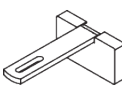
SG 11209

Adjustable Smart Fix



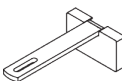
SG 11216

Square Smart Fix with slot 60 mm



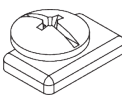
SG 11217

Square Smart Fix with slot 80 mm



SG 11218

Square Smart Fix with slot 100 mm



SG 11295

End stop



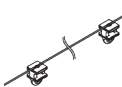
SG 11301

2C glider on strip



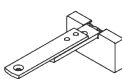
SG 11302

Wave 2C glider cord 80 mm



SG 11303

Wave 2C glider cord 60 mm



SG 11472

Adjustable Square Smart Fix



SG 11651

Stud endcap 50 mm



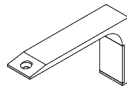
SG 11652

Design endcap 50 mm



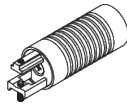
SG 11668

Top fix bracket



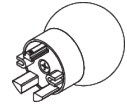
SG 11669

Fillet bracket



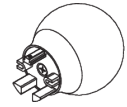
SG 11773

Groove cylinder 50 mm



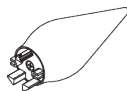
SG 11774

Glass ball 50 mm



SG 11776

Ball end 50 mm



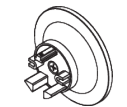
SG 11777

Spear 50 mm



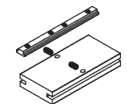
SG 11778

Ellipse 50 mm



SG 11779

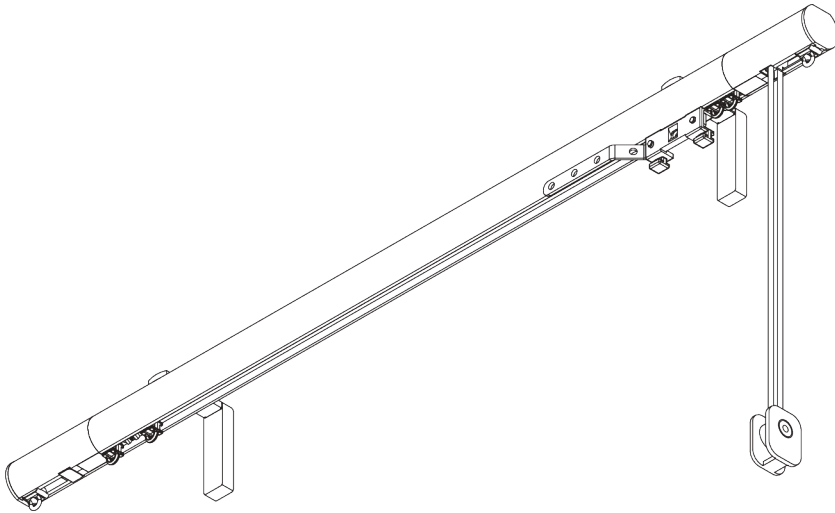
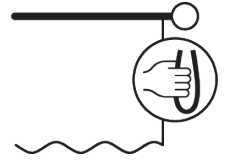
Taper 50 mm



SG 11783

Connection bridge

SG 7630



PRODUCT INFORMATION

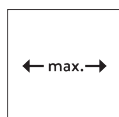
- **Operation:** cord
- **Range:** S - M
- **Fitting:** ceiling, wall
- **Colours:** white RAL 9016, various colours / finishes
- **Fabrics:** refer to Silent Gliss fabric collection

Features:

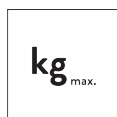
- 2-component (2C) glider technology
- Wave (2C)
- Matching endcaps and brackets / bracket covers
- Range of decorative finials
- Bendable

SYSTEM SPECIFICATIONS

A. SYSTEM DIMENSIONS



6 m



13 kg

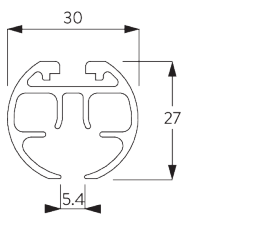
Max. curtain weights

	Standard Application with Glider						Standard Application with Roller/ Wave Roller					
	1 m	2 m	3 m	4 m	5 m	6 m	1 m	2 m	3 m	4 m	5 m	6 m
	9	9	8	8	7	7	12	11	11	11	10	10
	10	10	9	9	8	8	13	13	12	11	11	10
	7	7	6	6	5	5	9	8	8	8	7	7
	8	8	7	7	6	6	10	9	9	9	8	8
	4	4	3	3	2	2	6	5	5	5	4	4
	5	5	4	4	3	3	7	6	6	6	5	5
	3	3	2	2	1	1	5	4	4	4	3	3
	4	4	3	3	2	2	6	5	5	5	4	4

(kg max.)

B. PROFILE

Profile and bending information

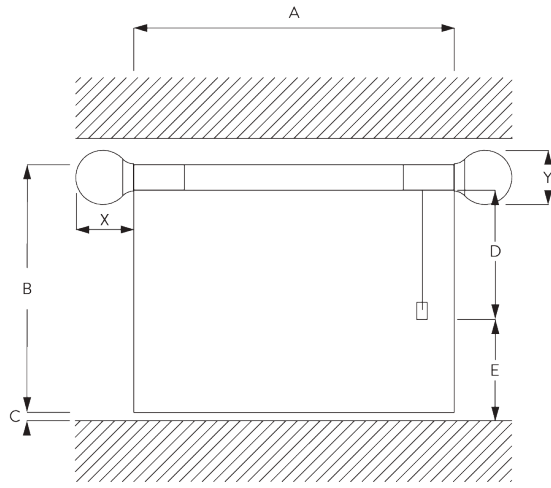


SG 6106

Profile

Radius: >30 cm

**C. HOW TO
MEASURE**



- A: System width without finials
- B: System height
- C: Distance between floor and fabric
- D: Cord height
- E: Safety Retainer SG 10731 min. 150 cm above floor
- X: Finial width
- Y: Finial height

Finial Measurements

		30 mm	
		X	Y
	SG 11603	2	30
	SG 11631	10	34
	SG 11632	18	50
	SG 11733	69	30
	SG 11734	66	50
	SG 11736	64	60
	SG 11737	116	48
	SG 11738	26	90
	SG 11739	20	60

D. SPECIFICATION

TEXT

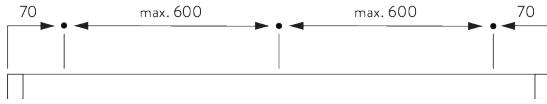
Silent Gliss SG 7630 'Metropole' cord operated curtain track system. Comprises 30 mm aluminium profile SG 6106 supplied made to measure with 2C gliders SG 11300 at 14/m, 2 end covers SG 11603, cord guide/return set SG 11661, overlap SG 6063 and cord SG 3091. Straight poles supplied as standard with wall 'face' fix Smart Fix brackets SG 11206 at max. 600 mm centres. Optional wall fix brackets SG 11207-11208 / SG 11216-11218 / SG 11209 / SG 11472 / Fillet bracket SG 11669. Bent systems for wall 'face' fix supplied as standard with adjustable Smart Fix bracket SG 11209. Ceiling 'top' fix with plate SG 6151 / bracket SG 6175 / SG 11668 at max. 600 mm centres. Finished in Ecru, Bronze, Antique Bronze, Gunmetal, Black, Charcoal, Anodic Grey, Slate Grey, Matt White, White, Sand, Ochre, Chrome Effect, or Taupe. A range of decorative finials are available (limited range for Chrome). Silent Gliss Wave option is available using 60 mm glider cord SG 11303 / 80mm glider cord SG 11302 / 80 mm roller glider cord SG 6099. Compliant to Child Safety legislation EN 13120.

FITTING

A. FITTING INFORMATION

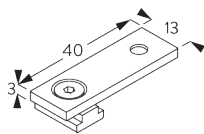
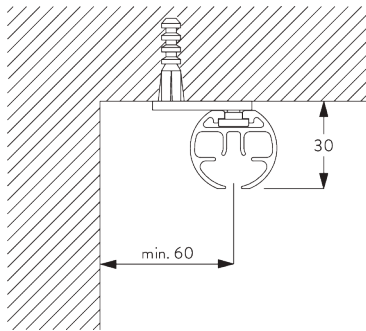
For detailed fitting information, visit the [Silent Gliss website](#).

Fixing points



B. CEILING FITTING

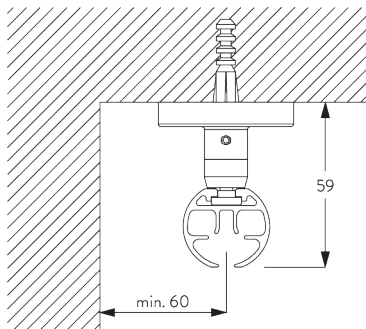
Support SG 6151

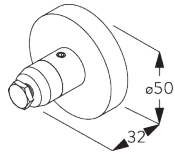


SG 6151

Ceiling support set 3 mm

Top fix bracket SG 11668

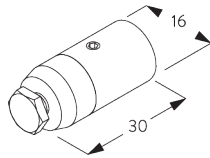
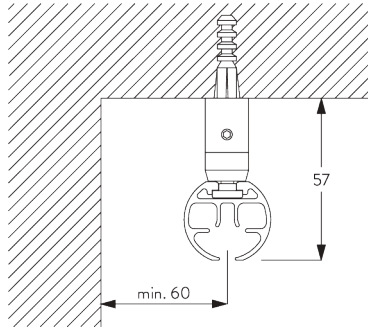




SG 11668

Top fix bracket

Mini hanger SG 6175

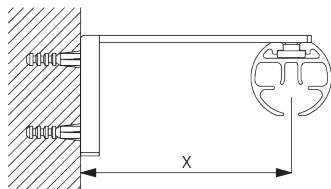


SG 6175

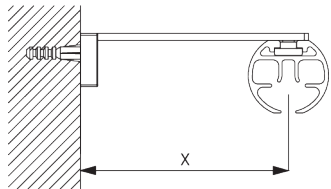
Mini hanger

C. WALL FITTING

Smart Fix

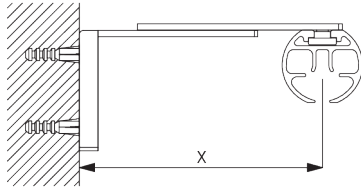


Smart Fix with slot SG 11206 - SG 11208 and SG 6141:
Screw SG 6783 (M4x10) needed.



Square Smart Fix with slot SG 11216 - SG 11218 and SG 6141:
Screw SG 6783 (M4x10) needed.

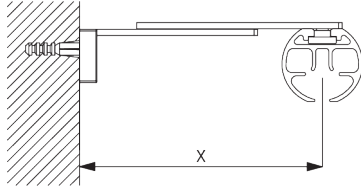
Smart Fix	X mm	Y mm	Z mm
SG 11206 / SG 11216	51		
SG 11207 / SG 11217	71		
SG 11208 / SG 11218	91		
SG 11209 / SG 11472	80-100		
SG 11154	102-130		
SG 11155	132-160	68	65-72
SG 11156	182-210	68	65-123



Adjustable Smart Fix SG 11209 and SG 6141:

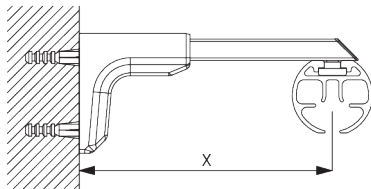
Screw SG 6784 (M4x8) needed.

Note: all bent Metropole systems are supplied with adjustable bracket SG 11209 as standard.



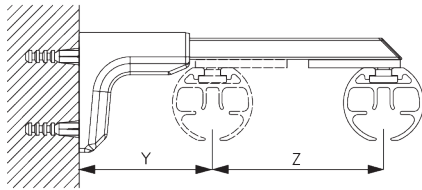
Adjustable Square Smart Fix SG 11472 and SG 6141:

Screw SG 6784 (M4x8) needed.



Universal Smart Fix SG 11154 - SG 11156 and SG 6141:

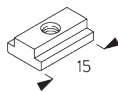
Screw SG 11131 (M4x6) needed.



Double System:

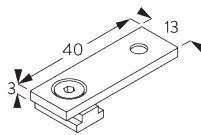
Universal Smart Fix SG 11155 - SG 11156 and SG 6151:

Screw SG 11127 (M4x10) and nut SG 11148 needed.



SG 6141

Clamping piece



SG 6151

Ceiling support set 3 mm



SG 6783

Hexagon socket countersunk screw M4x10 mm



SG 6784

Hexagon socket countersunk screw M4x8 mm



SG 11127

Countersunk head screw M4x10



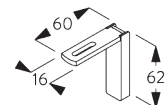
SG 11131

Pan head screw with flange M4x6



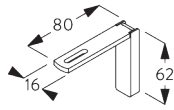
SG 11148

Nut

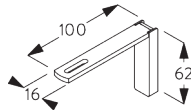


SG 11206

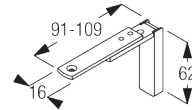
Smart Fix with slot 60 mm



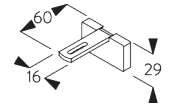
SG 11207
Smart Fix with slot 80 mm



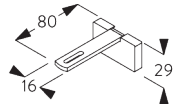
SG 11208
Smart Fix with slot 100 mm



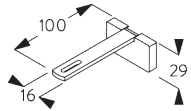
SG 11209
Adjustable Smart Fix



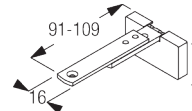
SG 11216
Square Smart Fix with slot 60 mm



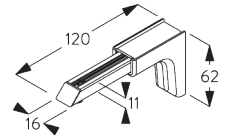
SG 11217
Square Smart Fix with slot 80 mm



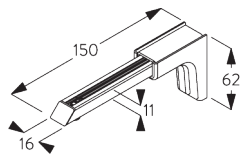
SG 11218
Square Smart Fix with slot 100 mm



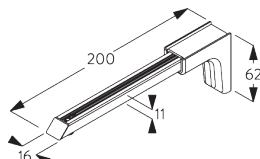
SG 11472
Adjustable Square Smart Fix



SG 11154
Universal Smart Fix 120 mm

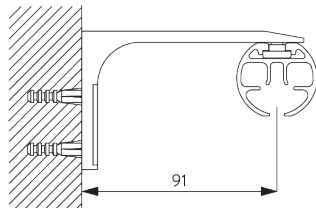


SG 11155
Universal Smart Fix 150 mm

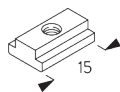


SG 11156
Universal Smart Fix 200 mm

Fillet Bracket SG 11669



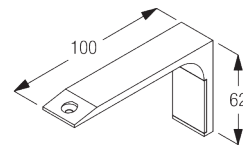
Screw SG 6784 (M4x8) needed.
Recommended for straight systems only.



SG 6141
Clamping piece



SG 6784
Hexagon socket countersunk
screw M4x8 mm



SG 11669
Fillet bracket

DESIGN & SYSTEM OPTIONS

A. ENDCAPS



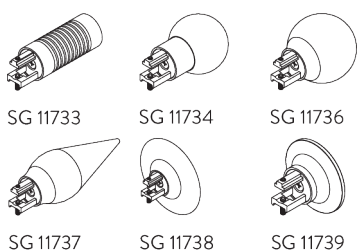
Endcaps:

- SG 11603 Flush endcap 30 mm
- SG 11631 Stud endcap 30 mm
- SG 11632 Design endcap 30 mm

Please note:

- Without finials, poles are supplied as standard with flush fitting endcaps SG 11603 (left).
- Alternatively, stud endcaps SG 11631 can be selected at no additional cost.

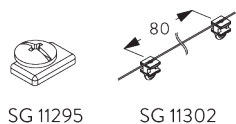
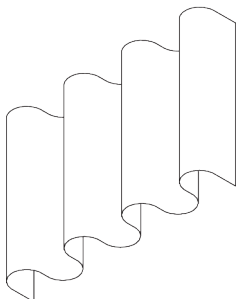
B. FINIALS



Finials are decorative elements that fit on at the end of the pole:

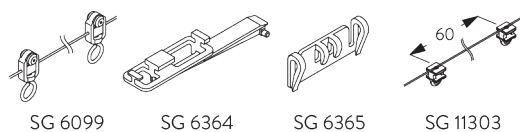
- SG 11733 Groove cylinder 30 mm
- SG 11734 Glass ball 30 mm
- SG 11736 Ball end 30 mm
- SG 11737 Spear 30 mm
- SG 11738 Ellipse 30 mm
- SG 11739 Taper 30 mm

C. WAVE



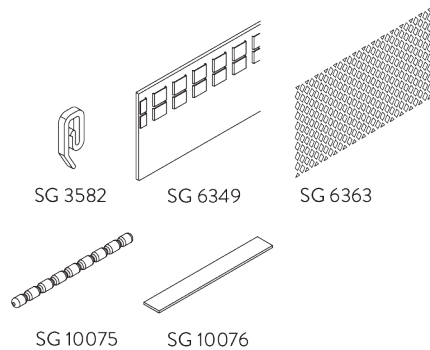
Standard components:

- SG 11295 End stop
- SG 11302 Wave 2C glider cord 80 mm



Optional component:

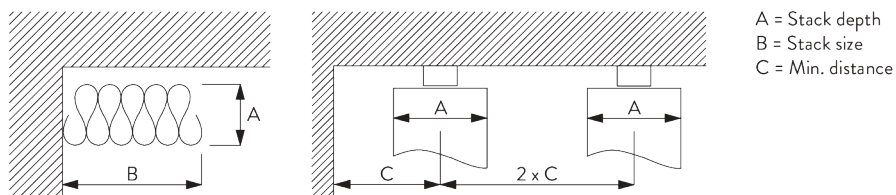
- SG 6099 Wave roller cord 80 mm
- SG 6364 Wave extension
- SG 6365 Wave hanger
- SG 11303 Wave 2C glider Cord 60 mm



Curtain components:

- SG 3582 Hook
- SG 6349 Wave curtain tape
- SG 6363 Wave top hemming tape
- SG 10075 Lead weight 50 gr/m
- SG 10076 Fabric weigh

Wave stack depth - 2C glider cord (standard components)




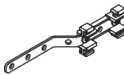


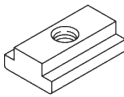
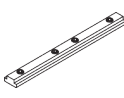
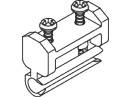
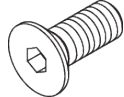

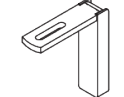

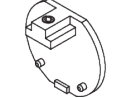
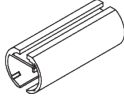
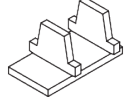
2C Glider cord SG 11302	Pockets between hooks	Approx. curtain fullness	Stack depth A	Stack size B*	Min distance C
80	6	~2.1	140	180 per metre of track	90
80	7	~2.3	160	180 per metre of track	100


2C Glider cord SG 11303	Pockets between hooks	Approx. curtain fullness	Stack depth A	Stack size B*	Min distance C
60	4	~2.1	100	230 per metre of track	70
60	5	~2.3	120	230 per metre of track	80

*Stack size B when using optional extension arm SG 6364 increases by 175 mm per curtain stack!


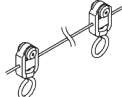
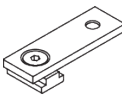
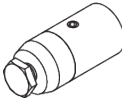

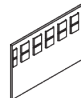
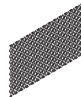
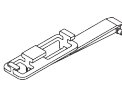
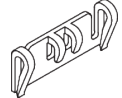
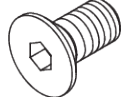
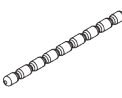
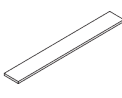
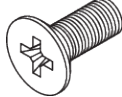

PARTS

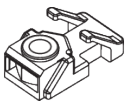
A. STANDARD PARTS

	SG 3091 Cord ø 3.5 mm
	SG 6063 Overlap arm
	SG 6065 End stop
	SG 6106 Profile
	SG 6141 Clamping piece
	SG 6173 Connection bridge
	SG 6354 Pilot runner
	SG 6783 Hexagon socket countersunk screw M4x10 mm
	SG 10731 Child safety retainer set
	SG 11206 Smart Fix with slot 60 mm
	SG 11300 2C glider
	SG 11603 Flush end cap 30 mm
	SG 11661 Cord guide 30 mm
	SG 11703 Cover

	SG 11704 Cover
---	--------------------------

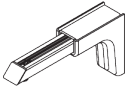
B. OPTIONAL PARTS

	SG 3582 Hook
	SG 6099 Wave roller cord 80 mm
	SG 6151 Ceiling support set 3 mm
	SG 6175 Mini hanger
	SG 6283 Roller
	SG 6349 Wave curtain tape
	SG 6363 Wave top hemming tape
	SG 6364 Wave extension
	SG 6365 Wave hanger
	SG 6784 Hexagon socket countersunk screw M4x8 mm
	SG 10075 Lead weight 50 g/m
	SG 10076 Fabric weight
	SG 11127 Countersunk head screw M4x10
	SG 11131 Pan head screw with flange M4x6



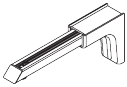
SG 11148

Nut



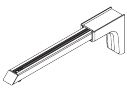
SG 11154

Universal Smart Fix 120 mm



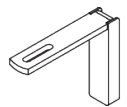
SG 11155

Universal Smart Fix 150 mm



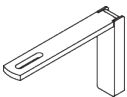
SG 11156

Universal Smart Fix 200 mm



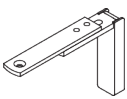
SG 11207

Smart Fix with slot 80 mm



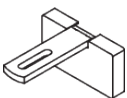
SG 11208

Smart Fix with slot 100 mm



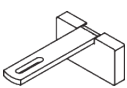
SG 11209

Adjustable Smart Fix



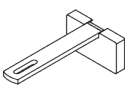
SG 11216

Square Smart Fix with slot 60 mm



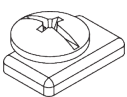
SG 11217

Square Smart Fix with slot 80 mm



SG 11218

Square Smart Fix with slot 100 mm



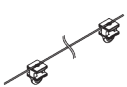
SG 11295

End stop



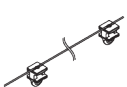
SG 11301

2C glider on strip



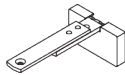
SG 11302

Wave 2C glider cord 80 mm



SG 11303

Wave 2C glider cord 60 mm



SG 11472

Adjustable Square Smart Fix



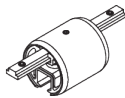
SG 11631

Stud endcap 30 mm



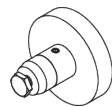
SG 11632

Design endcap 30 mm



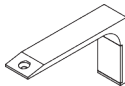
SG 11663

Intermediate guide 30 mm



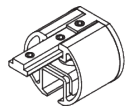
SG 11668

Top fix bracket



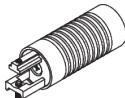
SG 11669

Fillet bracket



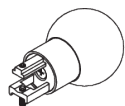
SG 11716

Wave single stack return pulley 30 mm



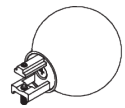
SG 11733

Groove cylinder 30 mm



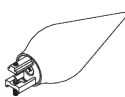
SG 11734

Glass ball 30 mm



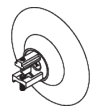
SG 11736

Ball end 30 mm



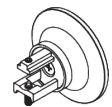
SG 11737

Spear 30 mm



SG 11738

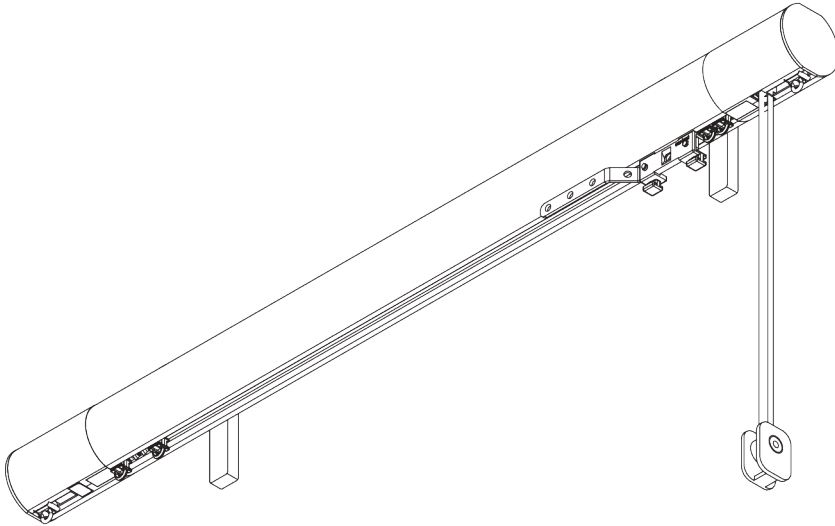
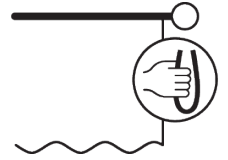
Ellipse 30 mm



SG 11739

Taper 30 mm

SG 7640



PRODUCT INFORMATION

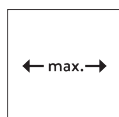
- **Operation:** cord
- **Range:** M - L
- **Fitting:** ceiling, wall
- **Colours:** white RAL 9016, various colours / finishes
- **Fabrics:** refer to Silent Gliss fabric collection

Features:

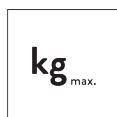
- 2-component (2C) glider technology
- Wave (2C)
- Matching endcaps and brackets / bracket covers
- Range of decorative finials
- Bendable

SYSTEM SPECIFICATIONS

A. SYSTEM DIMENSIONS



6 m



13 kg

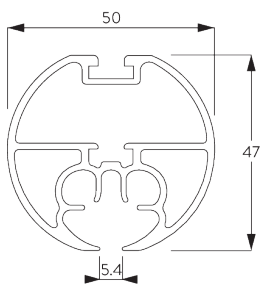
Max. curtain weights

	Standard Application with Glider						Standard Application with Roller/ Wave Roller					
	1 m	2 m	3 m	4 m	5 m	6 m	1 m	2 m	3 m	4 m	5 m	6 m
	9	9	8	8	7	7	12	11	11	11	10	10
	10	10	9	9	8	8	13	13	12	11	11	10
	7	7	6	6	5	5	9	8	8	8	7	7
	8	8	7	7	6	6	10	9	9	9	8	8
	4	4	3	3	2	2	6	5	5	5	4	4
	5	5	4	4	3	3	7	6	6	6	5	5
	3	3	2	2	1	1	5	4	4	4	3	3
	4	4	3	3	2	2	6	5	5	5	4	4

(kg max.)

B. PROFILE

Profile and bending informationn

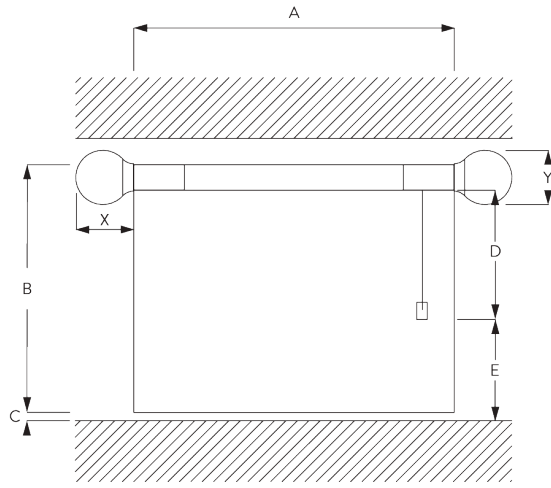


SG 11607

Profile

Radius:
✓ >68 cm

**C. HOW TO
MEASURE**



- A: System width without finials
- B: System height
- C: Distance between floor and fabric
- D: Cord height
- E: Safety Retainer SG 10731 min. 150 cm above floor
- X: Finial width
- Y: Finial height

Finial Measurements

		50 mm	
		X	Y
	SG 11605	2	51
	SG 11651	10	56
	SG 11652	24	75
	SG 11753	115	51
	SG 11754	83	70
	SG 11756	90	85
	SG 11757	165	70
	SG 11758	32	130
	SG 11759	30	100

D. SPECIFICATION

TEXT

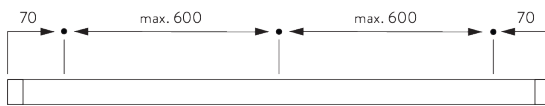
Silent Gliss SG 7640 'Metropole' cord operated curtain track system. Comprises 50 mm aluminium profile SG 11607 supplied made to measure with 2C gliders SG 11300 at 14/m, 2 no. flush end covers SG 11605, cording set SG 20347, overlap SG 6063 and cord SG 3091. Straight poles supplied as standard with wall 'face' fix Smart Fix brackets SG 11206 at max. 600 mm centres. Optional wall fix brackets SG 11207-11208 / SG 11216-11218 / SG 11209 / SG 11472 / Fillet bracket SG 11669. Bent systems for wall 'face' fix supplied as standard with adjustable Smart Fix bracket SG 11209. Ceiling 'top' fix with plate SG 6152 / bracket SG 6175 / SG 11668 at max. 600 mm centres. Finished in Black, White, Matt White, Ecru, Slate Grey, Bronze, Antique Bronze, Anodic Grey and Taupe. A range of decorative finials are available. Silent Gliss Wave option is available using 60 mm glider cord SG 11303 / 80mm glider cord SG 11302 / 80 mm roller glider cord SG 6099. Compliant to Child Safety legislation EN 13120.

FITTING

A. FITTING INFORMATION

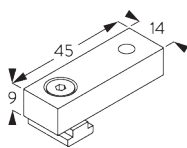
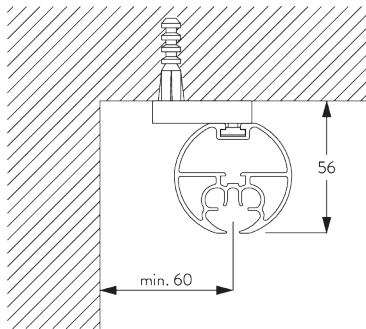
For detailed fitting information, visit the Silent Gliss website.

Fixing points



B. CEILING FITTING

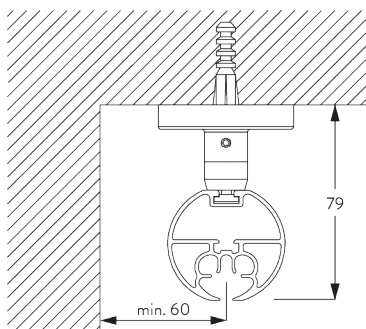
Support SG 6152

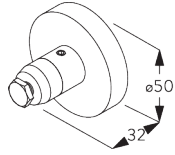


SG 6152

Ceiling support set 9 mm

Top fix bracket SG 11668

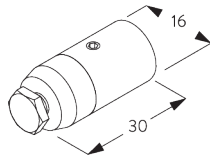
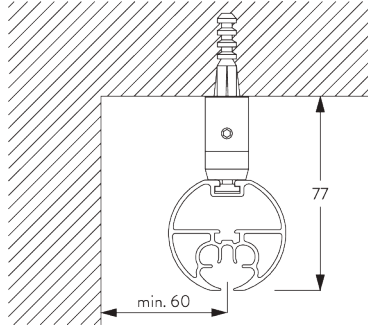




SG 11668

Top fix bracket

Mini hanger SG 6175

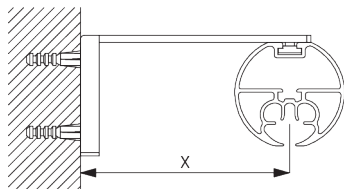


SG 6175

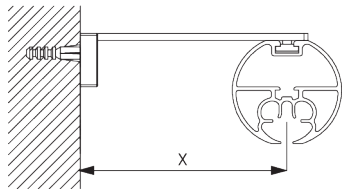
Mini hanger

C. WALL FITTING

Smart Fix

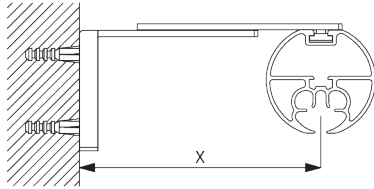


Smart Fix with slot SG 11206 - SG 11208 and SG 6141:
Screw SG 6783 (M4x10) needed.

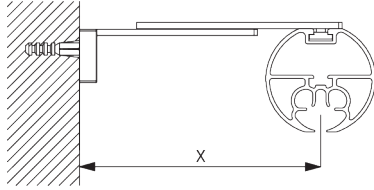


Square Smart Fix with slot SG 11216 - SG 11218 and SG 6141:
Screw SG 6783 (M4x10) needed.

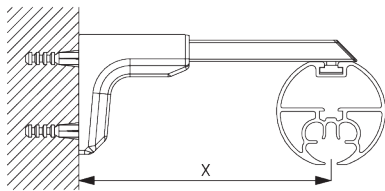
Smart Fix	X mm	Y mm	Z mm
SG 11206 / SG 11216	51		
SG 11207 / SG 11217	71		
SG 11208 / SG 11218	91		
SG 11209 / SG 11472	80-100		
SG 11154	102-130		
SG 11155	132-160	68	65-72
SG 11156	182-210	68	65-123



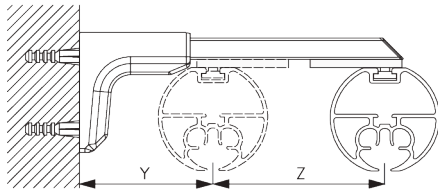
Adjustable Smart Fix SG 11209 and SG 6141:
Screw SG 6784 (M4x8) needed.



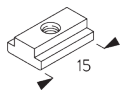
Adjustable Square Smart Fix SG 11472 and SG 6141:
Screw SG 6784 (M4x8) needed.



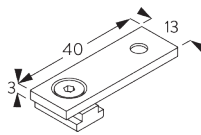
Universal Smart Fix SG 11154 - SG 11156 and SG 6141:
Screw SG 11131 (M4x6) needed.



Double System:
Universal Smart Fix SG 11155 - SG 11156 and SG 6151:
Screw SG 11127 (M4x10) and nut SG 11148 needed.



SG 6141
Clamping piece



SG 6151
Ceiling support set 3 mm



SG 6783
Hexagon socket countersunk screw M4x10 mm



SG 6784
Hexagon socket countersunk screw M4x8 mm



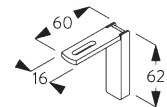
SG 11127
Countersunk head screw M4x10



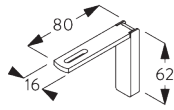
SG 11131
Pan head screw with flange M4x6



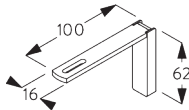
SG 11148
Nut



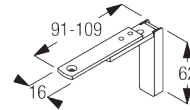
SG 11206
Smart Fix with slot 60 mm



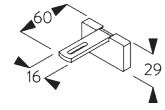
SG 11207
Smart Fix with slot 80 mm



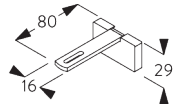
SG 11208
Smart Fix with slot 100 mm



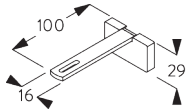
SG 11209
Adjustable Smart Fix



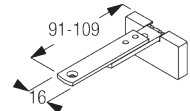
SG 11216
Square Smart Fix with slot 60 mm



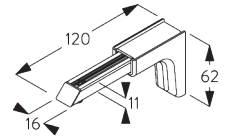
SG 11217
Square Smart Fix with slot 80 mm



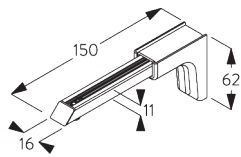
SG 11218
Square Smart Fix with slot 100 mm



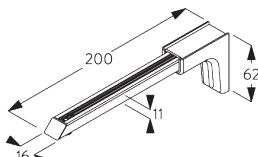
SG 11472
Adjustable Square Smart Fix



SG 11154
Universal Smart Fix 120 mm

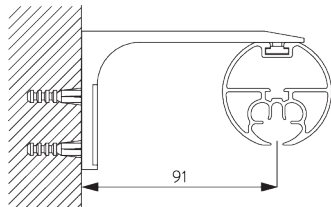


SG 11155
Universal Smart Fix 150 mm

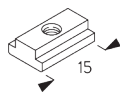


SG 11156
Universal Smart Fix 200 mm

Fillet Bracket SG 11669



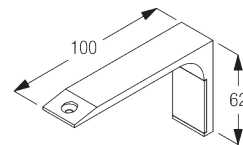
Screw SG 6784 (M4x8) needed.
Recommended for straight systems only.



SG 6141
Clamping piece



SG 6784
Hexagon socket countersunk
screw M4x8 mm



SG 11669
Fillet bracket

DESIGN & SYSTEM OPTIONS

A. ENDCAPS



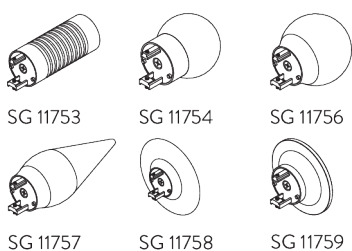
Endcaps:

- SG 11605 Flush endcap 50 mm
- SG 11651 Stud endcap 50 mm
- SG 11652 Design endcap 50 mm

Please note:

- Without finials, poles are supplied as standard with flush fitting endcaps SG 11605 (left).
- Alternatively, stud endcaps SG 11651 can be selected at no additional cost.

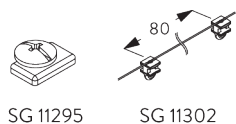
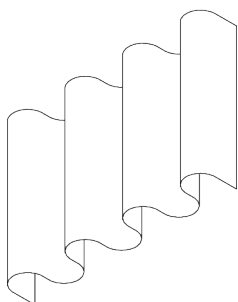
B. FINIALS



Finials are decorative elements that fit on at the end of the pole:

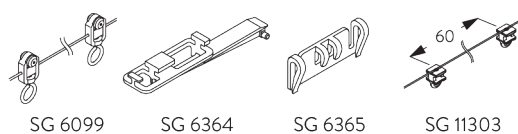
- SG 11753 Groove cylinder 50 mm
- SG 11754 Glass ball 50 mm
- SG 11756 Ball end 50 mm
- SG 11757 Spear 50 mm
- SG 11758 Ellipse 50 mm
- SG 11759 Taper 50 mm

C. WAVE



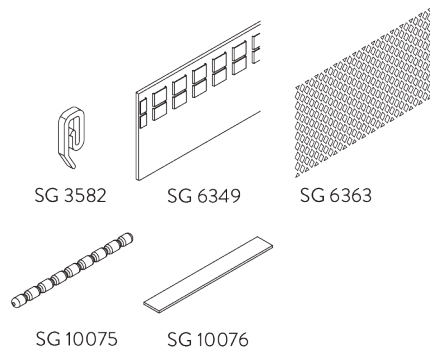
Standard components:

- SG 11295 End stop
- SG 11302 Wave 2C glider cord 80 mm



Optional component:

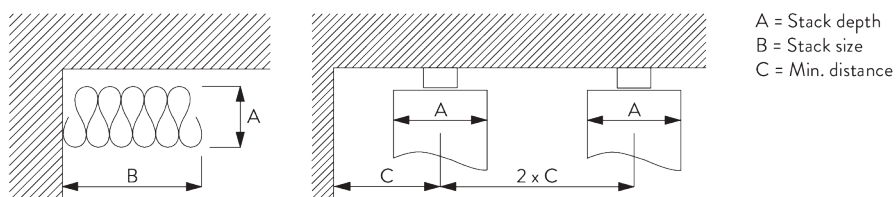
- SG 6099 Wave roller cord 80 mm
- SG 6364 Wave extension
- SG 6365 Wave hanger
- SG 11303 Wave 2C glider Cord 60 mm



Curtain components:

- SG 3582 Hook
- SG 6349 Wave curtain tape
- SG 6363 Wave top hemming tape
- SG 10075 Lead weight 50 gr/m
- SG 10076 Fabric weigh

Wave stack depth - 2C glider cord (standard components)



A = Stack depth
 B = Stack size
 C = Min. distance

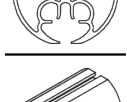
2C Glider cord SG 11302	Pockets between hooks	Approx. curtain fullness	Stack depth A	Stack size B*	Min distance C
80	6	~2.1	140	180 per metre of track	90
80	7	~2.3	160	180 per metre of track	100

2C Glider cord SG 11303	Pockets between hooks	Approx. curtain fullness	Stack depth A	Stack size B*	Min distance C
60	4	~2.1	100	230 per metre of track	70
60	5	~2.3	120	230 per metre of track	80


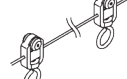
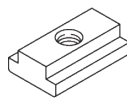
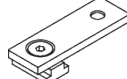
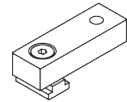
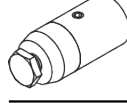
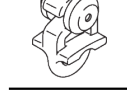
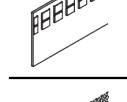
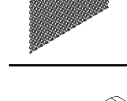
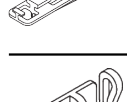
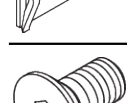
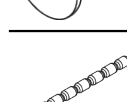

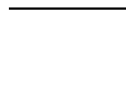
*Stack size B when using optional extension arm SG 6364 increases by 175 mm per curtain stack!

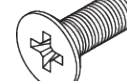

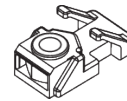
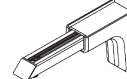
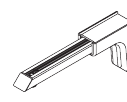
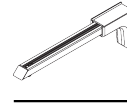
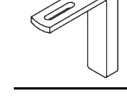
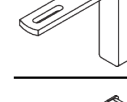
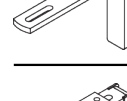
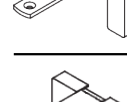
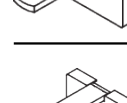
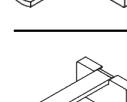
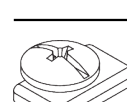

PARTS

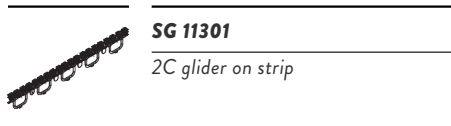
A. STANDARD PARTS

	SG 3091 Cord ø 3.5 mm
	SG 6063 Overlap arm
	SG 6065 End stop
	SG 6173 Connection bridge
	SG 6354 Pilot runner
	SG 6783 Hexagon socket countersunk screw M4x10 mm
	SG 10731 Child safety retainer set
	SG 11300 2C glider
	SG 11605 Flush end cap 50 mm
	SG 11607 Profile
	SG 11662 Cord guide 50 mm
	SG 11703 Cover
	SG 11704 Cover

B. OPTIONAL PARTS

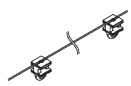
	SG 3582 Hook
	SG 6099 Wave roller cord 80 mm
	SG 6141 Clamping piece
	SG 6151 Ceiling support set 3 mm
	SG 6152 Ceiling support set 9 mm
	SG 6175 Mini hanger
	SG 6283 Roller
	SG 6349 Wave curtain tape
	SG 6363 Wave top hemming tape
	SG 6364 Wave extension
	SG 6365 Wave hanger
	SG 6784 Hexagon socket countersunk screw M4x8 mm
	SG 10075 Lead weight 50 g/m
	SG 10076 Fabric weight

	SG 11127 Countersunk head screw M4x10
	SG 11131 Pan head screw with flange M4x6
	SG 11148 Nut
	SG 11154 Universal Smart Fix 120 mm
	SG 11155 Universal Smart Fix 150 mm
	SG 11156 Universal Smart Fix 200 mm
	SG 11206 Smart Fix with slot 60 mm
	SG 11207 Smart Fix with slot 80 mm
	SG 11208 Smart Fix with slot 100 mm
	SG 11209 Adjustable Smart Fix
	SG 11216 Square Smart Fix with slot 60 mm
	SG 11217 Square Smart Fix with slot 80 mm
	SG 11218 Square Smart Fix with slot 100 mm
	SG 11295 End stop



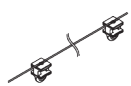
SG 11301

2C glider on strip



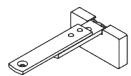
SG 11302

Wave 2C glider cord 80 mm



SG 11303

Wave 2C glider cord 60 mm



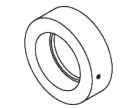
SG 11472

Adjustable Square Smart Fix



SG 11651

Stud endcap 50 mm



SG 11652

Design endcap 50 mm



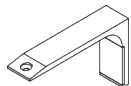
SG 11664

Intermediate guide 50 mm



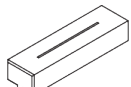
SG 11668

Top fix bracket



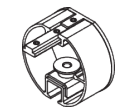
SG 11669

Fillet bracket



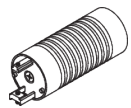
SG 11702

Connection bridge



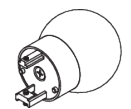
SG 11717

Wave single stack return pulley 50 mm



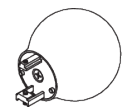
SG 11753

Groove cylinder 50 mm



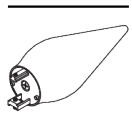
SG 11754

Glass ball 50 mm



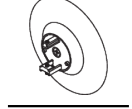
SG 11756

Ball end 50 mm



SG 11757

Spear 50 mm



SG 11758

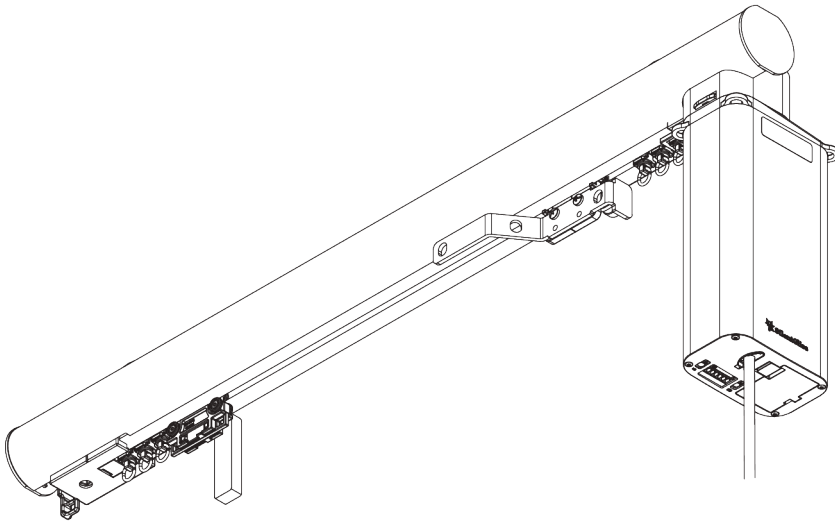
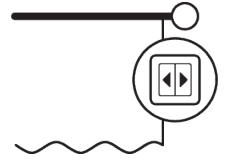
Ellipse 50 mm



SG 11759

Taper 50 mm

SG 7650



PRODUCT INFORMATION

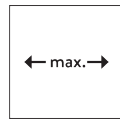
- **Operation:** motorised
- **Range:** S - L
- **Fitting:** ceiling, wall
- **Colours:** white RAL 9016, various colours / finishes
- **Fabrics:** refer to Silent Gliss fabric collection

Features:

- 2-component (2C) roller technology
- Wave (2C)
- 2 motor options
- Various control options
- Touch & Go
- Manual override
- Matching endcaps and brackets / bracket covers
- Range of decorative finials

SYSTEM SPECIFICATIONS

A. SYSTEM DIMENSIONS



6 m



45 kg

Maximum curtain weight - SG 5100

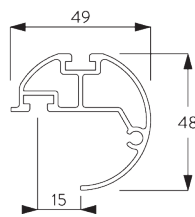
	Application with rollers		Application with Wave gliders	
	3 m	6 m	3 m	6 m
	20	25	20	20
	20	25	20	20
	(kg max.)		(kg max.)	

Maximum curtain weight - SG 5600

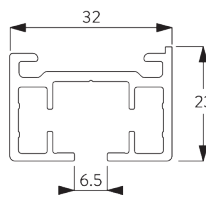
	Application with rollers / Wave rollers		Application with Wave gliders	
	2 m	6 m	2 m	6 m
	25	45	20	25
	25	45	20	25
	(kg max.)		(kg max.)	

B. PROFILE

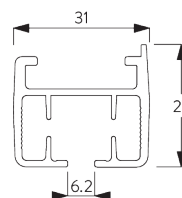
Profile Information



SG 11608
Profile

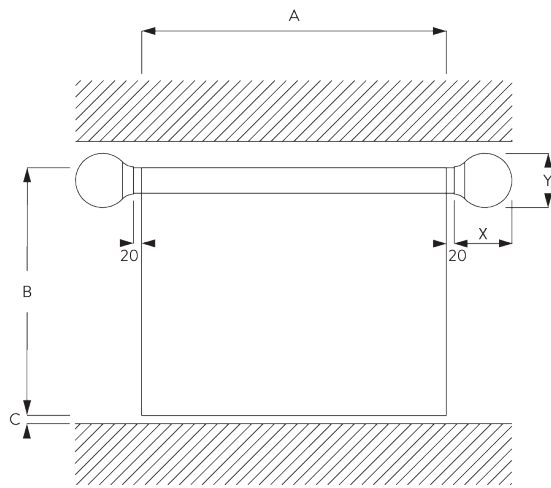


SG 10850
Profile



SG 10925
Profile

**C. HOW TO
MEASURE**

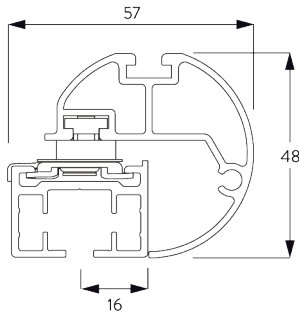


A: System width without finials
 B: System height
 C: Distance between floor and fabric
 X: Finial width
 Y: Finial height

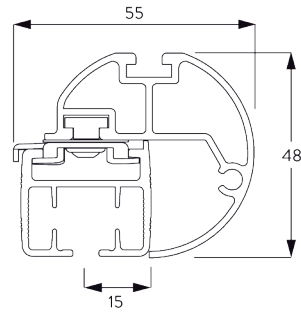
Finial Measurements

		50 mm	
		X	Y
	SG 11605	2	51
	SG 11651	10	56
	SG 11652	24	75
	SG 11763	115	51
	SG 11764	83	70
	SG 11766	90	85
	SG 11767	165	70
	SG 11768	32	130
	SG 11769	30	100

Profile cross sections



SG 7650 with electric curtain track SG 5600



SG 7650 with electric curtain track SG 5100

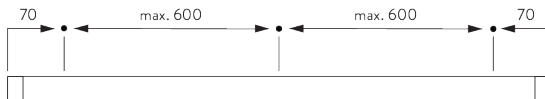
D. SPECIFICATION TEXT

Silent Gliss SG 7650 'Metropole' electrically operated curtain track system. Comprises 50 mm aluminium profile SG 11608 supplied made to measure with SG electric track system SG 5600 / SG 5100 (refer to Silent Gliss for technical catalogue for motor and control options). Straight poles supplied as standard with wall 'face' fix Smart Fix brackets SG 11206 at max. 600 mm centres. Optional wall fix brackets SG 11207-11208 / SG 11216-11218 / SG 11209 / SG 11472 / Fillet bracket SG 11669. Straight only – cannot be bent. Ceiling 'top' fix with plate SG 6152 / bracket SG 6175 / SG 11668 at max. 600 mm centres. Finished in Black, White, Matt White, Ecru, Slate Grey, Bronze, Antique Bronze, Silver Anodised, Anodic Grey and Taupe. A range of decorative finials are available. Silent Gliss Wave option is available using - for SG 5100 track system 60 mm glider cord SG 10906 / 80 mm glider cord SG 10905 – for SG 5600 track system 80 mm glider cord SG 10905 / 60 mm glider cord SG 10906 / 60 mm wave 2C roller glider cord SG 10869 / 80 mm wave 2C roller glider cord SG 10852.

FITTING

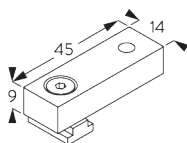
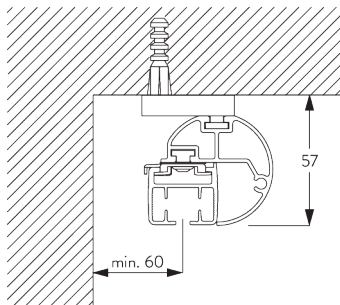
A. FITTING INFORMATION

For detailed fitting information, visit the [Silent Gliss website](#).



B. CEILING FITTING

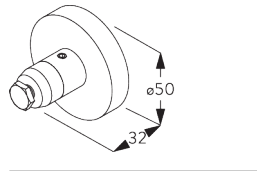
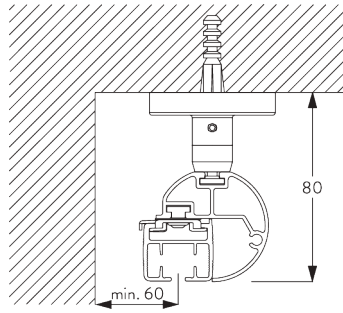
Support SG 6152



SG 6152

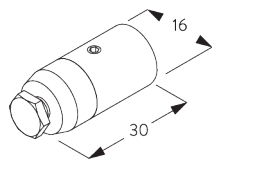
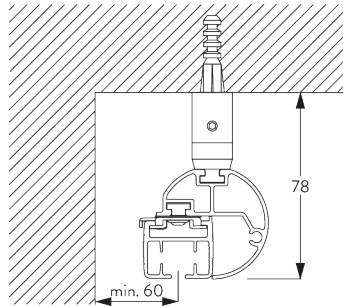
Ceiling support set 9 mm

**Top fix bracket
SG 11668**



SG 11668
Top fix bracket

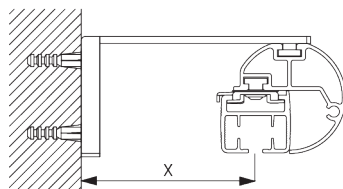
Mini hanger SG 6175



SG 6175
Mini hanger

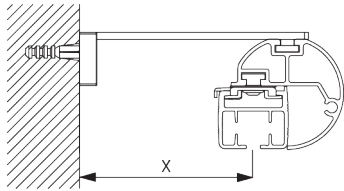
C. WALL FITTING

Smart Fix



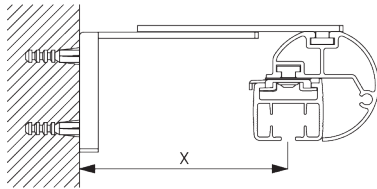
Smart Fix with slot SG 11206 - SG 11208 and SG 6141:
Screw SG 6783 (M4x10) needed.

Smart Fix	X mm	Y mm	Z mm
SG 11206 / SG 11216	35		
SG 11207 / SG 11217	55		
SG 11208 / SG 11218	75		
SG 11209 / SG 11472	64-84		
SG 11154	87-115		
SG 11155	120-148	55	65-70
SG 11156	167-195	55	65-123



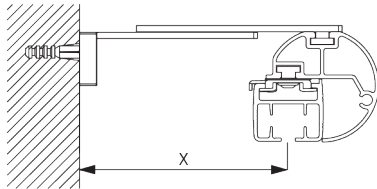
Square Smart Fix with slot SG 11216 - SG 11218 and SG 6141:

Screw SG 6783 (M4x10) needed.



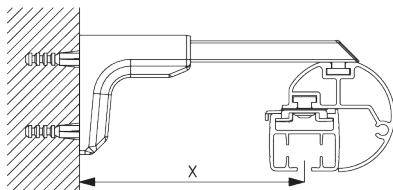
Adjustable Smart Fix SG 11209 and SG 6141:

Screw SG 6784 (M4x8) needed.



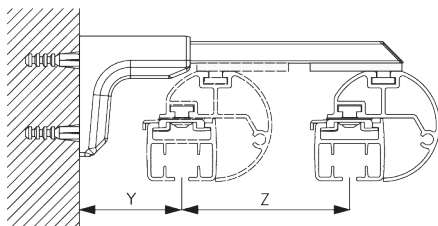
Adjustable Square Smart Fix SG 11472 and SG 6141:

Screw SG 6784 (M4x8) needed.



Universal Smart Fix SG 11154 - SG 11156 and SG 6141:

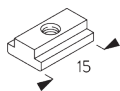
Screw SG 11131 (M4x6) needed.



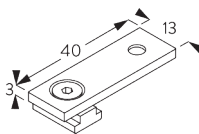
Double System:

Universal Smart Fix SG 11155 - SG 11156 and SG 6151:

Screw SG 11127 (M4x10) and nut SG 11148 needed.



SG 6141
Clamping piece



SG 6151
Ceiling support set 3 mm



SG 6783
Hexagon socket countersunk
screw M4x10 mm



SG 6784
Hexagon socket countersunk
screw M4x8 mm



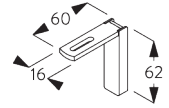
SG 11127
Countersunk head screw
M4x10



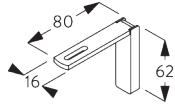
SG 11131
Pan head screw with flange
M4x6



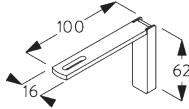
SG 11148
Nut



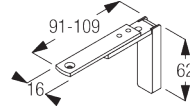
SG 11206
Smart Fix with slot 60 mm



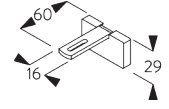
SG 11207
Smart Fix with slot 80 mm



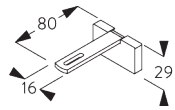
SG 11208
Smart Fix with slot 100 mm



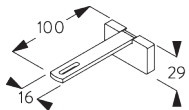
SG 11209
Adjustable Smart Fix



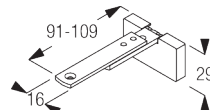
SG 11216
Square Smart Fix with slot 60 mm



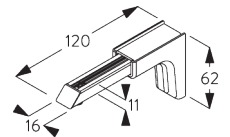
SG 11217
Square Smart Fix with slot 80 mm



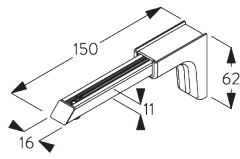
SG 11218
Square Smart Fix with slot 100 mm



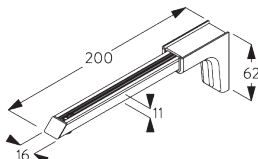
SG 11472
Adjustable Square Smart Fix



SG 11154
Universal Smart Fix 120 mm

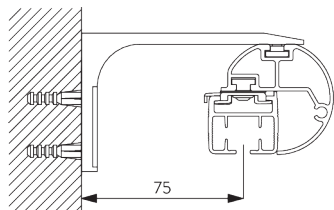


SG 11155
Universal Smart Fix 150 mm

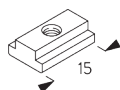


SG 11156
Universal Smart Fix 200 mm

Fillet Bracket SG 11669



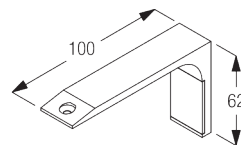
Screw SG 6784 (M4x8) needed.
Recommended for straight systems only.



SG 6141
Clamping piece



SG 6784
Hexagon socket countersunk
screw M4x8 mm



SG 11669
Fillet bracket

DESIGN & SYSTEM OPTIONS

A. ENDCAPS



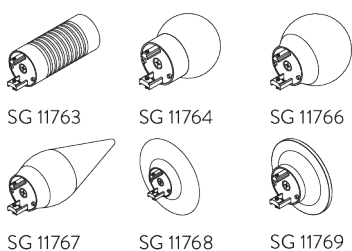
Endcaps:

- SG 11605 Flush endcap 50 mm
- SG 11651 Stud endcap 50 mm
- SG 11652 Design endcap 50 mm

Please note:

- Without finials, poles are supplied as standard with flush fitting endcaps SG 11605 (left).
- Alternatively, stud endcaps SG 11651 can be selected at no additional cost.

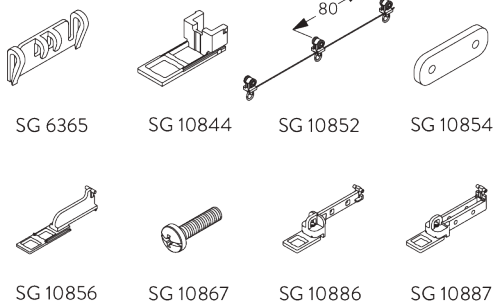
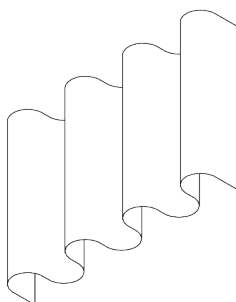
B. FINIALS



Finials are decorative elements that fit on at the end of the pole:

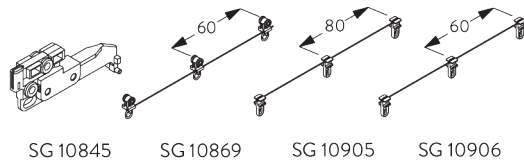
- SG 11763 Groove cylinder 50 mm
- SG 11764 Glass ball 50 mm
- SG 11766 Ball end 50 mm
- SG 11767 Spear 50 mm
- SG 11768 Ellipse 50 mm
- SG 11769 Taper 50 mm

C. WAVE WITH SG 5600

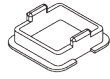


Standard components with SG 5600:

- SG 6365 Wave hanger
- SG 10844 Wave end stop
- SG 10852 Wave 2C roller cord, 80 mm
- SG 10854 Wave overlap arm support
- SG 10856 Wave end stop, belt return
- SG 10867 Panhead screw
- SG 10886 Wave extension
- SG 10887 Wave overlap arm set



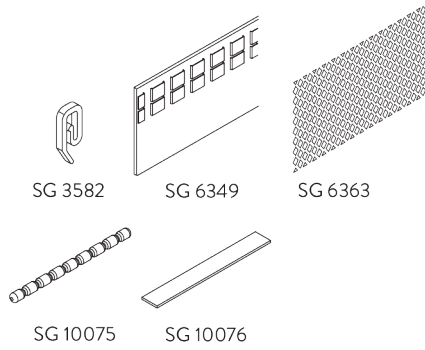
SG 10845 SG 10869 SG 10905 SG 10906



SG 10924

Optional components with SG 5600:

- SG 10845 Wave master carrier single stack 80 mm
- SG 10869 Wave 2C roller cord, 60 mm (no single stack)
- SG 10905 Wave glider cord, 80 mm
- SG 10906 Wave glider cord, 60 mm (no single stack)
- SG 10924 Wave glider support

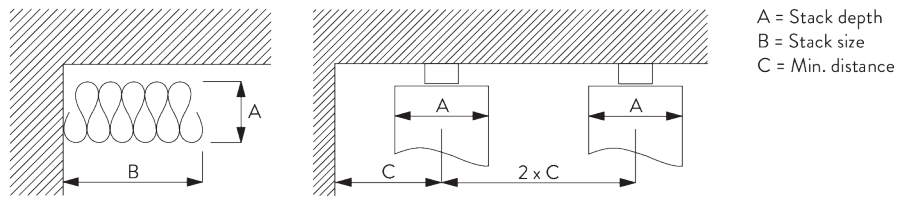


SG 3582 SG 6349 SG 6363
SG 10075 SG 10076

Curtain components with SG 5600:

- SG 3582 Hook
- SG 6349 Wave curtain tape
- SG 6363 Wave top hemming tape
- SG 10075 Lead weight 50 gr/m
- SG 10076 Fabric weight

Wave stack depth - 2C roller / glider cord (standard components)



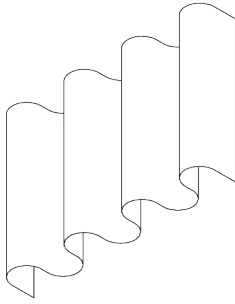
A = Stack depth
B = Stack size
C = Min. distance

Roller / glider cord SG 10852 / 10905	Pockets between hooks	Approx. curtain fullness	Stack depth A	Stack size B*	Min distance C
80	6	~2.1	140	210 per metre of track	90
80	7	~2.3	160	210 per metre of track	100

Roller / glider cord SG 10869 / 10906	Pockets between hooks	Approx. curtain fullness	Stack depth A	Stack size B*	Min distance C
60	4	~2.1	100	260 per metre of track	70
60	5	~2.3	120	260 per metre of track	80

*Stack size B plus 195 mm for each curtain stack

**D. WAVE WITH
SG 5100**



SG 6365



SG 10854



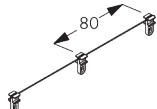
SG 10856



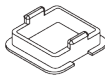
SG 10867



SG 10887



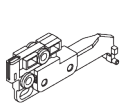
SG 10905



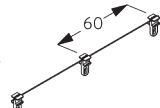
SG 10924

Standard components with SG 5100:

- SG 6365 Wave hanger
- SG 10854 Wave overlap arm support
- SG 10856 Wave end stop, belt return
- SG 10867 Panhead screw
- SG 10887 Wave overlap arm set
- SG 10905 Wave glider cord 80 mm
- SG 10924 Wave glider support



SG 10845



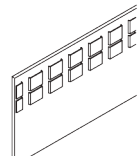
SG 10906

Optional components with SG 5100:

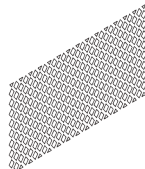
- SG 10845 Wave master carrier single stack 80 mm
- SG 10906 Wave glider cord 60 mm (no single stack)



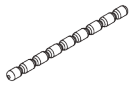
SG 3582



SG 6349



SG 6363



SG 10075

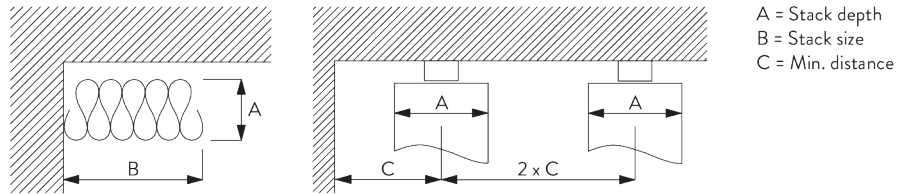


SG 10076

Curtain components with SG 5100:

- SG 3582 Hook
- SG 6349 Wave curtain tape
- SG 6363 Wave top hemming tape
- SG 10075 Lead weight 50 gr/m
- SG 10076 Fabric weight

Wave stack depth - glider cord (standard components)



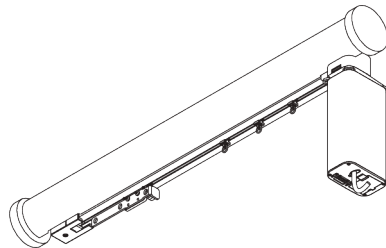
Glider cord SG 10905	Pockets between hooks	Approx. curtain fullness	Stack depth A	Stack size B*	Min distance C
80	6	~2.1	140	180 per metre of track	90
80	7	~2.3	160	180 per metre of track	100

Glider cord SG 10906	Pockets between hooks	Approx. curtain fullness	Stack depth A	Stack size B*	Min distance C
60	4	~2.1	100	230 per metre of track	70
60	5	~2.3	120	230 per metre of track	80

*Stack size B plus 195 mm for each curtain stack

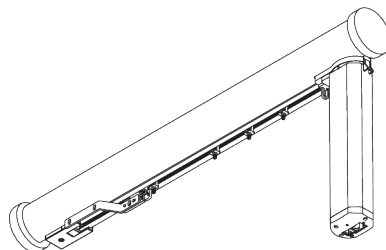
MOTORS & CONTROLS

Electric curtain track system SG 5600



For detailed motor features and specifications and control options, refer to SG 5600 catalogue.

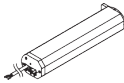
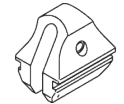

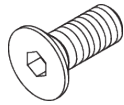
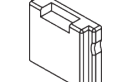

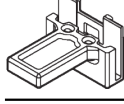
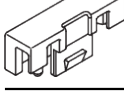
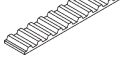
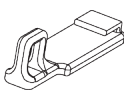
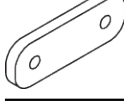
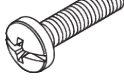
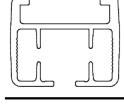

Electric curtain track system SG 5100

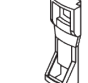


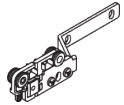
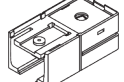
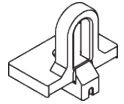

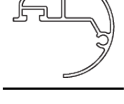


For detailed motor features and specifications and control options, refer to SG 5100 catalogue.


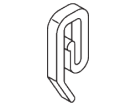
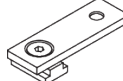
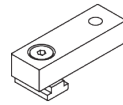
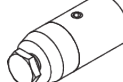

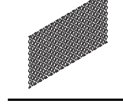
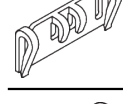

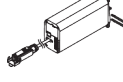
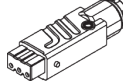


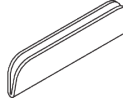
PARTS

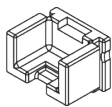
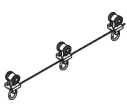
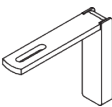
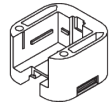
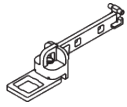
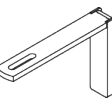
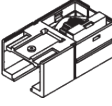
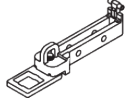
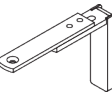
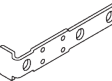


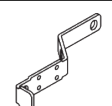
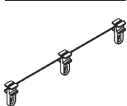
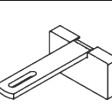
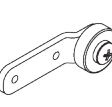
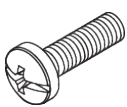
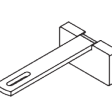
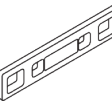
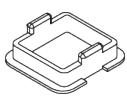
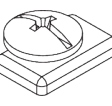
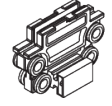
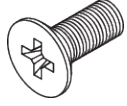
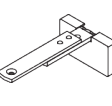

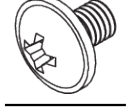
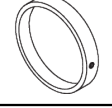
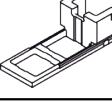
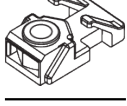
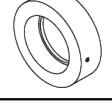
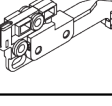
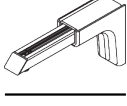
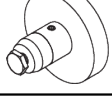
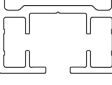
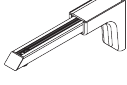
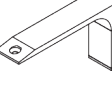
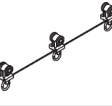
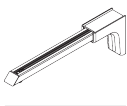
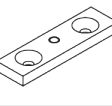
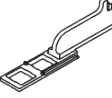
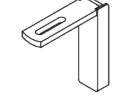
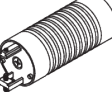
A. STANDARD PARTS

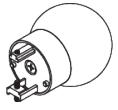
	SG 5190 Motor 100-240V AC, 1/130, radio receiver
	SG 6086 Spring stop
	SG 6141 Clamping piece
	SG 6783 Hexagon socket countersunk screw M4x10 mm
	SG 10815 Cover
	SG 10822 Master carrier
	SG 10823 Belt connector arm
	SG 10824 Belt connector pin
	SG 10825 Belt
	SG 10836 Mask pair stack
	SG 10854 Wave overlap plate
	SG 10867 Pan head screw Freedriv M4x16
	SG 10925 Profile
	SG 10926 Clamp

	SG 10927 Hook
	SG 10931 Roller
	SG 10933 Gear drive set
	SG 10936 Overlap arm
	SG 10940 Guide return
	SG 10945 End stop
	SG 11605 Flush end cap 50 mm
	SG 11608 Profile

B. OPTIONAL PARTS

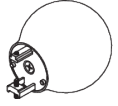
	SG 3004 Clamp
	SG 3582 Hook
	SG 6151 Ceiling support set 3 mm
	SG 6152 Ceiling support set 9 mm
	SG 6175 Mini hanger
	SG 6349 Wave curtain tape
	SG 6363 Wave top hemming tape
	SG 6365 Wave hanger
	SG 6784 Hexagon socket countersunk screw M4x8 mm
	SG 9060 Motor 100-250V AC & 24V DC
	SG 9917 Hirschmann portable socket-outlet STAK 3 N
	SG 10075 Lead weight 50 g/m
	SG 10076 Fabric weight
	SG 10725 Programming distance holder

	SG 10816 Cover		SG 10869 Wave 2C roller cord 60 mm		SG 11207 Smart Fix with slot 80 mm
	SG 10817 Motor holder		SG 10886 Wave extension		SG 11208 Smart Fix with slot 100 mm
	SG 10819 Belt return		SG 10887 Wave extension		SG 11209 Adjustable Smart Fix
	SG 10820 Overlap arm		SG 10905 Wave glider cord 80 mm		SG 11216 Square Smart Fix with slot 60 mm
	SG 10821 Overlap arm		SG 10906 Wave glider cord 60 mm		SG 11217 Square Smart Fix with slot 80 mm
	SG 10826 Overlap arm support		SG 10923 Pan head screw Freedriv M4x12		SG 11218 Square Smart Fix with slot 100 mm
	SG 10837 Pilot runner		SG 10924 Wave glider support		SG 11295 End stop
	SG 10838 Pilot runner		SG 11127 Countersunk head screw M4x10		SG 11472 Adjustable Square Smart Fix
	SG 10840 2C roller		SG 11131 Pan head screw with flange M4x6		SG 11651 Stud endcap 50 mm
	SG 10844 Wave end stop		SG 11148 Nut		SG 11652 Design endcap 50 mm
	SG 10845 Wave master carrier		SG 11154 Universal Smart Fix 120 mm		SG 11668 Top fix bracket
	SG 10850 Profile		SG 11155 Universal Smart Fix 150 mm		SG 11669 Fillet bracket
	SG 10852 Wave 2C roller cord 80 mm		SG 11156 Universal Smart Fix 200 mm		SG 11671 Plate
	SG 10856 Wave extension		SG 11206 Smart Fix with slot 60 mm		SG 11763 Groove cylinder 50 mm



SG 11764

Glass ball 50 mm



SG 11766

Ball end 50 mm



SG 11767

Spear 50 mm



SG 11768

Ellipse 50 mm



SG 11769

Taper 50 mm

The Architects of Silence

Silent Gliss is the leading global supplier of premium interior window treatments. Since 1952 we have been tirelessly committed to the development of the world's smoothest, quietest systems using state of the art technology.

Driven by customer needs, Silent Gliss offers functional and durable products. Expert technical advice coupled with installation and support services complete the offer. Silent Gliss stands for innovative, sustainable, tailor made solutions, exceptional design and first-class quality.

Silent Gliss Ltd.

Pyramid Business Park
Poorhole Lane, Broadstairs
Kent CT10 2PT
United Kingdom
T +44 1843 863571
F +44 1843 864503
info@silentgliss.co.uk

Silent Gliss Global Ltd.

Pyramid Business Park
Poorhole Lane, Broadstairs
Kent CT10 2PT
United Kingdom
T +44 1843 874250
F +44 1843 864503
info@silentglissglobal.com

Silent Gliss Blinds Trading LLC

Office 1906
The H Hotel Complex
Trade Center First
Dubai
United Arab Emirates
T +971 4 7050318
info@silentgliss.ae

silentgliss.co.uk
silentglissglobal.com
silentgliss.ae