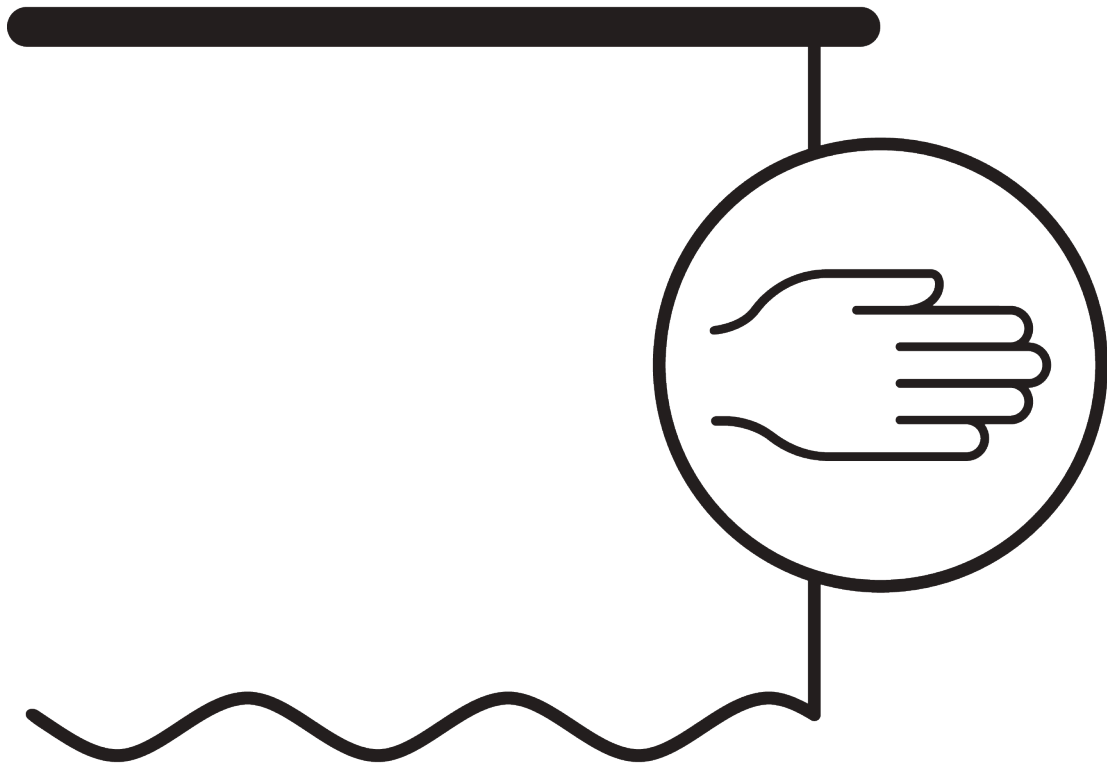


HAND OPERATED CURTAIN TRACK SYSTEMS



GENERAL NOTES

Dimensions

- Measurements are in mm except where indicated.
- Max. kg relates to fabric incl. accessories.
- Stack size depends on curtain make-up and fabric thickness.
- Distance between gliders max. 80 mm / distance between rollers max. 100 mm.
- Recommended distance floor / fabric: 20 mm.
- In order to determine system height (B), the smallest room height must be taken into account.






































Fitting









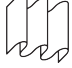
- Installation by qualified fitter only.
- Number of brackets and fitting positions / fixing points vary depending on fitting surface, system weight, fabric make-up, screw / fixing type and obstacles.
- Qualified fitter must use appropriate screws / fixings for each situation.
- Profile lip if applicable to be installed to room side.

Child Safety

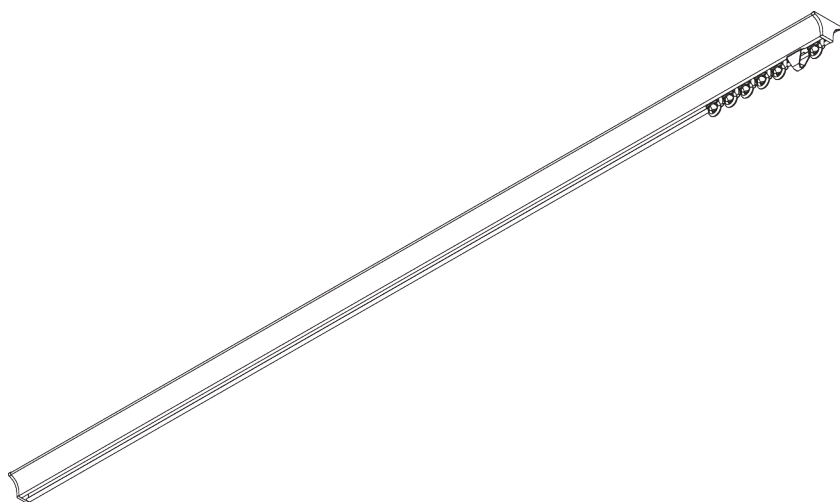
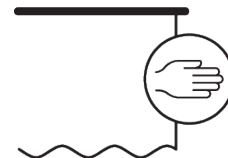
- All relevant Silent Gliss systems correspond to child safety EN 13120.
- All parties involved must comply with EN 13120.

APPLICATION CHART

<u>PAGE</u>	<u>SYSTEM</u>	<u>OPERATION</u>	<u>DIMENSION</u>	<u>DESIGN</u>	<u>WAVE</u>	kg _{max.}
5	SG 1020		S			10 kg
9	SG 1021		S			
13	SG 1025		S			
17	SG 1070		S			
21	SG 1080		S			
29	SG 1090		S			
35	SG 1280		M - L			
41	SG 3600					10 kg
45	SG 6010		S - M			
53	SG 6021		S - M			
57	SG 6243		S - M			
63	SG 6290		S - M			
67	SG 6293		M - L			
71	SG 6380		M - L			
79	SG 6465		S - M			
85	SG 6820		S - M			10 kg

<u>PAGE</u>	<u>SYSTEM</u>	<u>OPERATION</u>	<u>DIMENSION</u>	<u>DESIGN</u>	<u>WAVE</u>	kg _{max.}
91	SG 6840		M - L			
101	SG 6870		M - L			
111	SG 6970		M - L			

SG 1020



PRODUCT INFORMATION

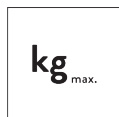
- **Operation:** hand
- **Range:** S
- **Fitting:** ceiling
- **Colours:** white RAL 9016; special colours or anodised aluminum possible
- **Fabrics:** refer to Silent Gliss fabric collection

Features:

- Symmetrical funnel design
- Bendable

SYSTEM SPECIFICATIONS

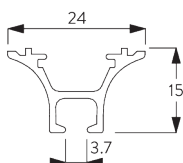
A. SYSTEM DIMENSIONS



10 kg

B. PROFILE

Profile and bending information



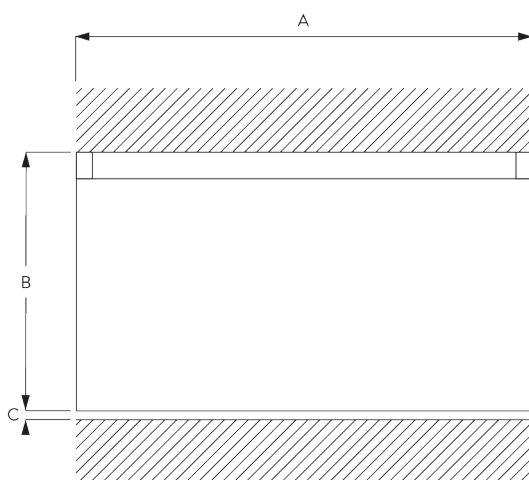
SG 6822

Profile Funnel



Radius:
>27 cm

C. HOW TO MEASURE



A: System width
B: System height
C: Distance between floor and fabric

D. SPECIFICATION TEXT

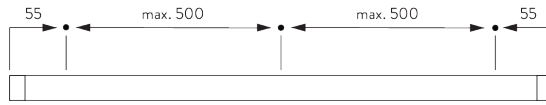
Silent Gliss SG 1020 Hand Operated Curtain Track System. Comprises aluminium profile SG 6822 supplied made to measure powder coated white, with gliders SG 3533 at 14/m and 2 end covers SG 6824 and 2 end stops SG 3016 per length. Top fixed with clip brackets SG 11236 at max. 500 mm centres.

FITTING

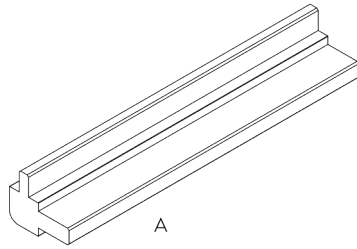
A. FITTING INFORMATION

For detailed fitting information, visit the *Silent Gliss* website.

Fixing points



Fitting Tool

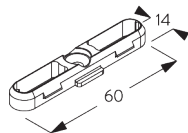
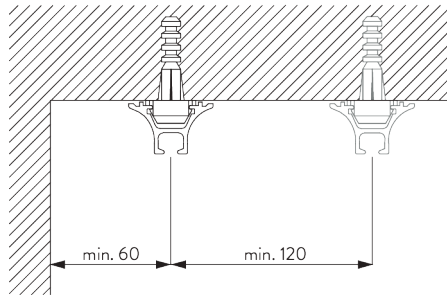


A: Funnel fitting tool SG 6827

For fitting / removing of the funnel profile.

B. CEILING FITTING

Clip SG 11236





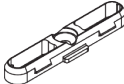


SG 11236






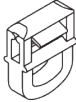



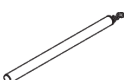
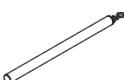
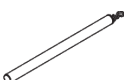
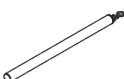
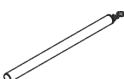
Clip

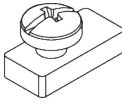
PARTS

A. STANDARD PARTS

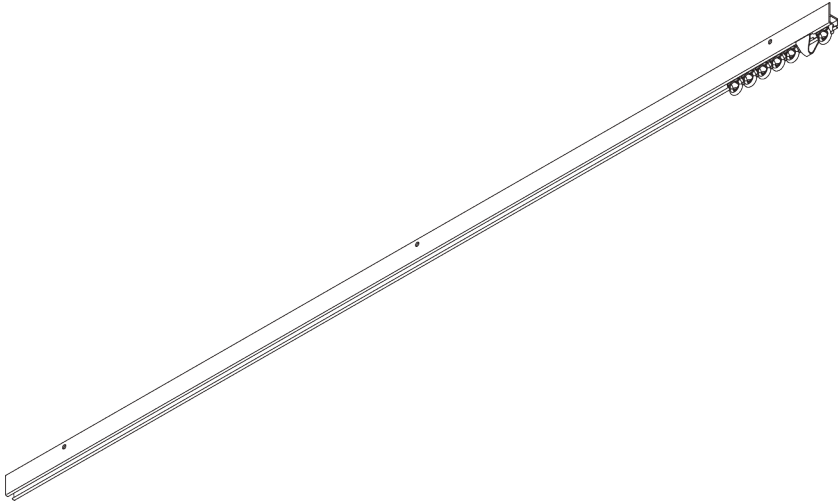
	SG 3016 End stop
	SG 3533 Glider
	SG 6822 Profile Funnel
	SG 6824 End cover
	SG 11236 Clip

B. OPTIONAL PARTS

	SG 3062 Connection bridge
	SG 3070 End stop
	SG 3071 End stop
	SG 3511 Glider
	SG 3534 Glider 3533 on strip
	SG 3548 Glider
	SG 3570 Glider
	SG 3582 Hook
	SG 3599 Hook
	SG 10430 Draw rod 50 cm
	SG 10431 Draw rod 75 cm
	SG 10432 Draw rod 100 cm
	SG 10433 Draw rod 125 cm
	SG 10434 Draw rod 150 cm

	SG 11335 End stop
---	-----------------------------

SG 1021



PRODUCT INFORMATION

- **Operation:** hand
- **Range:** S
- **Fitting:** wall
- **Colours:** white RAL 9016; special colours or anodised aluminum possible
- **Fabrics:** refer to Silent Gliss fabric collection

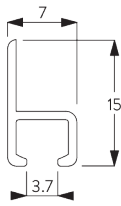
Features:

- Pre-drilled profile
- Bendable

SYSTEM SPECIFICATIONS

A. PROFILE

Profile and bending information

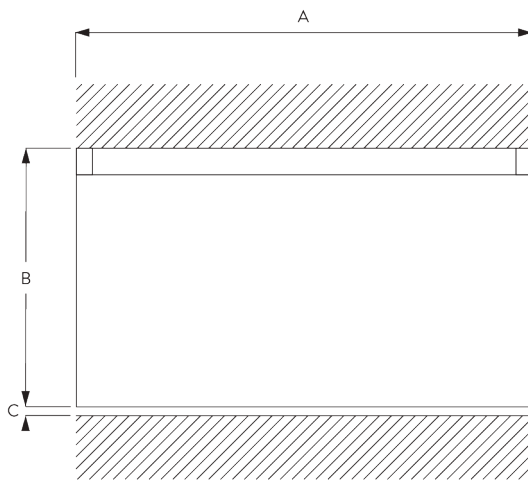


SG 1021p

Profile

Radius:
✓ 6 cm, 10 cm

B. HOW TO MEASURE



A: System width

B: System height

C: Distance between floor and fabric

C. SPECIFICATION

TEXT

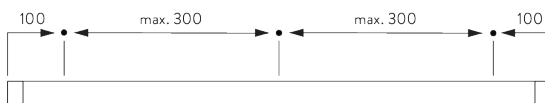
Silent Gliss SG 1021 Hand Operated Curtain Track System. Comprises aluminium profile SG 1021 supplied made to measure powder coated white/ silver anodised with gliders SG 3533 at 14/m and 2 end stops SG 3016 per length. Face fixed to timber only with screw SG6835 at max. 300mm centres.

FITTING

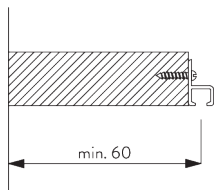
A. FITTING INFORMATION

Fixing points

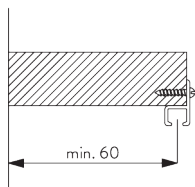
For detailed fitting information, visit the [Silent Gliss website](#).



B. FACE FITTING


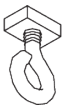

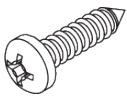


**C. FACE FITTING
(ALTERNATIVE)**



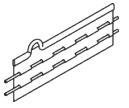


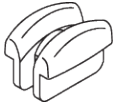

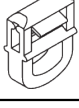
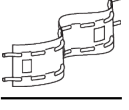


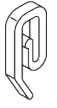
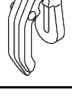



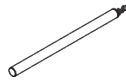

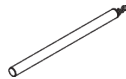
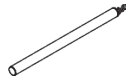
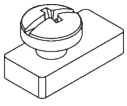
PARTS

A. STANDARD PARTS

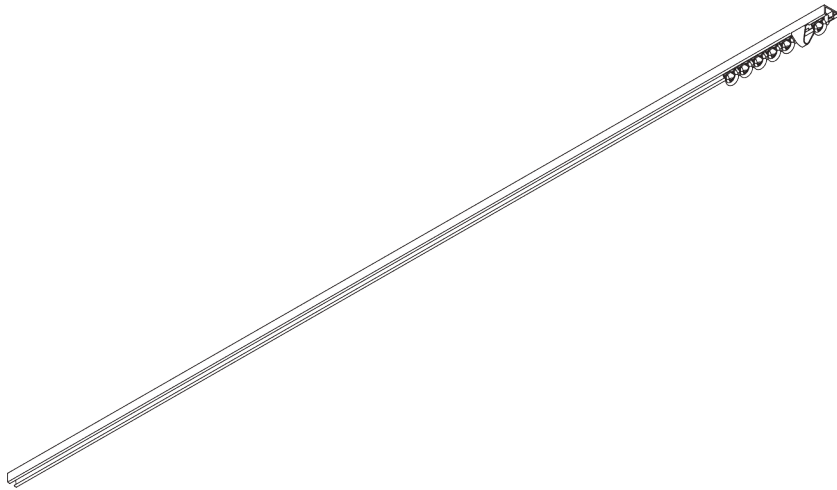
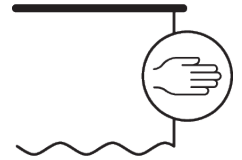
	SG 1021p Profile
	SG 3016 End stop
	SG 3533 Glider
	SG 10896 Pan head screw 2.9x13

B. OPTIONAL PARTS

	SG 3020 Hook
	SG 3032 Spring stop
	SG 3068 Frizzing tape
	SG 3070 End stop
	SG 3071 End stop
	SG 3511 Glider
	SG 3534 Glider 3533 on strip
	SG 3548 Glider
	SG 3562 Heading tape
	SG 3570 Glider
	SG 3571 Hook
	SG 3582 Hook
	SG 3599 Hook
	SG 10430 Draw rod 50 cm

	SG 10431 Draw rod 75 cm
	SG 10432 Draw rod 100 cm
	SG 10433 Draw rod 125 cm
	SG 10434 Draw rod 150 cm
	SG 11335 End stop

SG 1025



PRODUCT INFORMATION

- **Operation:** hand
- **Range:** S
- **Fitting:** ceiling
- **Colours:** white RAL 9016; special colours or anodised aluminum possible
- **Fabrics:** refer to Silent Gliss fabric collection

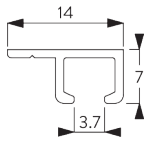
Features:

- Pre-drilled profile
- Bendable

SYSTEM SPECIFICATIONS

A. PROFILE

Profile and bending information

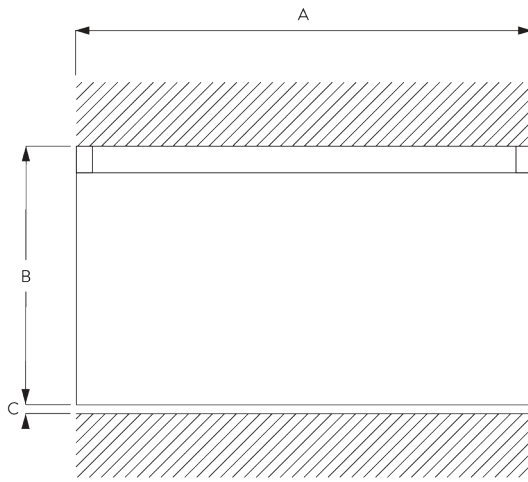


SG 1025p

Profile

Radius:
✓ 6 cm, 10 cm

B. HOW TO MEASURE



A: System width
B: System height
C: Distance between floor and fabric

C. SPECIFICATION TEXT

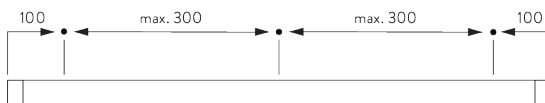
Silent Gliss SG 1025 Hand Operated Curtain Track System. Comprises aluminium profile SG 1025 supplied made to measure powder coated white/ silver anodised with gliders SG 3533 at 14/m and 2 end stops SG 3016 per length. Top fixed to timber only with screw SG 6835 at max. 300 mm centres.

FITTING

A. FITTING INFORMATION

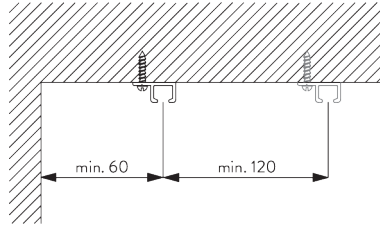
Fixing points

For detailed fitting information, visit the [Silent Gliss website](#).



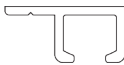


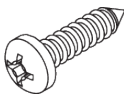
B. CEILING FITTING

Direct into wood


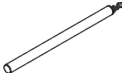


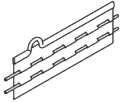


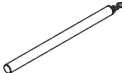

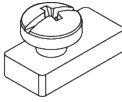
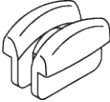

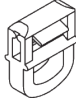
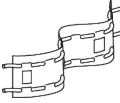




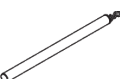


PARTS

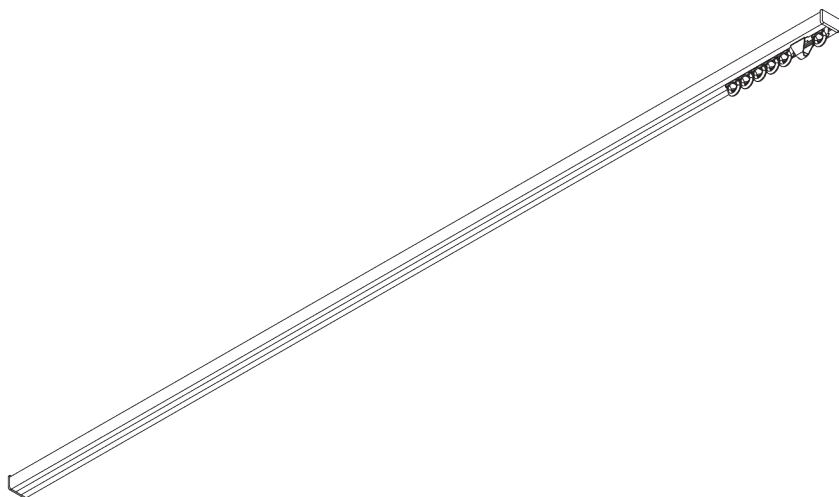
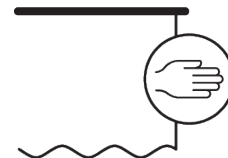
A. STANDARD PARTS

	SG 1025p Profile
	SG 3016 End stop
	SG 3533 Glider
	SG 10896 Pan head screw 2.9x13

B. OPTIONAL PARTS

	SG 3020 Hook		SG 10431 Draw rod 75 cm
	SG 3032 Spring stop		SG 10432 Draw rod 100 cm
	SG 3068 Frizzing tape		SG 10433 Draw rod 125 cm
	SG 3070 End stop		SG 10434 Draw rod 150 cm
	SG 3071 End stop		SG 11335 End stop
	SG 3511 Glider		
	SG 3534 Glider 3533 on strip		
	SG 3548 Glider		
	SG 3562 Heading tape		
	SG 3570 Glider		
	SG 3571 Hook		
	SG 3582 Hook		
	SG 3599 Hook		
	SG 10430 Draw rod 50 cm		

SG 1070



PRODUCT INFORMATION

- **Operation:** hand
- **Range:** S
- **Fitting:** ceiling
- **Colours:** white RAL 9016; special colours or anodised aluminum possible
- **Fabrics:** refer to Silent Gliss fabric collection

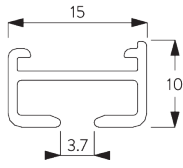
Features:

- Bendable

SYSTEM SPECIFICATIONS

A. PROFILE

Profile and bending information

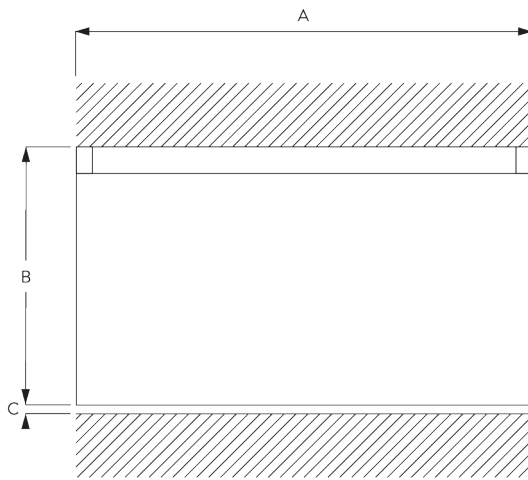


SG 1071

Profile

Radius:
8 cm, 12 cm, 16 cm,
>25 cm

B. HOW TO MEASURE



A: System width

B: System height

C: Distance between floor and fabric

C. SPECIFICATION TEXT

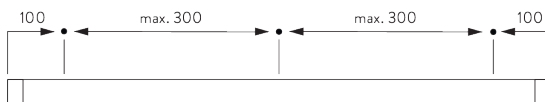
Silent Gliss SG 1070 Hand Operated Curtain Track System. Comprises aluminium profile SG 1071 supplied made to measure powder coated white, with gliders SG 3533 at 14/m and 2 end covers SG 1072 and 2 end stops SG 3016 per length. Top fixed with clamps SG 3060 at max. 300 mm centres.

FITTING

A. FITTING INFORMATION

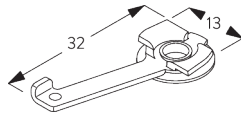
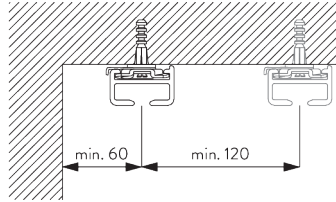
Fixing points

For detailed fitting information, visit the [Silent Gliss website](#).



B. CEILING FITTING

Clamp SG 3060

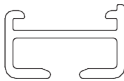
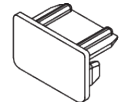
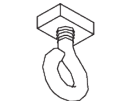
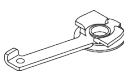



SG 3060


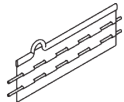




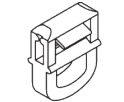
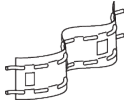



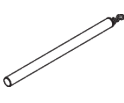
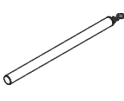
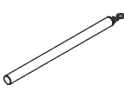
Clamp

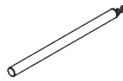
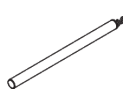
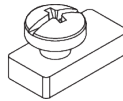
PARTS

A. STANDARD PARTS

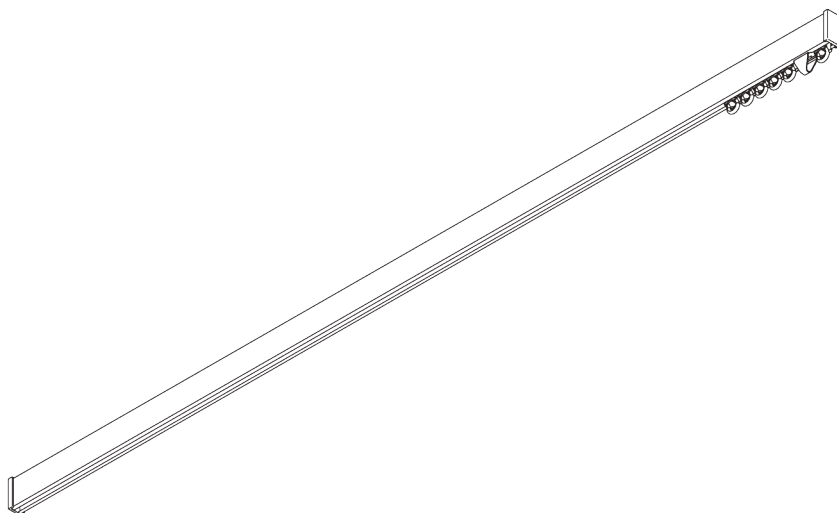
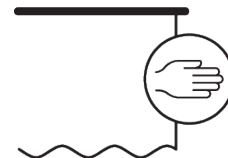
	SG 1071 Profile
	SG 1072 End cover
	SG 3016 End stop
	SG 3060 Clamp
	SG 3533 Glider

B. OPTIONAL PARTS

	SG 3062 Connection bridge
	SG 3068 Frizzing tape
	SG 3070 End stop
	SG 3071 End stop
	SG 3511 Glider
	SG 3534 Glider 3533 on strip
	SG 3548 Glider
	SG 3562 Heading tape
	SG 3570 Glider
	SG 3582 Hook
	SG 3599 Hook
	SG 10430 Draw rod 50 cm
	SG 10431 Draw rod 75 cm
	SG 10432 Draw rod 100 cm

	SG 10433 Draw rod 125 cm
	SG 10434 Draw rod 150 cm
	SG 11335 End stop

SG 1080



PRODUCT INFORMATION

- **Operation:** hand
- **Range:** S
- **Fitting:** ceiling, wall, suspended
- **Colours:** white RAL 9016, black RAL 9005 or anodised aluminum, special colours possible
- **Fabrics:** refer to Silent Gliss fabric collection

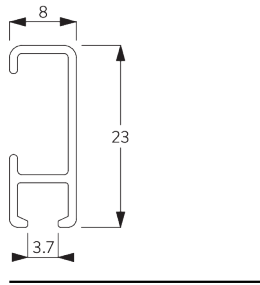
Features:

- Bendable

SYSTEM SPECIFICATIONS

A. PROFILE

Profile and bending information

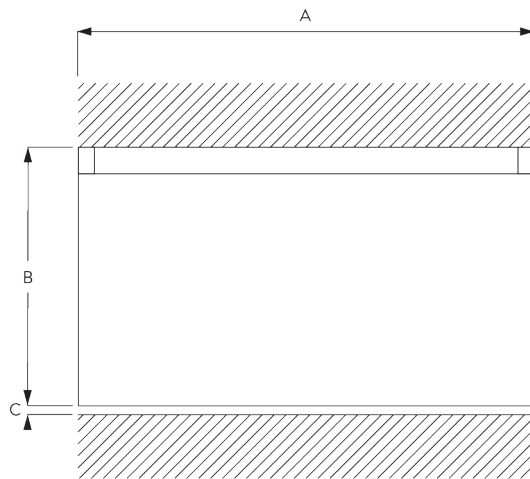


SG 1080p

Profile

Radius:
✓ 6 cm, 10 cm, >30 cm

B. HOW TO MEASURE



A: System width

B: System height

C: Distance between floor and fabric

C. SPECIFICATION

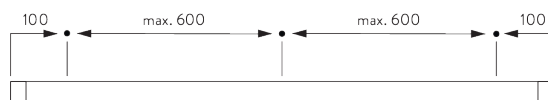
TEXT

Silent Gliss SG 1080 Hand Drawn Curtain Track System. Comprises aluminium profile SG 1080 supplied made to measure in silver anodised or powder coated white / matt white / anodic grey / antique bronze / charcoal / black with gliders SG 3533 at 14/m and 2 end covers SG 3667 / end stops SG 3016 per length. Top fixed with brackets SG 3603 at max. 600mm centres / wall fix with universal brackets SG 3630 / SG 3655 / SG 3660 / SG Smart Fix at max. 600mm centres.

FITTING

A. FITTING INFORMATION

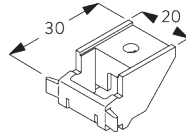
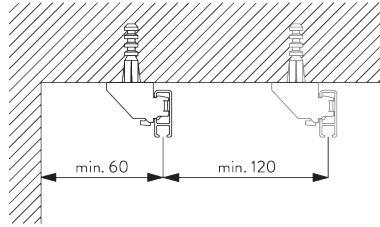
Fixing points



For detailed fitting information, visit the [Silent Gliss website](#).

B. CEILING FITTING

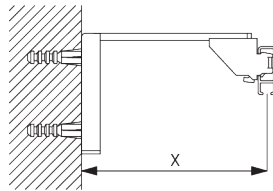
Bracket SG 3603



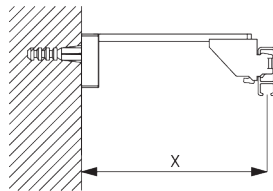
SG 3603
Bracket

C. WALL FITTING

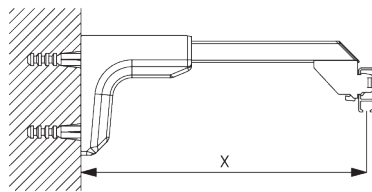
Smart Fix



Smart Fix SG 11200 - SG 11205 and bracket SG 3603:
Screw SG 10492 (M4x8) needed.

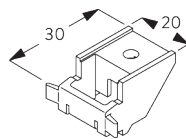


Square Smart Fix SG 11210 - SG 11215 and bracket SG 3603:
Screw SG 10492 (M4x8) needed.



Universal Smart Fix SG 11154 - SG 11156 and bracket SG 3603:
Screw SG 10277 (M4x12) needed.

Smart Fix	X mm
SG 11200 / SG 11210	70
SG 11201 / SG 11211	90
SG 11202 / SG 11212	110
SG 11203 / SG 11213	130
SG 11204 / SG 11214	160
SG 11205 / SG 11215	210
SG 11154	120-148
SG 11155	150-178
SG 11156	200-228



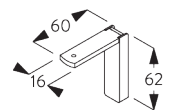
SG 3603
Bracket



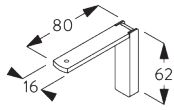
SG 10492
Pan head screw M4x8



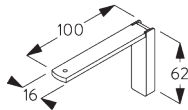
SG 10277
Pan head screw M4x12



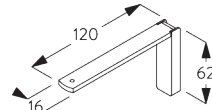
SG 11200
Smart Fix 60 mm



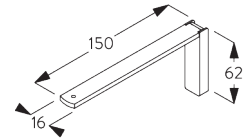
SG 11201
Smart Fix 80 mm



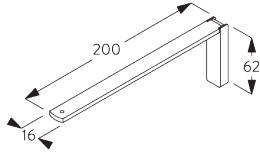
SG 11202
Smart Fix 100 mm



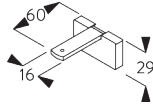
SG 11203
Smart Fix 120 mm



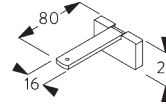
SG 11204
Smart Fix 150 mm



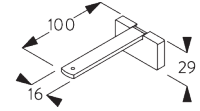
SG 11205
Smart Fix 200 mm



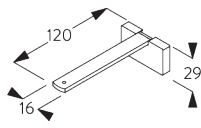
SG 11210
Square Smart Fix 60 mm



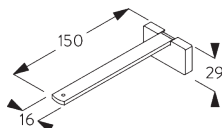
SG 11211
Square Smart Fix 80 mm



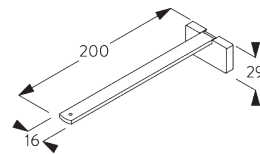
SG 11212
Square Smart Fix 100 mm



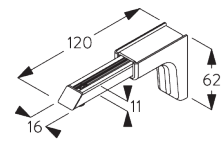
SG 11213
Square Smart Fix 120 mm



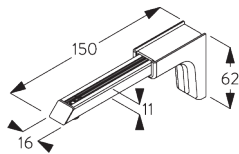
SG 11214
Square Smart Fix 150 mm



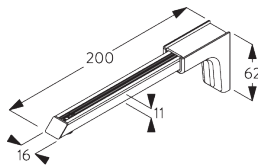
SG 11215
Square Smart Fix 200 mm



SG 11154
Universal Smart Fix 120 mm

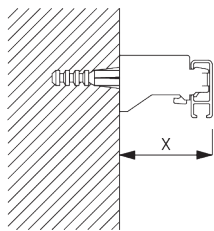


SG 11155
Universal Smart Fix 150 mm

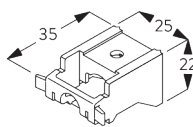


SG 11156
Universal Smart Fix 200 mm

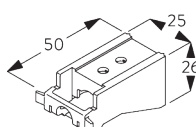
**Universal brackets
SG 3630, SG 3655,
SG 3660**



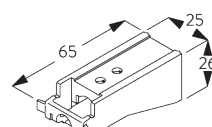
Bracket	X mm
SG 3630	33
SG 3655	48
SG 3660	63



SG 3630
Bracket 35 mm



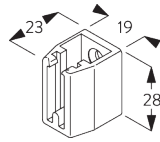
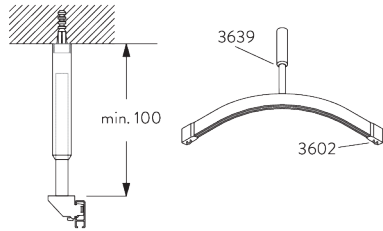
SG 3655
Bracket 50 mm



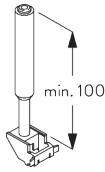
SG 3660
Bracket 65 mm

**D. SUSPENDED
FITTING**

**Hanger SG 3639 /
wall support SG 3602**





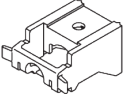
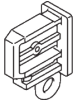
SG 3602
Wall support




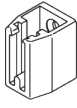

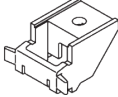

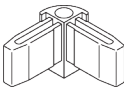

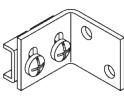

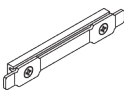

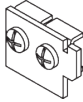

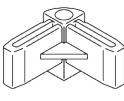


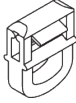

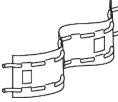
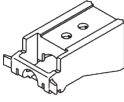

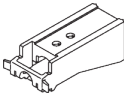



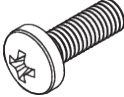

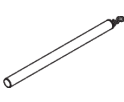
SG 3639
Hanger

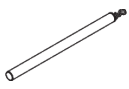
PARTS

A. STANDARD PARTS

	SG 1080p Profile
	SG 3533 Glider
	SG 3630 Bracket 35 mm
	SG 3667 End cover

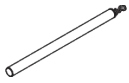
B. OPTIONAL PARTS

	SG 3016 End stop		SG 3602 Wall support
	SG 3020 Hook		SG 3603 Bracket
	SG 3032 Spring stop		SG 3604 Corner connector
	SG 3070 End stop		SG 3618 Wall bracket
	SG 3071 End stop		SG 3620 Connection bridge
	SG 3151 Spacer		SG 3626 Return holder
	SG 3511 Glider		SG 3638 Corner connector
	SG 3534 Glider 3533 on strip		SG 3639 Hanger
	SG 3548 Glider		SG 3648 Eyelet
	SG 3562 Heading tape		SG 3655 Bracket 50 mm
	SG 3570 Glider		SG 3660 Bracket 65 mm
	SG 3571 Hook		SG 6146 Hook
	SG 3582 Hook		SG 10277 Pan head screw M4x12
	SG 3599 Hook		SG 10430 Draw rod 50 cm



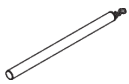
SG 10431

Draw rod 75 cm



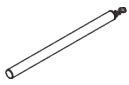
SG 10432

Draw rod 100 cm



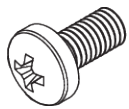
SG 10433

Draw rod 125 cm



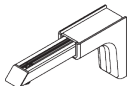
SG 10434

Draw rod 150 cm



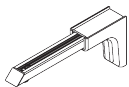
SG 10492

Pan head screw M4x8



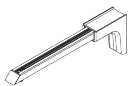
SG 11154

Universal Smart Fix 120 mm



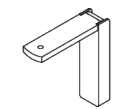
SG 11155

Universal Smart Fix 150 mm



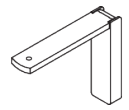
SG 11156

Universal Smart Fix 200 mm



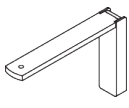
SG 11200

Smart Fix 60 mm



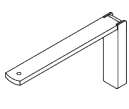
SG 11201

Smart Fix 80 mm



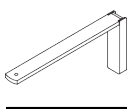
SG 11202

Smart Fix 100 mm



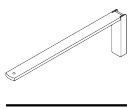
SG 11203

Smart Fix 120 mm



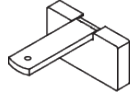
SG 11204

Smart Fix 150 mm



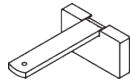
SG 11205

Smart Fix 200 mm



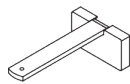
SG 11210

Square Smart Fix 60 mm



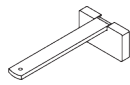
SG 11211

Square Smart Fix 80 mm



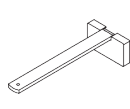
SG 11212

Square Smart Fix 100 mm



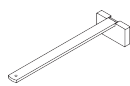
SG 11213

Square Smart Fix 120 mm



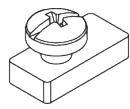
SG 11214

Square Smart Fix 150 mm



SG 11215

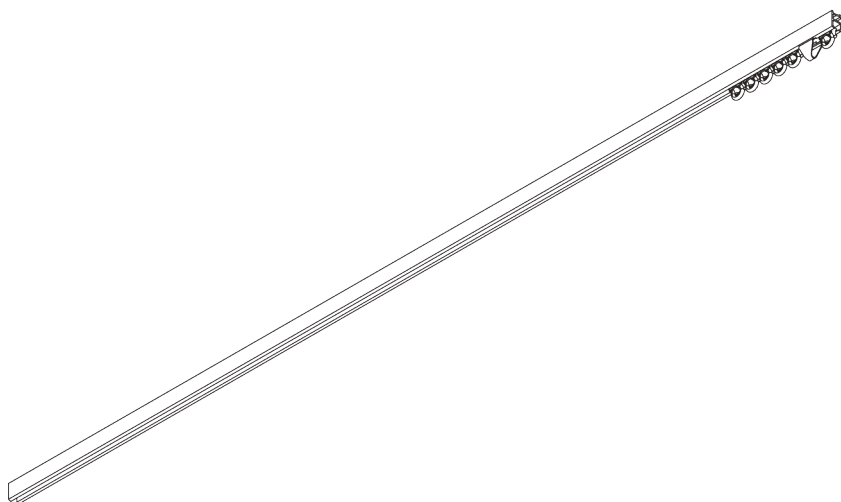
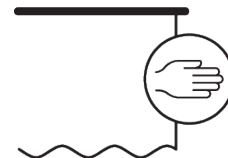
Square Smart Fix 200 mm



SG 11335

End stop

SG 1090



PRODUCT INFORMATION

- **Operation:** hand
- **Range:** S
- **Fitting:** ceiling, wall
- **Colours:** white RAL 9016; special colours or anodised aluminum possible
- **Fabrics:** refer to Silent Gliss fabric collection

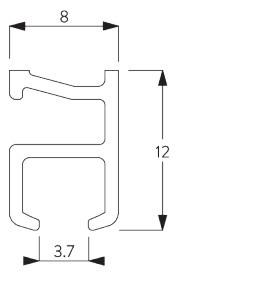
Features:

- Bendable

SYSTEM SPECIFICATIONS

A. PROFILE

Profile and bending information

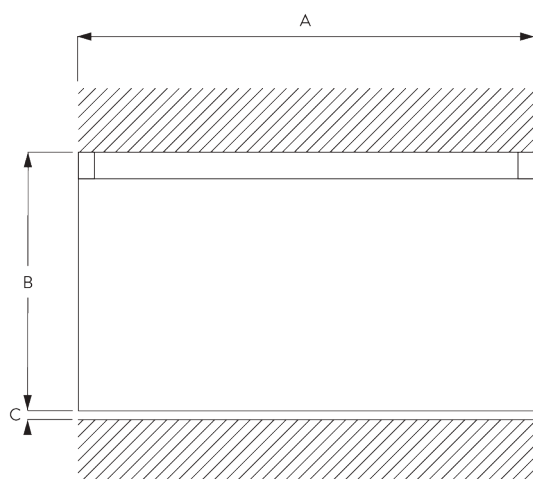


SG 1090p

Profile

Radius:
✓ 6 cm, 10 cm

B. HOW TO MEASURE



A: System width

B: System height

C: Distance between floor and fabric

C. SPECIFICATION

TEXT

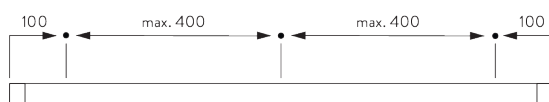
Silent Gliss SG 1090 Hand Operated Curtain Track System. Comprises aluminium profile SG 1090 supplied made to measure in silver anodised or powder coated white, with gliders SG 3533 at 14/m and 2 end stops SG 3016 per length. Face fixed with nylon brackets SG 3175 / SG Smart Fix / top fixed with nylon bracket SG 3176 at max. 400 mm centres.

FITTING

A. FITTING INFORMATION

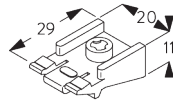
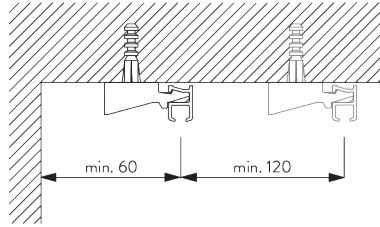
Fixing points

For detailed fitting information, visit the Silent Gliss website.



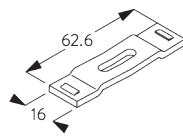
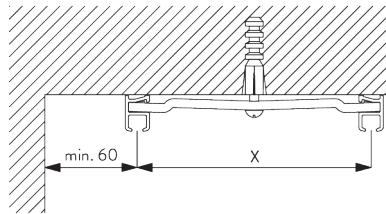
B. CEILING FITTING

Bracket SG 3176

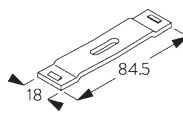


SG 3176
Bracket

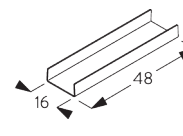
Double ceiling bracket SG 3113 / SG 3115



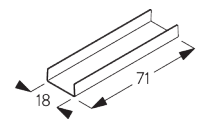
SG 3113
Bracket



SG 3115
Bracket



SG 3255
Cover

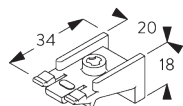
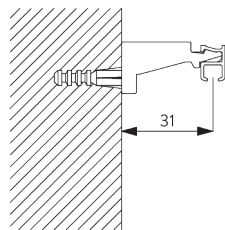


SG 3256
Cover

Bracket	X mm
SG 3113	57
SG 3115	80

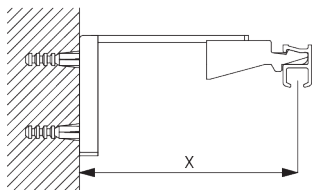
C. WALL FITTING

Bracket SG 3175



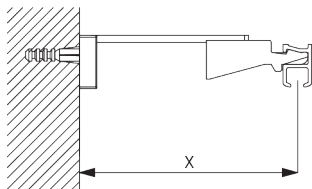
SG 3175
Bracket

Smart Fix

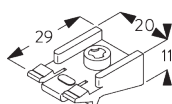


Smart Fix SG 11200 - SG 11205 and bracket SG 3176:
Screw SG 10277 (M4x12) needed.

Smart Fix	X mm
SG 11200 / SG 11210	68
SG 11201 / SG 11211	88
SG 11202 / SG 11212	108
SG 11203 / SG 11213	128
SG 11204 / SG 11214	158
SG 11205 / SG 11215	208



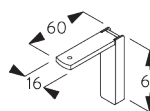
Square Smart Fix SG 11210 - SG 11215 and bracket SG 3176:
Screw SG 10277 (M4x12) needed.



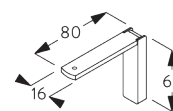
SG 3176
Bracket



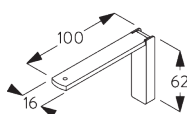
SG 10277
Pan head screw M4x12



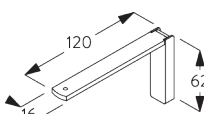
SG 11200
Smart Fix 60 mm



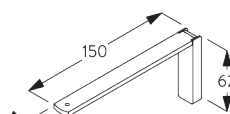
SG 11201
Smart Fix 80 mm



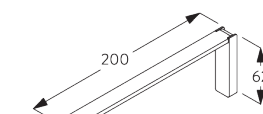
SG 11202
Smart Fix 100 mm



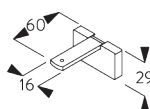
SG 11203
Smart Fix 120 mm



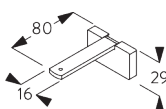
SG 11204
Smart Fix 150 mm



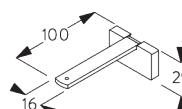
SG 11205
Smart Fix 200 mm



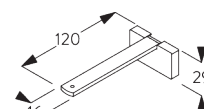
SG 11210
Square Smart Fix 60 mm



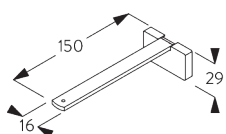
SG 11211
Square Smart Fix 80 mm



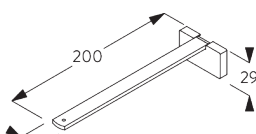
SG 11212
Square Smart Fix 100 mm



SG 11213
Square Smart Fix 120 mm



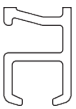

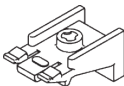

SG 11214
Square Smart Fix 150 mm





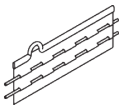
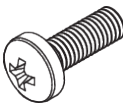

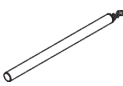
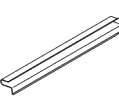

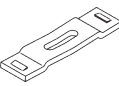
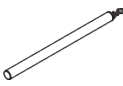

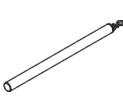
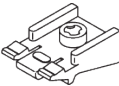
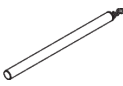
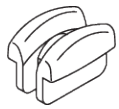
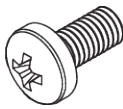

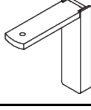
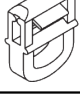
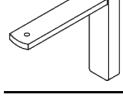
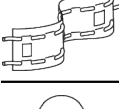
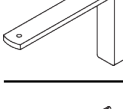
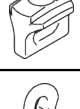
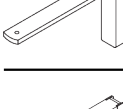

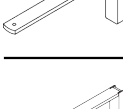
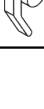
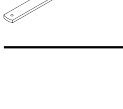
SG 11215
Square Smart Fix 200 mm

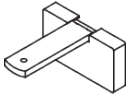
PARTS

A. STANDARD PARTS

	SG 1090p Profile
	SG 3016 End stop
	SG 3175 Bracket
	SG 3533 Glider

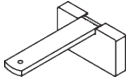
B. OPTIONAL PARTS

	SG 3032 Spring stop		SG 3599 Hook
	SG 3068 Frizzing tape		SG 10277 Pan head screw M4x12
	SG 3071 End stop		SG 10430 Draw rod 50 cm
	SG 3096 Connection bridge		SG 10431 Draw rod 75 cm
	SG 3113 Bracket		SG 10432 Draw rod 100 cm
	SG 3151 Spacer		SG 10433 Draw rod 125 cm
	SG 3176 Bracket		SG 10434 Draw rod 150 cm
	SG 3511 Glider		SG 10492 Pan head screw M4x8
	SG 3534 Glider 3533 on strip		SG 11200 Smart Fix 60 mm
	SG 3548 Glider		SG 11201 Smart Fix 80 mm
	SG 3562 Heading tape		SG 11202 Smart Fix 100 mm
	SG 3570 Glider		SG 11203 Smart Fix 120 mm
	SG 3571 Hook		SG 11204 Smart Fix 150 mm
	SG 3582 Hook		SG 11205 Smart Fix 200 mm



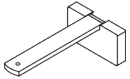
SG 11210

Square Smart Fix 60 mm



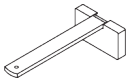
SG 11211

Square Smart Fix 80 mm



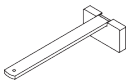
SG 11212

Square Smart Fix 100 mm



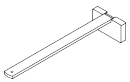
SG 11213

Square Smart Fix 120 mm



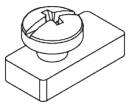
SG 11214

Square Smart Fix 150 mm



SG 11215

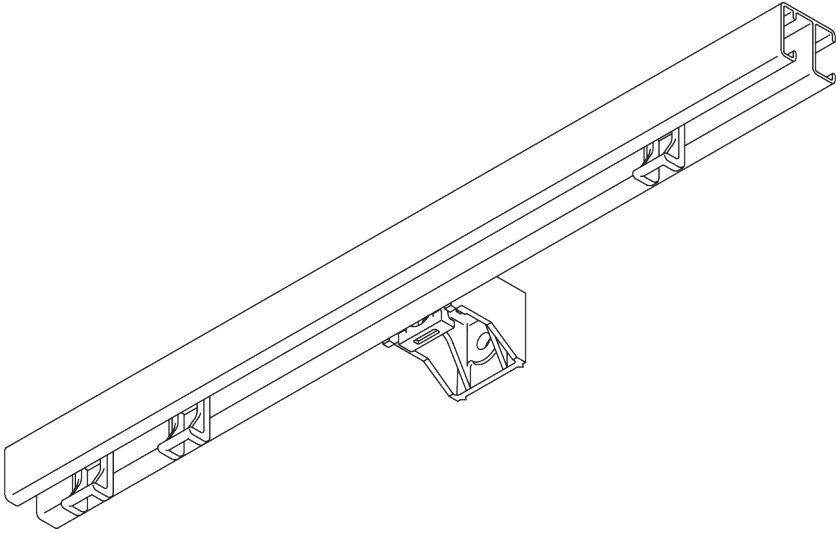
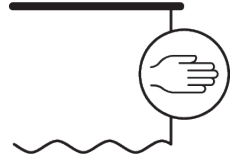
Square Smart Fix 200 mm



SG 11335

End stop

SG 1280



PRODUCT INFORMATION

- **Operation:** hand
- **Range:** M - L
- **Fitting:** ceiling, wall
- **Colours:** white RAL 9016; special colours or anodised aluminum possible
- **Fabrics:** refer to Silent Gliss fabric collection

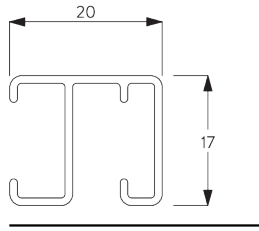
Features:

- Bendable

SYSTEM SPECIFICATIONS

A. PROFILE

Profile and bending information

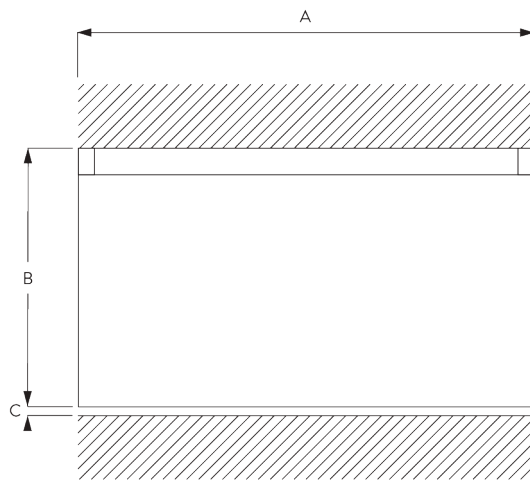


SG 1280p

Profile

Radius:
✓ 15 cm, 20 cm

B. HOW TO MEASURE



A: System width

B: System height

C: Distance between floor and fabric

C. SPECIFICATION TEXT

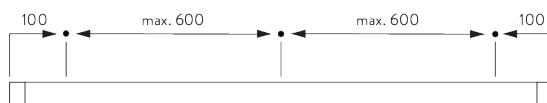
Silent Gliss SG 1280 Hand Operated Curtain Track System. Comprises aluminium profile SG 1280 supplied made to measure in powder coated white, with 2 end covers SG 3985. Face fixed with nylon bracket SG 3630 / SG 3655 / SG 3660 / SG Smart Fix / top fixed with nylon bracket 3603 at max. 600 mm centres.

FITTING

A. FITTING INFORMATION

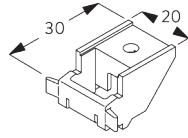
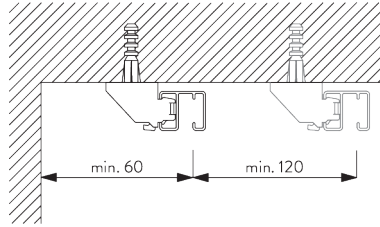
Fixing Points

For detailed fitting information, visit the [Silent Gliss website](#).



B. CEILING FITTING

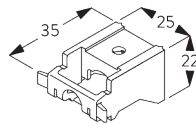
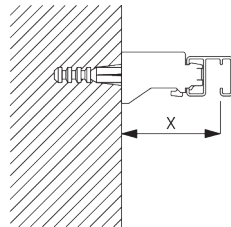
Bracket SG 3603



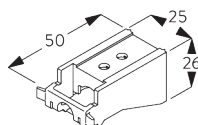
SG 3603
Bracket

C. WALL FITTING

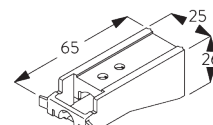
Universal brackets SG 3630, SG 3655, SG 3660



SG 3630
Bracket 35 mm



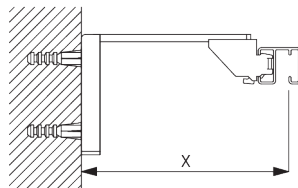
SG 3655
Bracket 50 mm



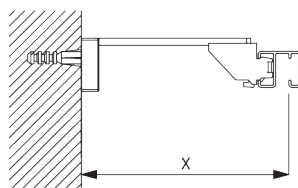
SG 3660
Bracket 65 mm

Bracket	X mm
SG 3630	42
SG 3655	57
SG 3660	72

Smart Fix

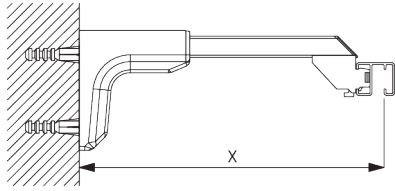


Smart Fix SG 11200 - SG 11204 and bracket SG 3603:
Screw SG 10492 (M4x8) needed.



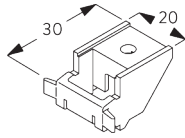
**Square Smart Fix SG 11210 - SG 11214 and
bracket SG 3603:**
Screw SG 10492 (M4x8) needed.

Smart Fix	X mm
SG 11200 / SG 11210	80
SG 11201 / SG 11211	100
SG 11202 / SG 11212	120
SG 11203 / SG 11213	140
SG 11204 / SG 11214	170
SG 11154	130-158
SG 11155	160-188
SG 11156	210-238



**Universal Smart Fix SG 11154 - SG 11156 and
bracket SG 3603:**

Screw SG 10277 (M4x12) needed.



SG 3603

Bracket



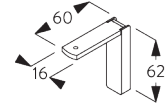
SG 10277

Pan head screw M4x12



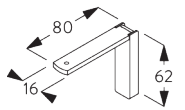
SG 10492

Pan head screw M4x8



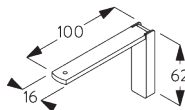
SG 11200

Smart Fix 60 mm



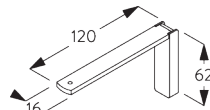
SG 11201

Smart Fix 80 mm



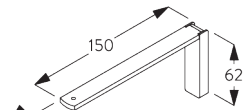
SG 11202

Smart Fix 100 mm



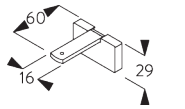
SG 11203

Smart Fix 120 mm



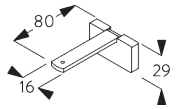
SG 11204

Smart Fix 150 mm



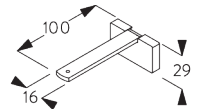
SG 11210

Square Smart Fix 60 mm



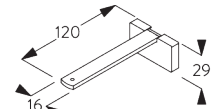
SG 11211

Square Smart Fix 80 mm



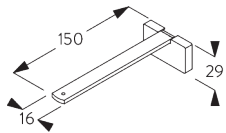
SG 11212

Square Smart Fix 100 mm



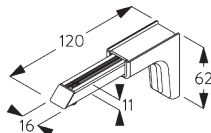
SG 11213

Square Smart Fix 120 mm



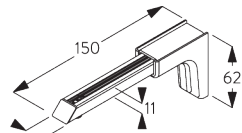
SG 11214

Square Smart Fix 150 mm



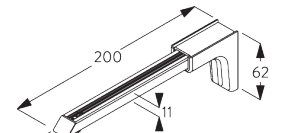
SG 11154

Universal Smart Fix 120 mm



SG 11155

Universal Smart Fix 150 mm

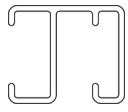


SG 11156

Universal Smart Fix 200 mm

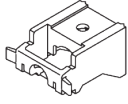
PARTS

A. STANDARD PARTS



SG 1280p

Profile



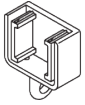
SG 3630

Bracket 35 mm



SG 3911

Roller



SG 3985

End cover

B. OPTIONAL PARTS



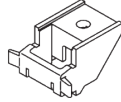
SG 3582

Hook



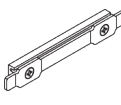
SG 3599

Hook



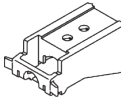
SG 3603

Bracket



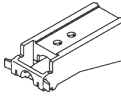
SG 3620

Connection bridge



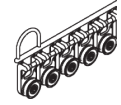
SG 3655

Bracket 50 mm



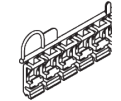
SG 3660

Bracket 65 mm



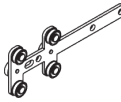
SG 3922

Roller 3911 on strip



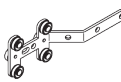
SG 3933

Glider 3933 on strip



SG 3935

Overlap arm



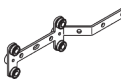
SG 3936

Overlap arm for draw rod



SG 3942

End stop



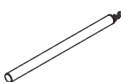
SG 3975

Overlap arm



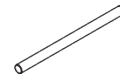
SG 10277

Pan head screw M4x12



SG 10430

Draw rod 50 cm



SG 10431

Draw rod 75 cm



SG 10432

Draw rod 100 cm



SG 10433

Draw rod 125 cm



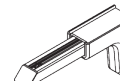
SG 10434

Draw rod 150 cm



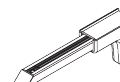
SG 10492

Pan head screw M4x8



SG 1154

Universal Smart Fix 120 mm



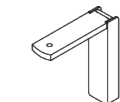
SG 1155

Universal Smart Fix 150 mm



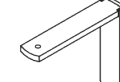
SG 1156

Universal Smart Fix 200 mm



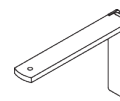
SG 11200

Smart Fix 60 mm



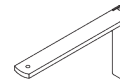
SG 11201

Smart Fix 80 mm



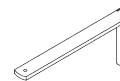
SG 11202

Smart Fix 100 mm



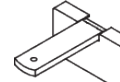
SG 11203

Smart Fix 120 mm



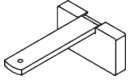
SG 11204

Smart Fix 150 mm

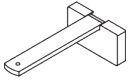


SG 11210

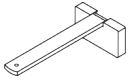
Square Smart Fix 60 mm



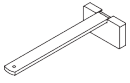
SG 11211
Square Smart Fix 80 mm



SG 11212
Square Smart Fix 100 mm

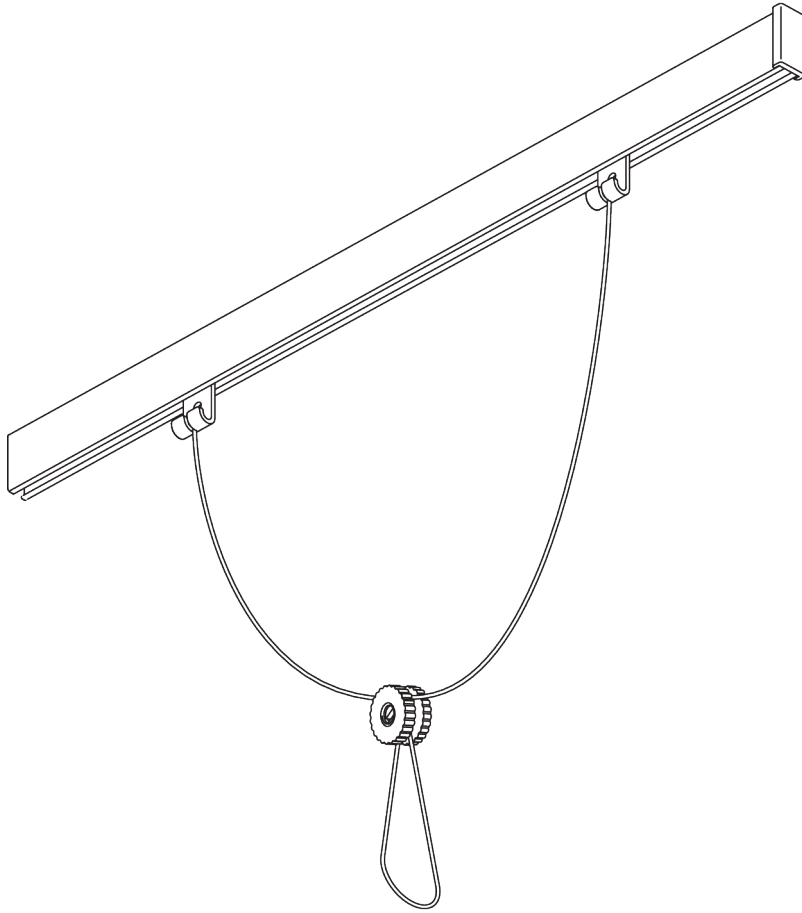
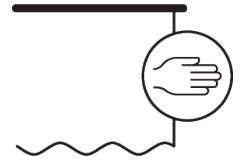


SG 11213
Square Smart Fix 120 mm



SG 11214
Square Smart Fix 150 mm

SG 3600



PRODUCT INFORMATION

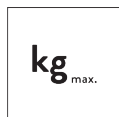
- **Operation:** hand
- **Fitting:** wall
- **Colours:** white RAL 9016; special colours or anodised aluminum possible

Features:

- Picture hanging system
- Adjustable height

SYSTEM SPECIFICATIONS

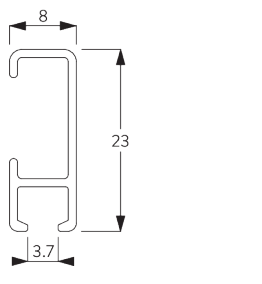
A. SYSTEM DIMENSIONS



10 kg
(Total picture weight)

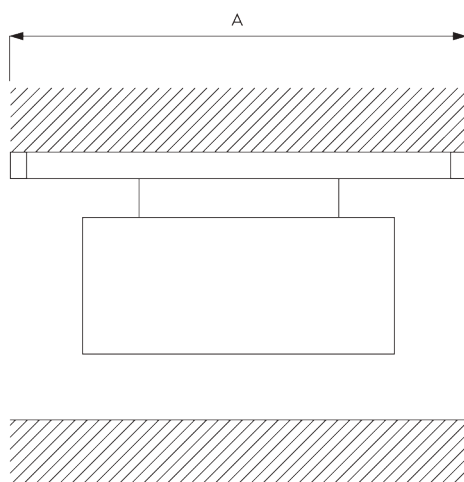
B. PROFILE

Profile and bending
information



SG 1080p
Profile

C. HOW TO MEASURE



A: System width

D. SPECIFICATION TEXT

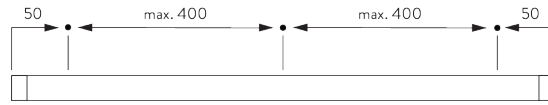
Silent Gliss SG 3600 Picture Hanging System. Comprises aluminium profile SG 1080 supplied made to measure in silver anodised or powder coated white / matt white / anodic grey / antique bronze / charcoal with hanging set SG 3665. Specially developed for the quick and precise hanging or moving of pictures. Maximum weight 10 kg per picture. Silent Gliss SG 3600 Picture Hanging System.

FITTING

A. FITTING INFORMATION

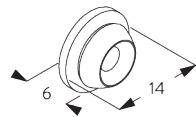
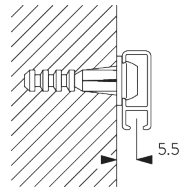
For detailed fitting information, visit the Silent Gliss website.

Fixing Points



B. WALL FITTING

Bracket SG 3606

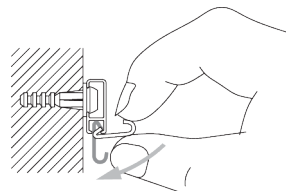


SG 3606

Clip

C. HANGING UP OF PICTURE

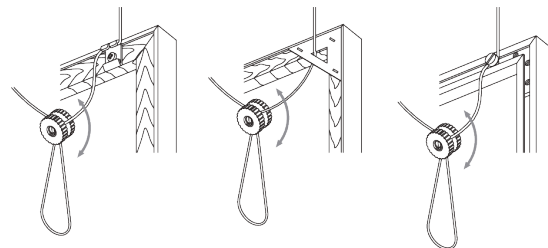
Set SG 3665



Click-in hooks SG 3606.

Parts:

- SG 3634 Height adjuster
- SG 3637 Cord \varnothing 1.5 mm
- SG 3663 Hook



Picture height is adjusted by turning plastic screw.

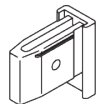
PARTS

A. STANDARD PARTS



SG 1080p

Profile



SG 3605

End cover



SG 3606

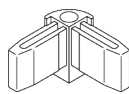
Clip



SG 3665

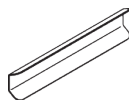
Picture hanging set

B. OPTIONAL PARTS



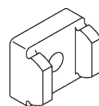
SG 3604

Corner connector



SG 3657

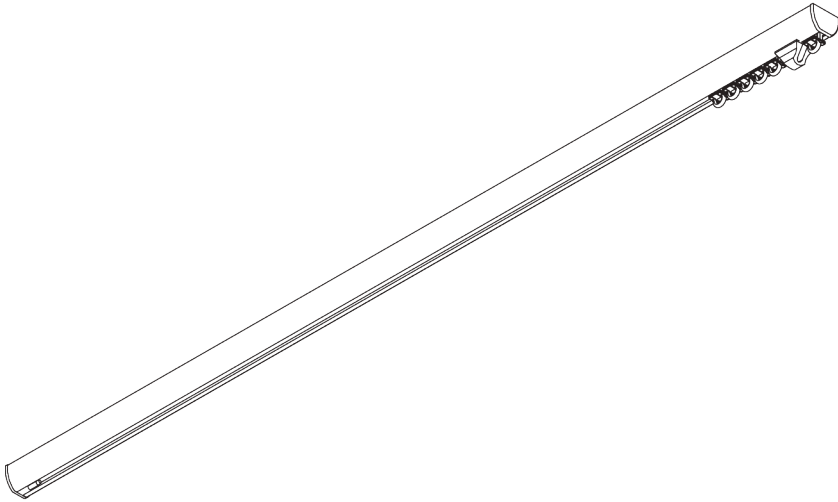
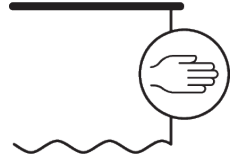
Connection bridge



SG 3666

Clip

SG 6010



PRODUCT INFORMATION

- **Operation:** hand
- **Range:** S - M
- **Fitting:** ceiling, wall
- **Colours:** white RAL 9016, black RAL 9005 or anodised aluminum, special colours possible
- **Fabrics:** refer to Silent Gliss fabric collection

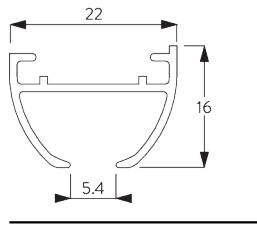
Features:

- 2-component (2C) glider technology
- Wave (2C)
- Bendable

SYSTEM SPECIFICATIONS

A. PROFILE

Profile and bending information

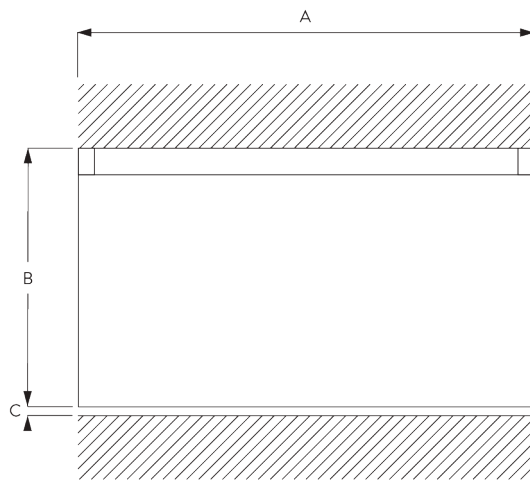


SG 6010p

Profile

Radius:
✓ 15 cm, >25 cm

B. HOW TO MEASURE



A: System width

B: System height

C: Distance between floor and fabric

C. SPECIFICATION

TEXT

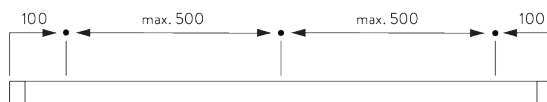
Silent Gliss SG 6010 Hand Operated Curtain Track System. Comprises aluminium profile SG 6010 supplied made to measure powder coated in white / black. Supplied as standard with 2C gliders SG 11300 at 14/m, 2 end covers SG 6018 and 2 end stops SG 6065. Top fixed with clamp SG 3825 at 500mm centres. Wall fix with SG Smart Fix brackets SG 11201-11205 and SG 3832 or SG 3825 / SG Square Smart Fix brackets SG 11210-11215 and SG 3832 or SG 3825 / Universal Smart Fix brackets SG 11154-11156 and SG 3832 or SG 3825. Silent Gliss Wave option is available using 60mm glider cord SG 11303 / 80mm glider cord SG 11302.

FITTING

A. FITTING INFORMATION

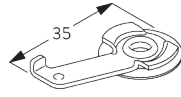
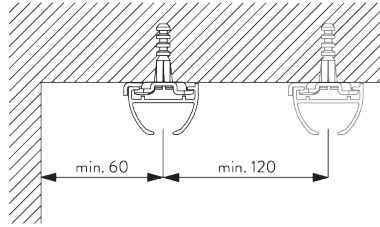
Fixing points

For detailed fitting information, visit the [Silent Gliss website](#).



B. CEILING FITTING

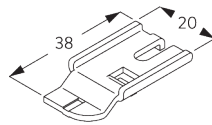
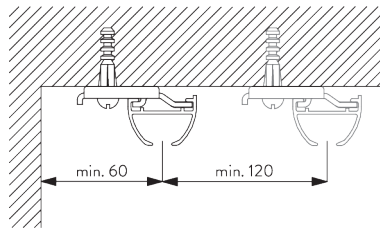
Clamp SG 3825



SG 3825

Clamp

Bracket SG 3832

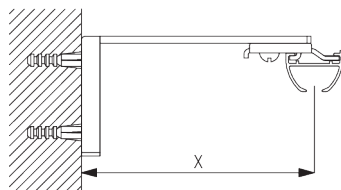


SG 3832

Bracket

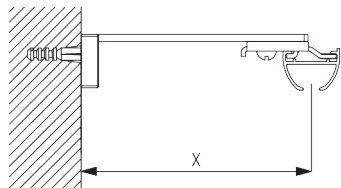
C. WALL FITTING

Smart Fix



Smart Fix SG 11200 - SG 11205 and bracket SG 3832:

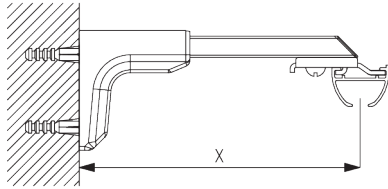
Screw SG 10492 (M4x8) needed.



Square Smart Fix SG 11210 - SG 11215 and bracket SG 3832:

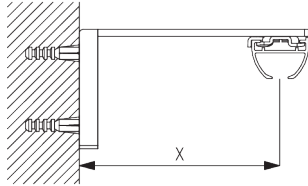
Screw SG 10492 (M4x8) needed.

Smart Fix	X mm (SG 3832)	X mm (SG 3825)
SG 11200 / SG 11210	70	52
SG 11201 / SG 11211	90	72
SG 11202 / SG 11212	110	92
SG 11203 / SG 11213	130	112
SG 11204 / SG 11214	160	142
SG 11205 / SG 11215	210	192
SG 11154	120-148	102-130
SG 11155	150-178	132-160
SG 11156	200-228	182-210



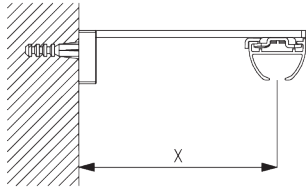
Universal Smart Fix SG 11154 - SG 11156 and bracket SG 3832:

Screw SG 10407 (M4x10) needed.



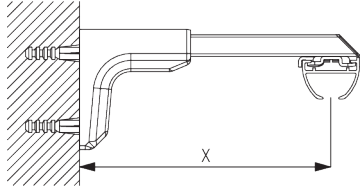
Smart Fix SG 11200 - SG 11205 and clamp SG 3825:

Screw SG 10074 (M4x8) needed.



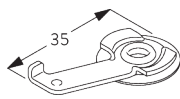
Square Smart Fix SG 11210 - SG 11215 and clamp SG 3825:

Screw SG 10074 (M4x8) needed.



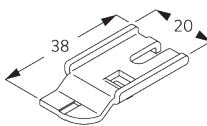
Universal Smart Fix SG 11154 - SG 11156 and clamp SG 3825:

Screw SG 11158 (M4x12) needed.



SG 3825

Clamp



SG 3832

Bracket



SG 10407

Pan head screw M4x10



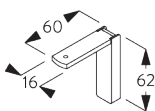
SG 10492

Pan head screw M4x8



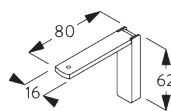
SG 11158

Countersunk head screw
M4x12



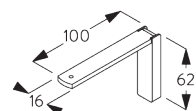
SG 11200

Smart Fix 60 mm



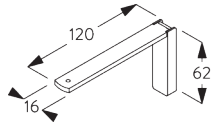
SG 11201

Smart Fix 80 mm

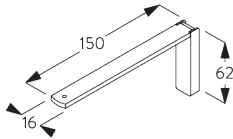


SG 11202

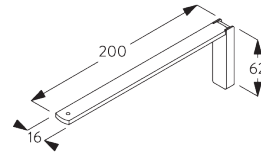
Smart Fix 100 mm



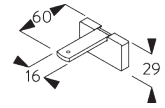
SG 11203
Smart Fix 120 mm



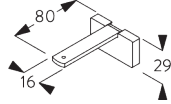
SG 11204
Smart Fix 150 mm



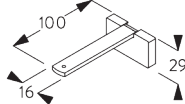
SG 11205
Smart Fix 200 mm



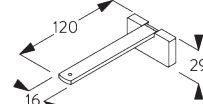
SG 11210
Square Smart Fix 60 mm



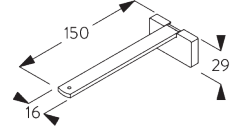
SG 11211
Square Smart Fix 80 mm



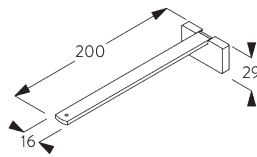
SG 11212
Square Smart Fix 100 mm



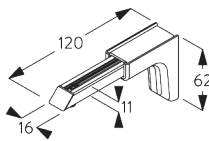
SG 11213
Square Smart Fix 120 mm



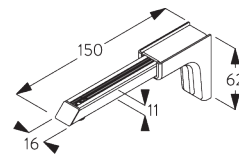
SG 11214
Square Smart Fix 150 mm



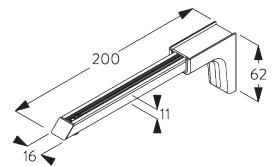
SG 11215
Square Smart Fix 200 mm



SG 11154
Universal Smart Fix 120 mm



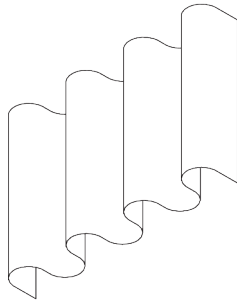
SG 11155
Universal Smart Fix 150 mm



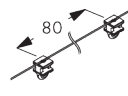
SG 11156
Universal Smart Fix 200 mm

SYSTEM OPTIONS

A. WAVE



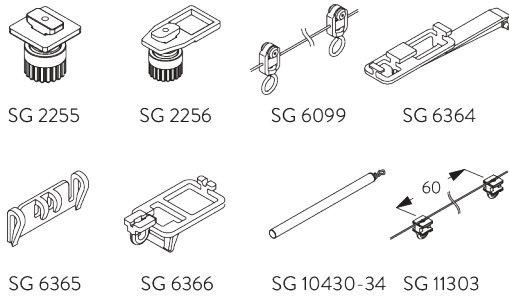
SG 11295



SG 11302

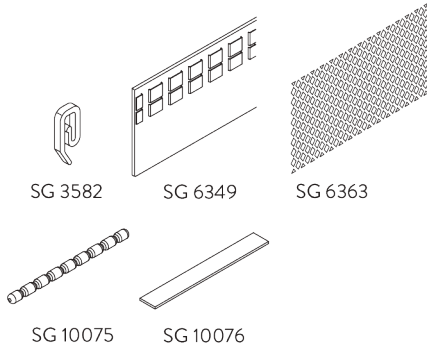
Standard components:

- SG 11295 End stop
- SG 11302 Wave 2C glider cord 80 mm



Optional components (min. radius: >25 cm):

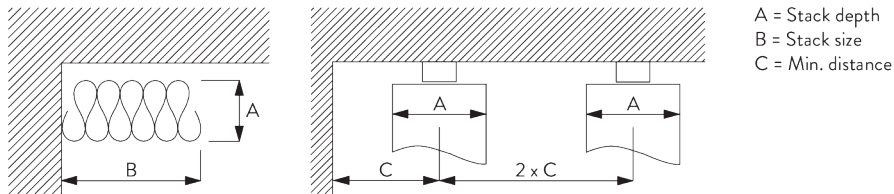
- SG 2255 Brake
- SG 2256 Brake
- SG 6099 Wave roller cord 80 mm
- SG 6364 Wave extension
- SG 6365 Wave hanger
- SG 6366 Wave carrier for draw rod
- SG 10430-34 Draw rod
- SG 11303 Wave 2C glider cord 60 mm



Curtain components:

- SG 3582 Hook
- SG 6349 Wave curtain tape
- SG 6363 Wave top hemming tape
- SG 10075 Lead weight 50 gr/m
- SG 10076 Fabric weight

Wave stack depth - 2C glider cord (standard components)



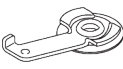
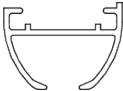
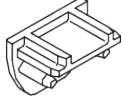

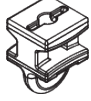
2C Glider cord SG 11302	Pockets between hooks	Approx. curtain fullness	Stack depth A	Stack size B*	Min distance C
80	6	~2.1	140	180 per metre of track	90
80	7	~2.3	160	180 per metre of track	100

2C Glider cord SG 11303	Pockets between hooks	Approx. curtain fullness	Stack depth A	Stack size B*	Min distance C
60	4	~2.1	100	230 per metre of track	70
60	5	~2.3	120	230 per metre of track	80

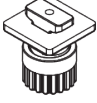
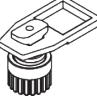

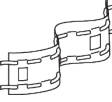
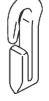


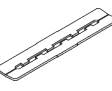
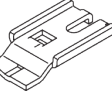




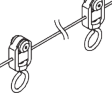
*Stack size B when using optional extension arm SG 6364 increases by 95 mm per curtain stack!



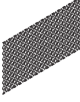
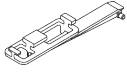
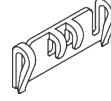
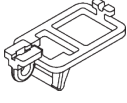

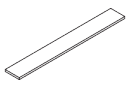
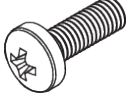
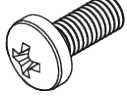
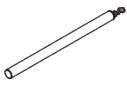
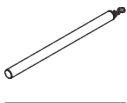
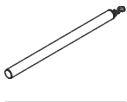
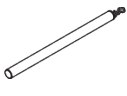
PARTS

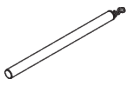
A. STANDARD PARTS

	SG 3825 Clamp
	SG 6010p Profile
	SG 6018 End cover
	SG 6065 End stop
	SG 11300 2C glider

B. OPTIONAL PARTS

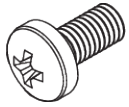
	SG 2255 Brake
	SG 2256 Brake
	SG 3020 Hook
	SG 3562 Heading tape
	SG 3571 Hook
	SG 3582 Hook
	SG 3599 Hook
	SG 3802 Connection bridge
	SG 3832 Bracket
	SG 6053 Spring stop
	SG 6064 End stop
	SG 6086 Spring stop
	SG 6098 Roller
	SG 6099 Wave roller cord 80 mm

	SG 6283 Roller
	SG 6349 Wave curtain tape
	SG 6363 Wave top hemming tape
	SG 6364 Wave extension
	SG 6365 Wave hanger
	SG 6366 Wave carrier for draw rod
	SG 10075 Lead weight 50 g/m
	SG 10076 Fabric weight
	SG 10277 Pan head screw M4x12
	SG 10407 Pan head screw M4x10
	SG 10430 Draw rod 50 cm
	SG 10431 Draw rod 75 cm
	SG 10432 Draw rod 100 cm
	SG 10433 Draw rod 125 cm



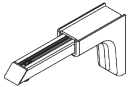
SG 10434

Draw rod 150 cm



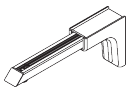
SG 10492

Pan head screw M4x8



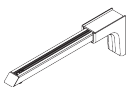
SG 11154

Universal Smart Fix 120 mm



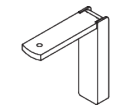
SG 11155

Universal Smart Fix 150 mm



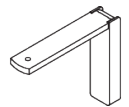
SG 11156

Universal Smart Fix 200 mm



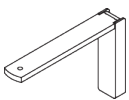
SG 11200

Smart Fix 60 mm



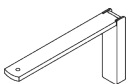
SG 11201

Smart Fix 80 mm



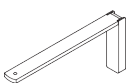
SG 11202

Smart Fix 100 mm



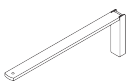
SG 11203

Smart Fix 120 mm



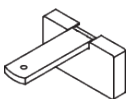
SG 11204

Smart Fix 150 mm



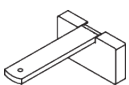
SG 11205

Smart Fix 200 mm



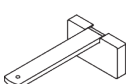
SG 11210

Square Smart Fix 60 mm



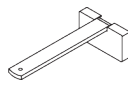
SG 11211

Square Smart Fix 80 mm



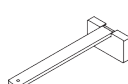
SG 11212

Square Smart Fix 100 mm



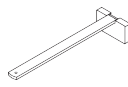
SG 11213

Square Smart Fix 120 mm



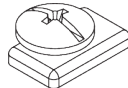
SG 11214

Square Smart Fix 150 mm



SG 11215

Square Smart Fix 200 mm



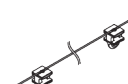
SG 11295

End stop



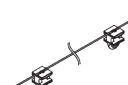
SG 11301

2C glider on strip



SG 11302

Wave 2C glider cord 80 mm

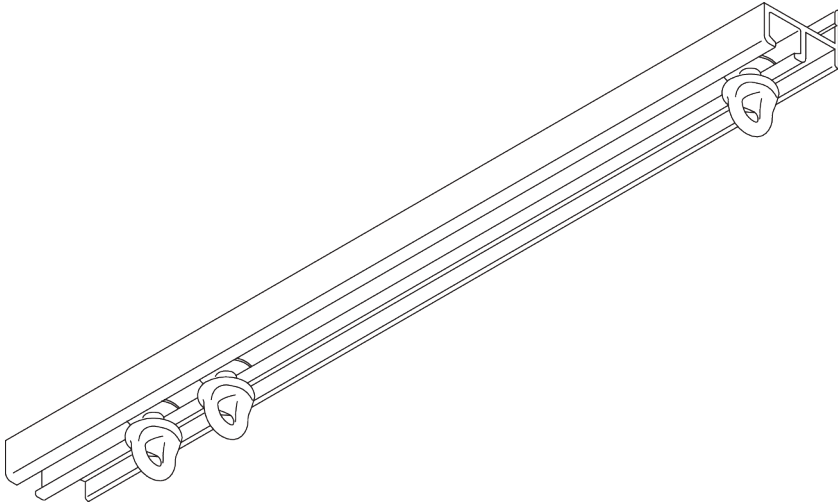
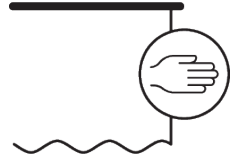


SG 11303

Wave 2C glider cord 60 mm

SG 6021

SAFETY TRACK



PRODUCT INFORMATION

- **Operation:** hand
- **Range:** S - M
- **Fitting:** wall
- **Colours:** white RAL 9016; special colours or anodised aluminum possible
- **Fabrics:** refer to Silent Gliss fabric collection

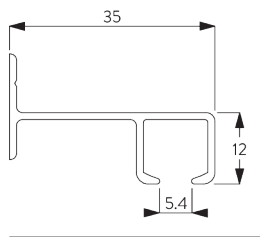
Features:

- Suitable for schools, hospitals, retirement homes, etc.
- Yellow gliders release from profile when weight limit is exceeded (4 - 6 kg)
- Blue glider releases at higher weight limit (8 - 10 kg) due to higher pulling force at curtain leading edges

SYSTEM SPECIFICATIONS

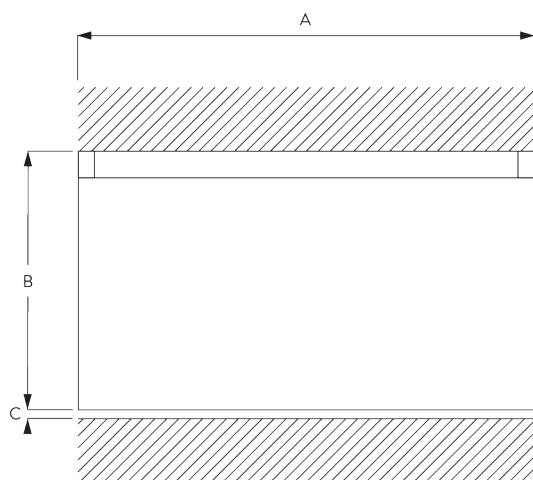
A. PROFILE

Profile information



SG 6021p
Profile

B. HOW TO MEASURE



A: System width
B: System height
C: Distance between floor and fabric

C. SPECIFICATION TEXT

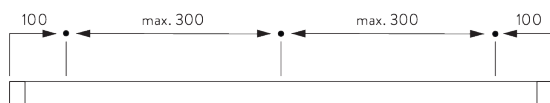
Silent Gliss SG 6021 Hand Operated Curtain Track. Comprises aluminium profile SG6021 supplied made to measure powder coated white with safety gliders SG 6148 (10/m) and SG 6149 (2/length) secured with end stops SG 6122 at either end. Wall fixed with self-drilling wood screws.

FITTING

A. FITTING INFORMATION

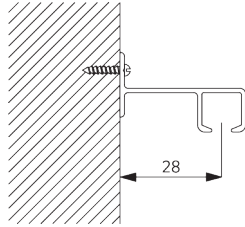
Fixing points

For detailed fitting information, visit the [Silent Gliss website](#).



B. WALL FITTING

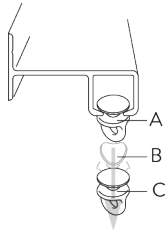
Direct fitting



SYSTEM SAFETY KEY PARTS

A. SAFETY RELEASE

FUNCTION



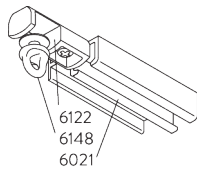
A: Gliders can easily be clicked into profile

B: Glider deforms under pressure

C: Release under following pull weights:

Glider SG 6148 yellow: releases between 4 - 6 kg

Glider SG 6149 blue: releases between 8 - 10 kg



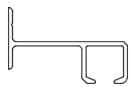
SG 6122: Endstop (with end glider SG 6148 in place)

SG 6021 / SG 6290 system can assist in the prevention of self harm in hospitals, schools and psychiatric situations. Please see specific pull out weights on individual gliders. Please also note that the longer the individual track and the more gliders used, the cumulative total pull-out weight when in a stacked position will increase and therefore support more weight.

A risk assessment of the area should always be carried out.

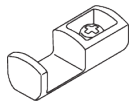
PARTS

A. STANDARD PARTS



SG 6021p

Profile



SG 6122

End stop



SG 6148

Safety Glider - yellow



SG 6149

Safety glider - blue

B. OPTIONAL PARTS



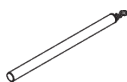
SG 3582

Hook



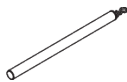
SG 3599

Hook



SG 10430

Draw rod 50 cm



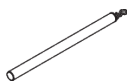
SG 10431

Draw rod 75 cm



SG 10432

Draw rod 100 cm



SG 10433

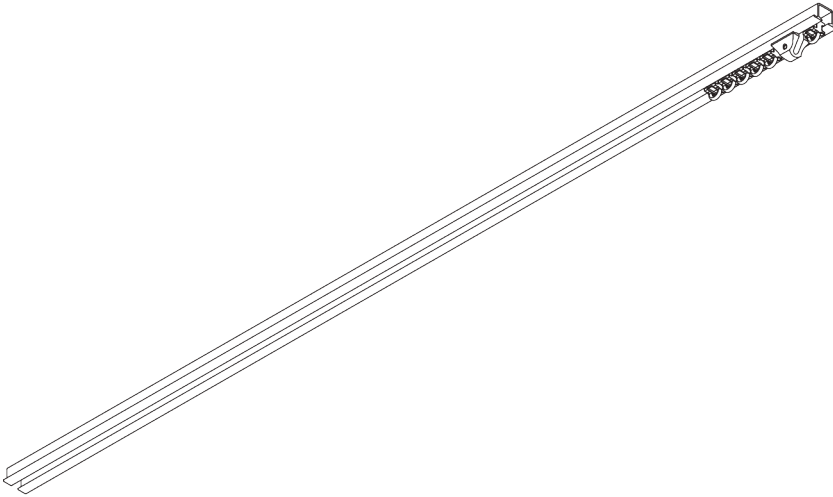
Draw rod 125 cm



SG 10434

Draw rod 150 cm

SG 6243



PRODUCT INFORMATION

- **Operation:** hand
- **Range:** S - M
- **Fitting:** recess
- **Colours:** white RAL 9016; special colours or anodised aluminum possible
- **Fabrics:** refer to Silent Gliss fabric collection

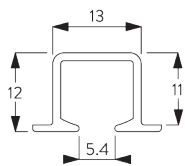
Features:

- 2-component (2C) glider technology
- Wave (2C)
- Bendable
- Pre-drilled profile

SYSTEM SPECIFICATIONS

A. PROFILE

Profile and bending information

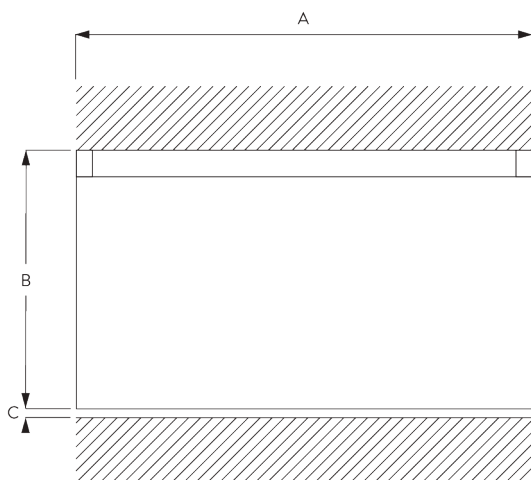


SG 6243p

Profile

Radius:
20 cm, >25 cm

B. HOW TO MEASURE



A: System width
B: System height
C: Distance between floor and fabric

C. SPECIFICATION TEXT

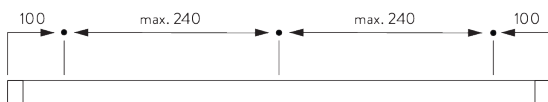
Silent Gliss SG 6243 Hand Operated Curtain Track System. Comprises aluminium profile SG 6243 supplied made to measure powder coated white with gliders SG 11300 at 14/m, 1 end stop SG 6065 and 1 spring stop SG 6053 per length. Top fixed with screw SG 0240 into timber through pre drilled holes every 200mm.

FITTING

A. FITTING INFORMATION

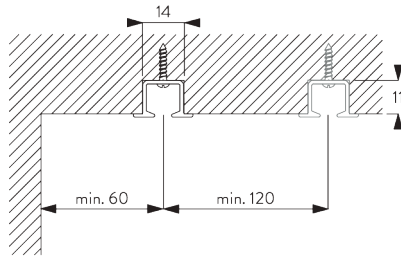
Fixing points

For detailed fitting information, visit the Silent Gliss website.



B. RECESS FITTING

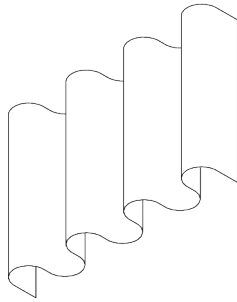
Direct into wood



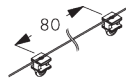
Recess channel: 11 x 14 mm

SYSTEM OPTIONS

A. WAVE



SG 11295



SG 11302

Standard components:

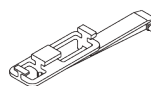
- SG 11295 End stop
- SG 11302 Wave 2C glider cord 80 mm



SG 2255



SG 2256



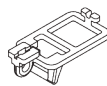
SG 6364



SG 6365

Optional components (min. radius >25 cm):

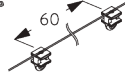
- SG 2255 Brake
- SG 2256 Brake
- SG 6364 Wave extension
- SG 6365 Wave hanger
- SG 6366 Wave carrier for draw rod
- SG 10430-34 Draw rod
- SG 11303 Wave 2C glider cord 60 mm



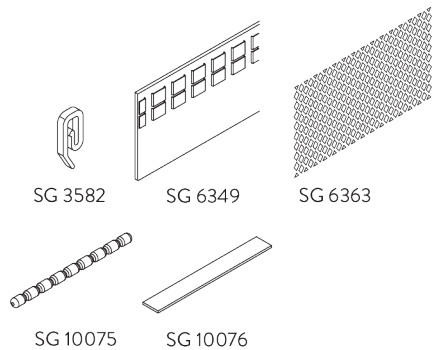
SG 6366



SG 10430-34



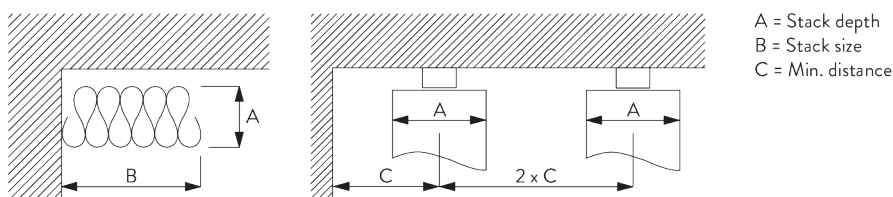
SG 11303



Curtain components:

- SG 3582 Hook
- SG 6349 Wave curtain tape
- SG 6363 Wave top hemming tape
- SG 10075 Lead weight 50 gr/m
- SG 10076 Fabric weight

Wave stack depth - 2C glider cord (standard components)



A = Stack depth
 B = Stack size
 C = Min. distance




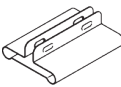

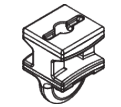
2C Glider cord SG 11302	Pockets between hooks	Approx. curtain fullness	Stack depth A	Stack size B*	Min distance C
80	6	~2.1	140	180 per metre of track	90
80	7	~2.3	160	180 per metre of track	100

2C Glider cord SG 11303	Pockets between hooks	Approx. curtain fullness	Stack depth A	Stack size B*	Min distance C
60	4	~2.1	100	230 per metre of track	70
60	5	~2.3	120	230 per metre of track	80

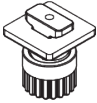
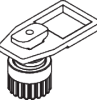
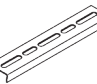










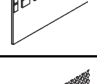
*Stack size B when using optional extension arm SG 6364 increases by 95 mm per curtain!

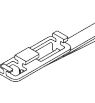
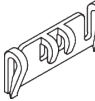
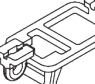

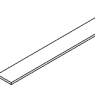
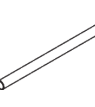
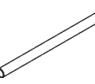






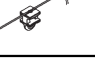
PARTS

A. STANDARD PARTS

	SG 6053 Spring stop
	SG 6065 End stop
	SG 6243p Profile
	SG 7002 Profile protector
	SG 10717 Countersunk head screw 2.2x19
	SG 11300 2C glider

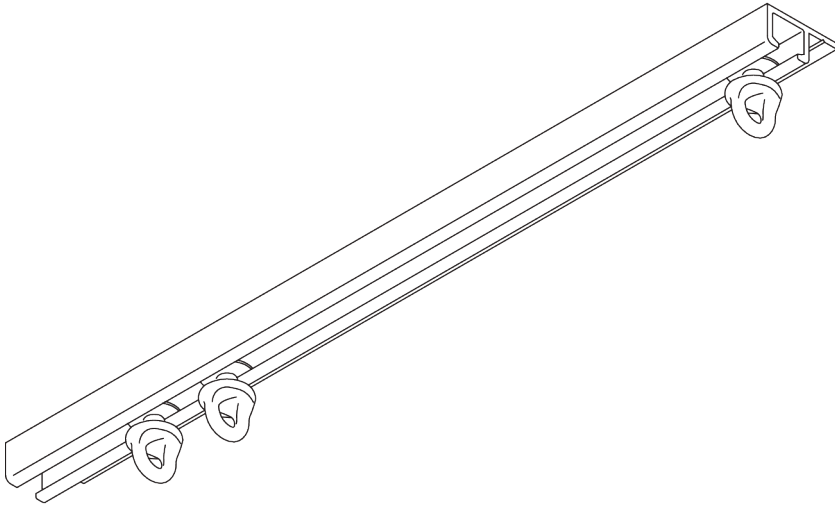
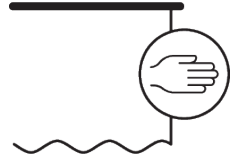
B. OPTIONAL PARTS

	SG 2255 Brake
	SG 2256 Brake
	SG 3067 Connection bridge
	SG 3562 Heading tape
	SG 3571 Hook
	SG 3582 Hook
	SG 3599 Hook
	SG 6064 End stop
	SG 6094 Roller
	SG 6098 Roller
	SG 6099 Wave roller cord 80 mm
	SG 6283 Roller
	SG 6349 Wave curtain tape
	SG 6363 Wave top hemming tape

	SG 6364 Wave extension
	SG 6365 Wave hanger
	SG 6366 Wave carrier for draw rod
	SG 10075 Lead weight 50 g/m
	SG 10076 Fabric weight
	SG 10430 Draw rod 50 cm
	SG 10431 Draw rod 75 cm
	SG 10432 Draw rod 100 cm
	SG 10433 Draw rod 125 cm
	SG 10434 Draw rod 150 cm
	SG 11295 End stop
	SG 11301 2C glider on strip
	SG 11302 Wave 2C glider cord 80 mm
	SG 11303 Wave 2C glider cord 60 mm

SG 6290

SAFETY TRACK



PRODUCT INFORMATION

- **Operation:** hand
- **Range:** S - M
- **Fitting:** ceiling
- **Colours:** white RAL 9016; special colours or anodised aluminum possible
- **Fabrics:** refer to Silent Gliss fabric collection

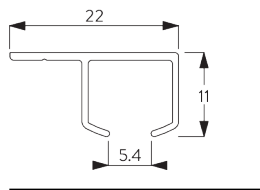
Features:

- Suitable for schools, hospitals, retirement homes, etc.
- Yellow gliders release from profile when weight limit is exceeded (4 - 6 kg)
- Blue glider releases at higher weight limit (8 - 10 kg) due to higher pulling force at curtain leading edges

SYSTEM SPECIFICATIONS

A. PROFILE

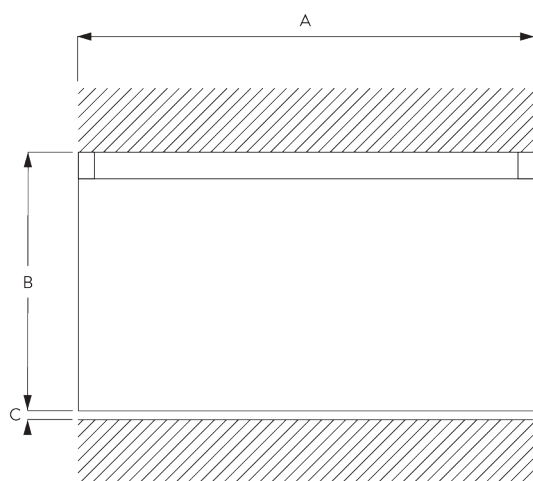
Profile information



SG 6290p

Profile

B. HOW TO MEASURE



A: System width

B: System height

C: Distance between floor and fabric

C. SPECIFICATION TEXT

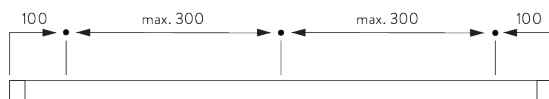
Silent Gliss SG 6290 Hand Operated Curtain Track. Comprises aluminium SG 6290 profile supplied made to measure powder coated white with safety gliders SG 6148 (10/m) and SG 6149 (2/length) secured with end covers SG 6122 at either end. Ceiling fixed with self-drilling wood screws.

FITTING

A. FITTING INFORMATION

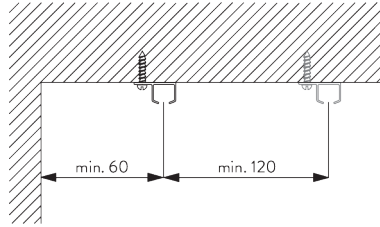
Fixing points

For detailed fitting information, visit the [Silent Gliss website](#).



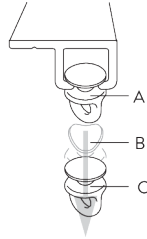
B. CEILING FITTING

Direct fitting



SYSTEM SAFETY KEY PARTS

A. SAFETY RELEASE FUNCTION



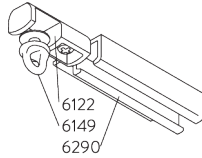
A: Gliders can easily be clicked into profile

B: Glider deforms under pressure

C: Release under following pull weights:

Glider SG 6148 yellow: releases between 4 - 6 kg

Glider SG 6149 blue: releases between 8 - 10 kg



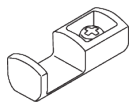
SG 6122: Endstop (with end glider SG 6148 in place)

SG 6021 / SG 6290 system can assist in the prevention of self harm in hospitals, schools and psychiatric situations. Please see specific pull out weights on individual gliders. Please also note that the longer the individual track and the more gliders used, the cumulative total pull-out weight when in a stacked position will increase and therefore support more weight.

A risk assessment of the area should always be carried out.

PARTS

A. STANDARD PARTS



SG 6122

End stop



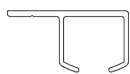
SG 6148

Safety Glider - yellow



SG 6149

Safety glider - blue



SG 6290p

Profile

B. OPTIONAL PARTS



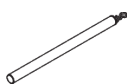
SG 3582

Hook



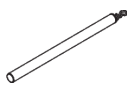
SG 3599

Hook



SG 10430

Draw rod 50 cm



SG 10431

Draw rod 75 cm



SG 10432

Draw rod 100 cm



SG 10433

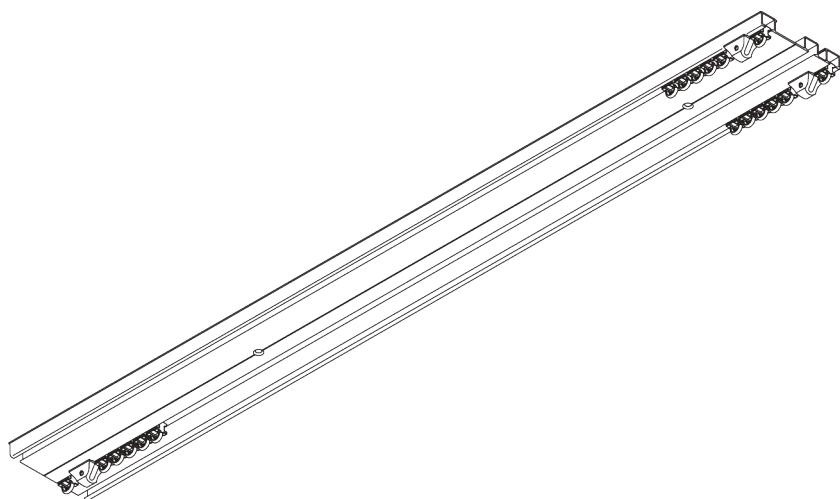
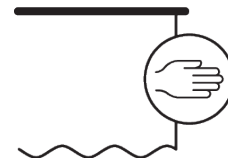
Draw rod 125 cm



SG 10434

Draw rod 150 cm

SG 6293



PRODUCT INFORMATION

- **Operation:** hand
- **Range:** M - L
- **Fitting:** ceiling
- **Colours:** white RAL 9016; special colours or anodised aluminum possible
- **Fabrics:** refer to Silent Gliss fabric collection

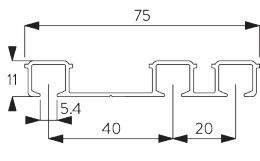
Features:

- 2-component (2C) glider technology
- Pre-drilled profile

SYSTEM SPECIFICATIONS

A. PROFILE

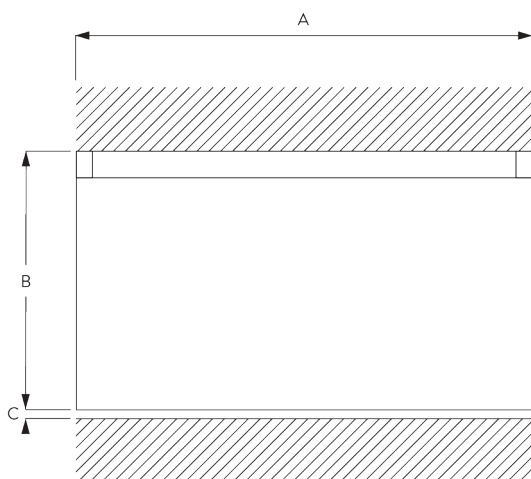
Profile information



SG 6293p

Profile

B. HOW TO MEASURE



A: System width

B: System height

C: Distance between floor and fabric

C. SPECIFICATION

TEXT

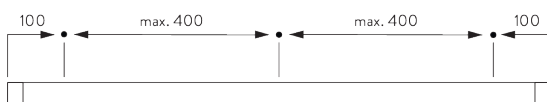
Silent Gliss SG 6293 Hand Operated Curtain Track System. Comprises aluminium profile SG 6293p supplied made to measure powder coated white, 2C gliders 11300 at 14/m and 2 end stops SG 6065 per length. Top fixed direct through track profile.

FITTING

A. FITTING INFORMATION

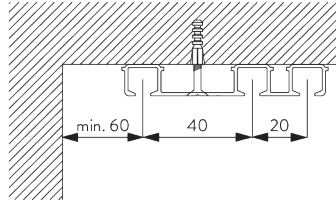
Fixing points

For detailed fitting information, visit the [Silent Gliss website](#).



B. CEILING FITTING

Direct fitting



PARTS

A. STANDARD PARTS



SG 6065

End stop



SG 6283

Roller



SG 6293p

Profile



SG 11300

2C glider

B. OPTIONAL PARTS



SG 3582

Hook



SG 3599

Hook



SG 6053

Spring stop



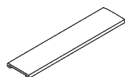
SG 6094

Roller



SG 6098

Roller



SG 6269

Connection bridge



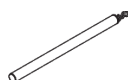
SG 6283

Roller



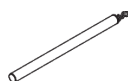
SG 10430

Draw rod 50 cm



SG 10431

Draw rod 75 cm



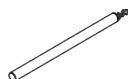
SG 10432

Draw rod 100 cm



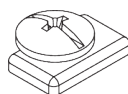
SG 10433

Draw rod 125 cm



SG 10434

Draw rod 150 cm



SG 11295

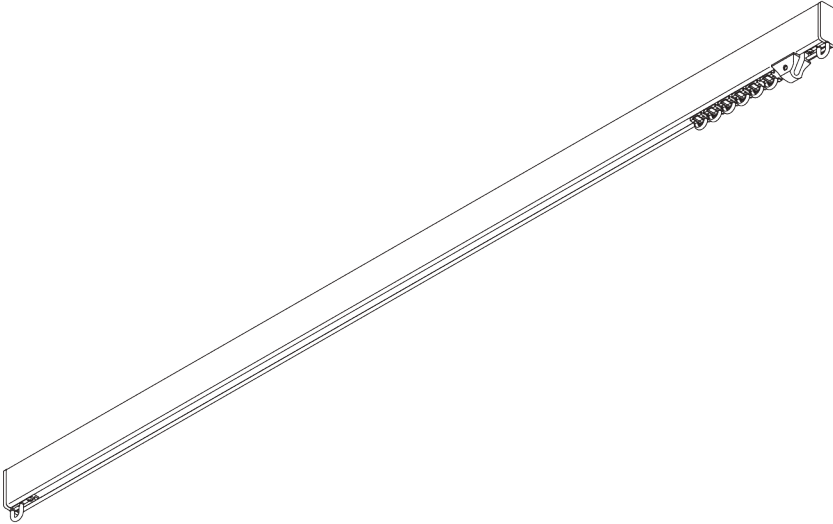
End stop



SG 11301

2C glider on strip

SG 6380



PRODUCT INFORMATION

- **Operation:** hand
- **Range:** M - L
- **Fitting:** ceiling, wall
- **Colours:** white RAL 9016; special colours or anodised aluminum possible
- **Fabrics:** refer to Silent Gliss fabric collection

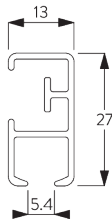
Features:

- 2-component (2C) glider technology
- Wave (2C)
- Bendable

SYSTEM SPECIFICATIONS


A. PROFILE

Profile and bending information

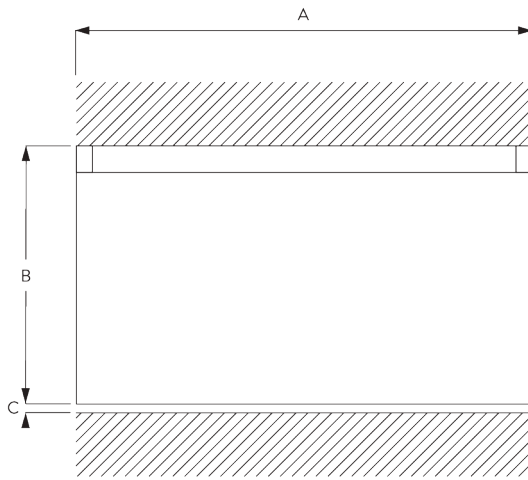


SG 6380p

Profile

 Radius:
10 cm, >25 cm

B. HOW TO MEASURE



A: System width
B: System height
C: Distance between floor and fabric

C. SPECIFICATION TEXT

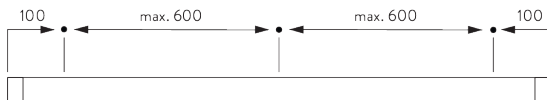
Silent Gliss SG 6380 Hand Operated Curtain Track System. Comprises aluminium profile SG 6380 supplied made to measure powder coated in white with 2C gliders SG 11300 at 14/m, 2 end covers SG 6381 and 2 end stops SG 6065 per length. Top fix with nylon bracket 3603. Wall fixed with brackets SG 3630 / SG 3655 / SG 3660 / SG Smart Fix brackets SG 11201-11205 / SG Square Smart Fix brackets SG 11210-11215 / SG Universal Smart Fix brackets SG 11154-11156. Silent Gliss Wave option is available using 60mm glider cord SG 11303 / 80mm glider cord SG 11302.

FITTING

A. FITTING INFORMATION

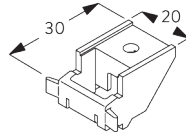
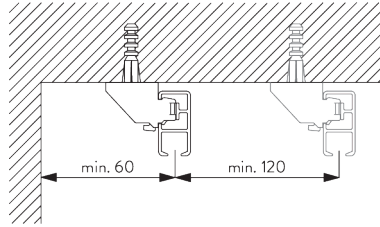
Fixing points

For detailed fitting information, visit the Silent Gliss website.



B. CEILING FITTING

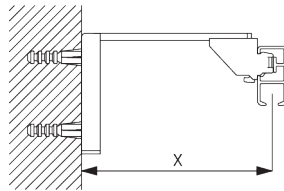
Bracket SG 3603



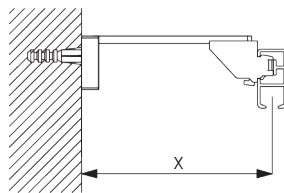
SG 3603
Bracket

C. WALL FITTING

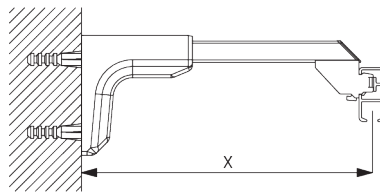
Smart Fix



Smart Fix SG 11200 - SG 11205 and bracket SG 3603:
Screw SG 10492 (M4x8) needed.

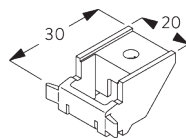


Square Smart Fix SG 11210 - SG 11215 and bracket SG 3603:
Screw SG 10492 (M4x8) needed.



Universal Smart Fix SG 11154 - SG 11156 and bracket SG 3603:
Screw SG 10277 (M4x12) needed.

Smart Fix	X mm
SG 11200 / SG 11210	72
SG 11201 / SG 11211	92
SG 11202 / SG 11212	112
SG 11203 / SG 11213	132
SG 11204 / SG 11214	162
SG 11205 / SG 11215	212
SG 11154	122-150
SG 11155	152-180
SG 11156	202-230



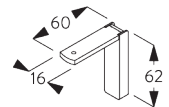
SG 3603
Bracket



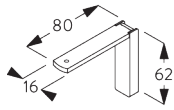
SG 10277
Pan head screw M4x12



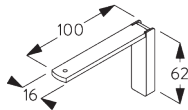
SG 10492
Pan head screw M4x8



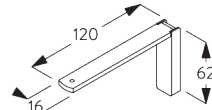
SG 11200
Smart Fix 60 mm



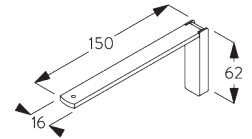
SG 11201
Smart Fix 80 mm



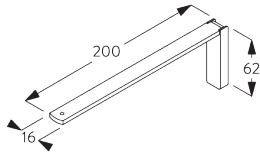
SG 11202
Smart Fix 100 mm



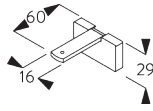
SG 11203
Smart Fix 120 mm



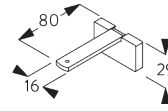
SG 11204
Smart Fix 150 mm



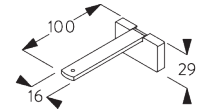
SG 11205
Smart Fix 200 mm



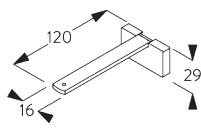
SG 11210
Square Smart Fix 60 mm



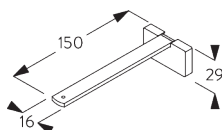
SG 11211
Square Smart Fix 80 mm



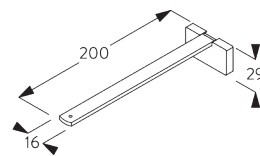
SG 11212
Square Smart Fix 100 mm



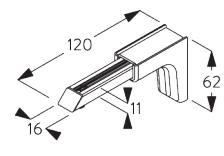
SG 11213
Square Smart Fix 120 mm



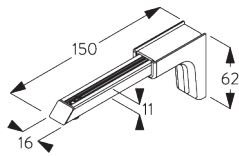
SG 11214
Square Smart Fix 150 mm



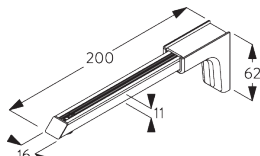
SG 11215
Square Smart Fix 200 mm



SG 11154
Universal Smart Fix 120 mm

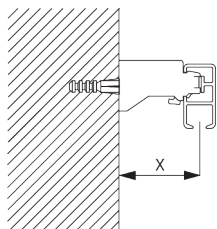


SG 11155
Universal Smart Fix 150 mm

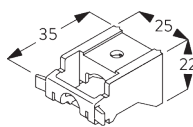


SG 11156
Universal Smart Fix 200 mm

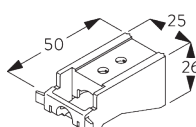
**Universal Brackets
SG 3630, SG 3655,
SG 3660**



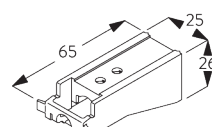
Bracket	X mm
SG 3630	35
SG 3655	50
SG 3660	65



SG 3630
Bracket 35 mm



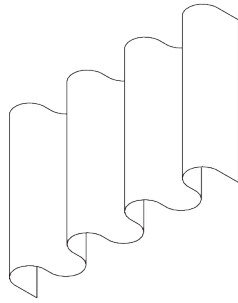
SG 3655
Bracket 50 mm



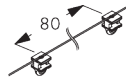
SG 3660
Bracket 65 mm

SYSTEM OPTIONS

A. WAVE



SG 11295



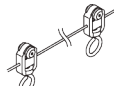
SG 11302



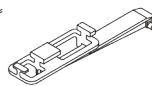
SG 2255



SG 2256



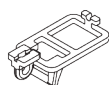
SG 6099



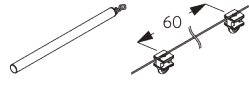
SG 6364



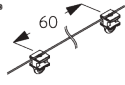
SG 6365



SG 6366



SG 10430-34



SG 11303

Standard components:

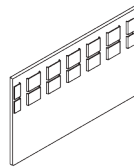
- SG 11295 End stop
- SG 11302 Wave 2C glider cord 80 mm

Optional components (min. radius >25 cm):

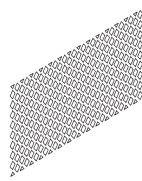
- SG 2255 Brake
- SG 2256 Brake
- SG 6099 Wave roller cord 80 mm
- SG 6364 Wave extension
- SG 6365 Wave hanger
- SG 6366 Wave carrier for draw rod
- SG 10430-34 Draw rod
- SG 11303 Wave 2C glider cord 60 mm



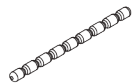
SG 3582



SG 6349



SG 6363



SG 10075

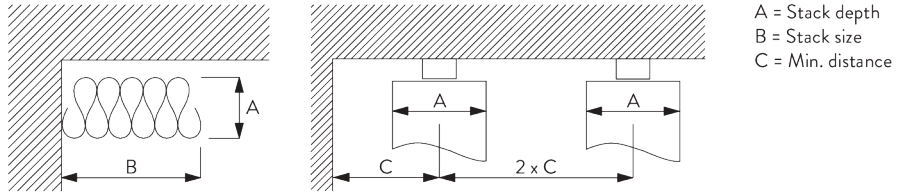


SG 10076

Curtain components:

- SG 3582 Hook
- SG 6349 Wave curtain tape
- SG 6363 Wave top hemming tape
- SG 10075 Lead weight 50 gr/m
- SG 10076 Fabric weight

Wave stack depth - 2C glider cord (standard components)



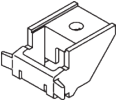

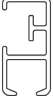
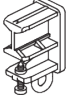

2C Glider cord SG 11302	Pockets between hooks	Approx. curtain fullness	Stack depth A	Stack size B*	Min distance C
80	6	~2.1	140	180 per metre of track	90
80	7	~2.3	160	180 per metre of track	100

2C Glider cord SG 11303	Pockets between hooks	Approx. curtain fullness	Stack depth A	Stack size B*	Min distance C
60	4	~2.1	100	230 per metre of track	70
60	5	~2.3	120	230 per metre of track	80

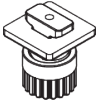
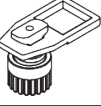


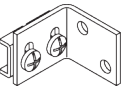
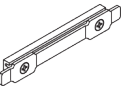
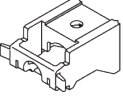
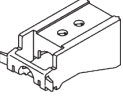
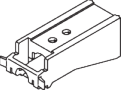




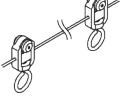
*Stack size B when using optional extension arm SG 6364 increases by 95 mm per curtain stack!




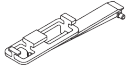
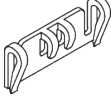
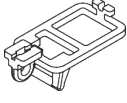

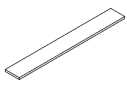
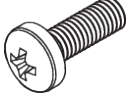
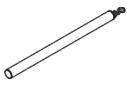
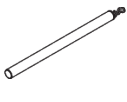
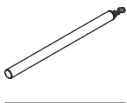
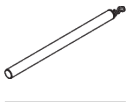
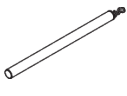
PARTS

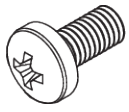
A. STANDARD PARTS

	SG 3603 Bracket
	SG 6065 End stop
	SG 6380p Profile
	SG 6381 End cover
	SG 11300 2C glider

B. OPTIONAL PARTS

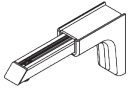
	SG 2255 Brake
	SG 2256 Brake
	SG 3582 Hook
	SG 3599 Hook
	SG 3618 Wall bracket
	SG 3620 Connection bridge
	SG 3630 Bracket 35 mm
	SG 3655 Bracket 50 mm
	SG 3660 Bracket 65 mm
	SG 6053 Spring stop
	SG 6086 Spring stop
	SG 6094 Roller
	SG 6098 Roller
	SG 6099 Wave roller cord 80 mm

	SG 6283 Roller
	SG 6349 Wave curtain tape
	SG 6363 Wave top hemming tape
	SG 6364 Wave extension
	SG 6365 Wave hanger
	SG 6366 Wave carrier for draw rod
	SG 10075 Lead weight 50 g/m
	SG 10076 Fabric weight
	SG 10277 Pan head screw M4x12
	SG 10430 Draw rod 50 cm
	SG 10431 Draw rod 75 cm
	SG 10432 Draw rod 100 cm
	SG 10433 Draw rod 125 cm
	SG 10434 Draw rod 150 cm



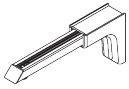
SG 10492

Pan head screw M4x8



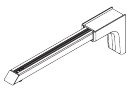
SG 11154

Universal Smart Fix 120 mm



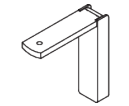
SG 11155

Universal Smart Fix 150 mm



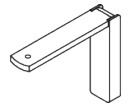
SG 11156

Universal Smart Fix 200 mm



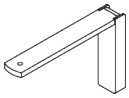
SG 11200

Smart Fix 60 mm



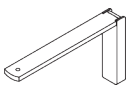
SG 11201

Smart Fix 80 mm



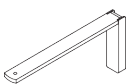
SG 11202

Smart Fix 100 mm



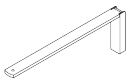
SG 11203

Smart Fix 120 mm



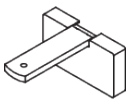
SG 11204

Smart Fix 150 mm



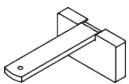
SG 11205

Smart Fix 200 mm



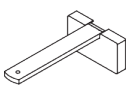
SG 11210

Square Smart Fix 60 mm



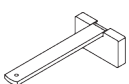
SG 11211

Square Smart Fix 80 mm



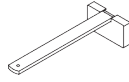
SG 11212

Square Smart Fix 100 mm



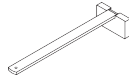
SG 11213

Square Smart Fix 120 mm



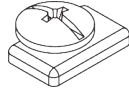
SG 11214

Square Smart Fix 150 mm



SG 11215

Square Smart Fix 200 mm



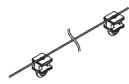
SG 11295

End stop



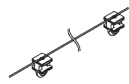
SG 11301

2C glider on strip



SG 11302

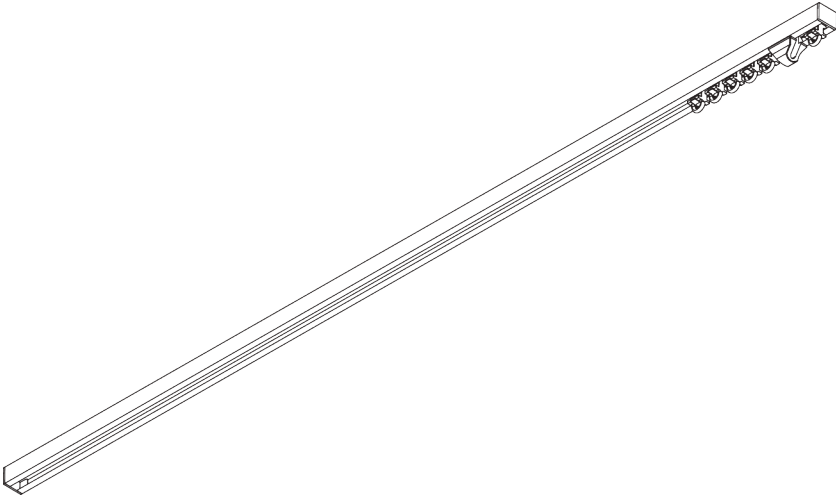
Wave 2C glider cord 80 mm



SG 11303

Wave 2C glider cord 60 mm

SG 6465



PRODUCT INFORMATION

- **Operation:** hand
- **Range:** S - M
- **Fitting:** ceiling, recess
- **Colours:** white RAL 9016, black RAL 9005 or anodised aluminum, special colours possible (recess profile only in white RAL 9016, black RAL 9005 or special color)
- **Fabrics:** refer to Silent Gliss fabric collection

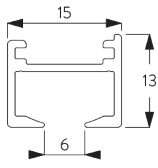
Features:

- 2-component (2C) glider technology
- Wave (2C)
- Bendable
- Bendable recess profile

SYSTEM SPECIFICATIONS


A. PROFILE

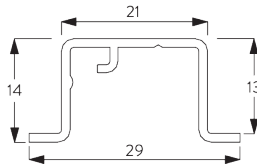
Profile and bending information



SG 6466

Profile

Radius:
 8 cm, 12 cm, 16 cm,
 >25 cm

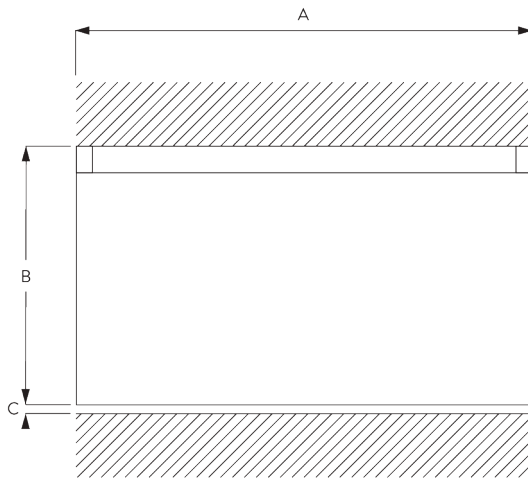


SG 11231

Recess profile

Radius:
 >27 cm

B. HOW TO MEASURE



A: System width
 B: System height
 C: Distance between floor and fabric

C. SPECIFICATION

TEXT

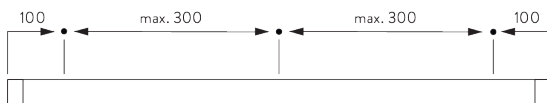
Silent Gliss SG 6465 Hand Operated Curtain Track System. Comprises aluminium profile SG 6466 supplied made to measure powder coated in white / black with 2C gliders SG 11300 at 14/m. Top fix with clamp SG 3060. Recess fix with optional recess profile SG 11231. Silent Gliss Wave option is available using 60mm glider cord SG 11303 / 80mm glider cord SG 11302.

FITTING

A. FITTING INFORMATION

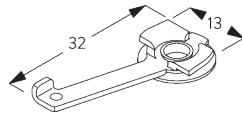
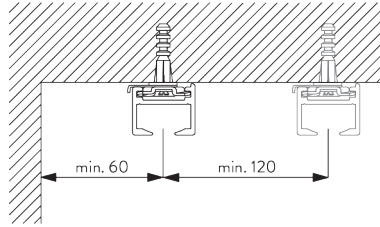
Fixing points

For detailed fitting information, visit the Silent Gliss website.



B. CEILING FITTING

Clamp SG 3060

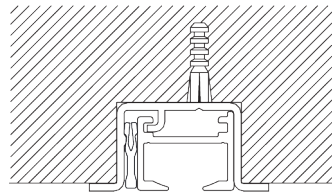


SG 3060

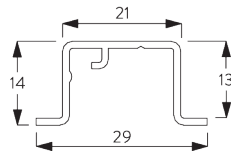
Clamp

C. RECESS FITTING

Recess profile SG 11231

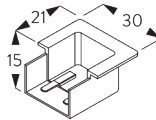


One wedge SG 11237 per fixing point.
For detailed recess fitting, visit the Silent Gliss website.



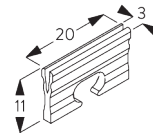
SG 11231

Recess profile



SG 11239

Recess Mask

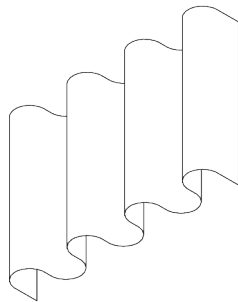


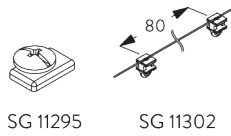
SG 11237

Wedge

SYSTEM OPTIONS

A. WAVE



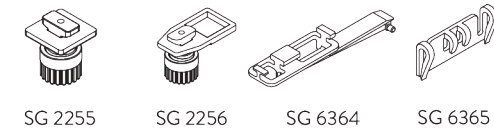


SG 11295

SG 11302

Standard components:

- SG 11295 End stop
- SG 11302 Wave 2C glider cord 80 mm



SG 2255

SG 2256

SG 6364

SG 6365

Optional components (min. radius >25 cm):

- SG 2255 Brake
- SG 2256 Brake
- SG 6364 Wave extension
- SG 6365 Wave hanger
- SG 6366 Wave carrier for draw rod
- SG 10430-34 Draw rod
- SG 11303 Wave 2C glider cord 60 mm



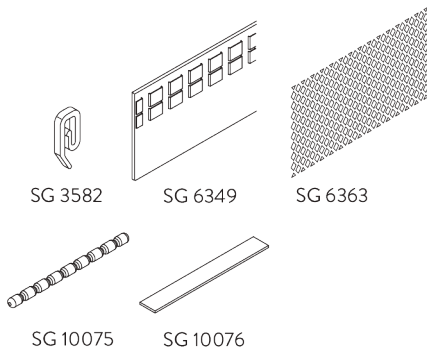
SG 6366

SG 10430-34

SG 11303

Curtain components:

- SG 3582 Hook
- SG 6349 Wave curtain tape
- SG 6363 Wave top hemming tape
- SG 10075 Lead weight 50 gr/m
- SG 10076 Fabric weight



SG 3582

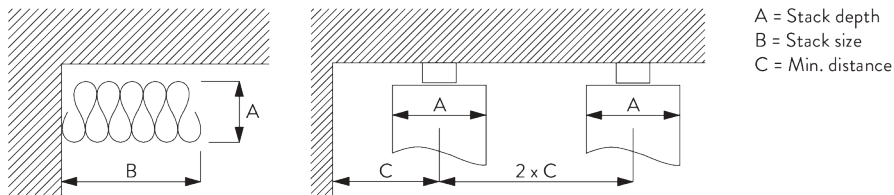
SG 6349

SG 6363

SG 10075

SG 10076

Wave stack depth - 2C glider cord (standard components)



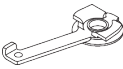

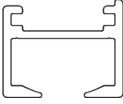
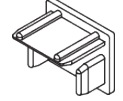
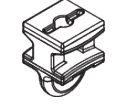
2C Glider cord SG 11302	Pockets between hooks	Approx. curtain fullness	Stack depth A	Stack size B*	Min distance C
80	6	~2.1	140	180 per metre of track	90
80	7	~2.3	160	180 per metre of track	100

2C Glider cord SG 11303	Pockets between hooks	Approx. curtain fullness	Stack depth A	Stack size B*	Min distance C
60	4	~2.1	100	230 per metre of track	70
60	5	~2.3	120	230 per metre of track	80

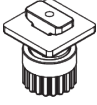
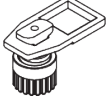

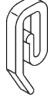




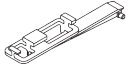
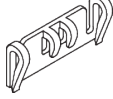
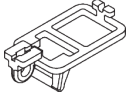



*Stack size B when using optional extension arm SG 6364 increases by 95 mm per curtain stack!

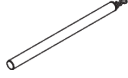
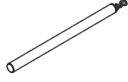
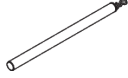
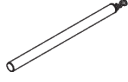

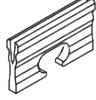
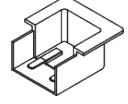
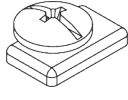

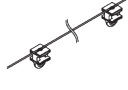

PARTS

A. STANDARD PARTS

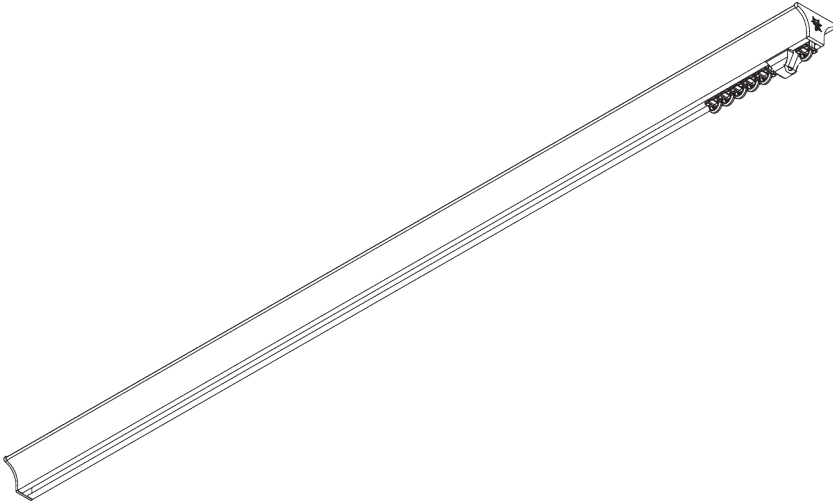
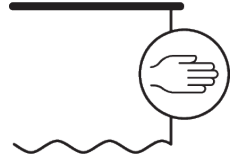
	SG 3060 Clamp
	SG 6065 End stop
	SG 6466 Profile
	SG 6471 End cover
	SG 11300 2C glider

B. OPTIONAL PARTS

	SG 2255 Brake
	SG 2256 Brake
	SG 3062 Connection bridge
	SG 3582 Hook
	SG 3599 Hook
	SG 6064 End stop
	SG 6349 Wave curtain tape
	SG 6363 Wave top hemming tape
	SG 6364 Wave extension
	SG 6365 Wave hanger
	SG 6366 Wave carrier for draw rod
	SG 10075 Lead weight 50 g/m
	SG 10076 Fabric weight
	SG 10430 Draw rod 50 cm

	SG 10431 Draw rod 75 cm
	SG 10432 Draw rod 100 cm
	SG 10433 Draw rod 125 cm
	SG 10434 Draw rod 150 cm
	SG 11231 Recess profile
	SG 11237 Wedge
	SG 11239 Recess Mask
	SG 11295 End stop
	SG 11301 2C glider on strip
	SG 11302 Wave 2C glider cord 80 mm
	SG 11303 Wave 2C glider cord 60 mm

SG 6820



PRODUCT INFORMATION

- **Operation:** hand
- **Range:** S - M
- **Fitting:** ceiling
- **Colours:** white RAL 9016; special colours or anodised aluminum possible
- **Fabrics:** refer to Silent Gliss fabric collection

Features:

- 2-component (2C) glider technology
- Wave (2C)
- Symmetrical funnel design
- Bendable

SYSTEM SPECIFICATIONS

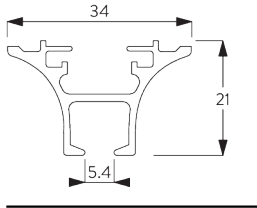
A. SYSTEM DIMENSIONS



10 kg

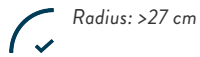
B. PROFILE

Profile and bending information



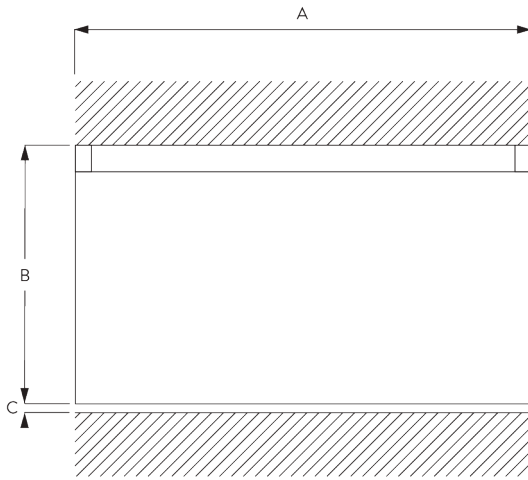
SG 6821

Profile Funnel



Radius: >27 cm

C. HOW TO MEASURE



A: System width

B: System height

C: Distance between floor and fabric

D. SPECIFICATION TEXT

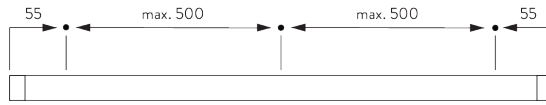
Silent Gliss SG 6820 Hand Operated Curtain Track System. Comprises aluminium profile SG 6821 made to measure powder coated white, with gliders SG 11300 at 14/m and 2 end covers SG 6823 and 2 end stops SG 6065 per length. Top fixed with clip brackets SG 11236 at 500mm centres. Silent Gliss Wave option is available using 60mm glider cord 11303 / 80mm glider cord 11302.

FITTING

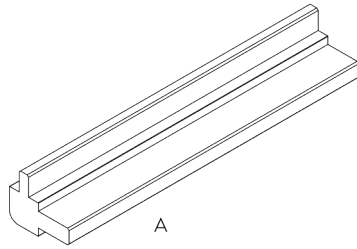
A. FITTING INFORMATION

For detailed fitting information, visit the *Silent Gliss* website.

Fixing points



Fitting Tool

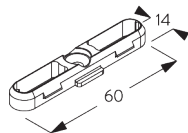
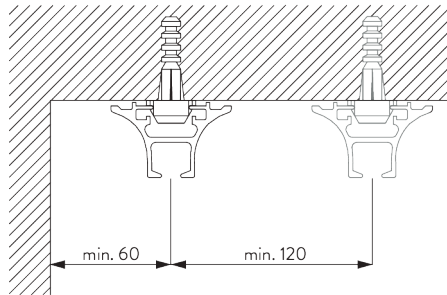


A: Funnel fitting tool SG 6827

For fitting / removing of the funnel profile.

B. CEILING FITTING

Clip SG 11236

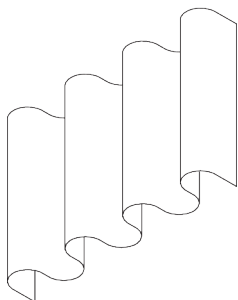


SG 11236

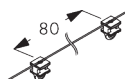
Clip

SYSTEM OPTIONS

A. WAVE



SG 11295



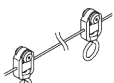
SG 11302



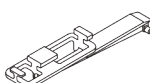
SG 2255



SG 2256



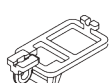
SG 6099



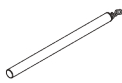
SG 6364



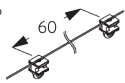
SG 6365



SG 6366



SG 10430-34



SG 11303

Standard components:

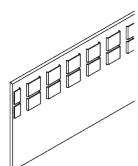
- SG 11295 End stop
- SG 11302 Wave 2C glider cord 80 mm

Optional components:

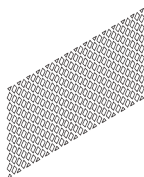
- SG 2255 Brake
- SG 2256 Brake
- SG 6099 Wave roller cord 80 mm
- SG 6364 Wave extension
- SG 6365 Wave hanger
- SG 6366 Wave carrier for draw rod
- SG 10430-34 Draw rod
- SG 11303 Wave 2C glider cord 60 mm



SG 3582



SG 6349



SG 6363



SG 10075

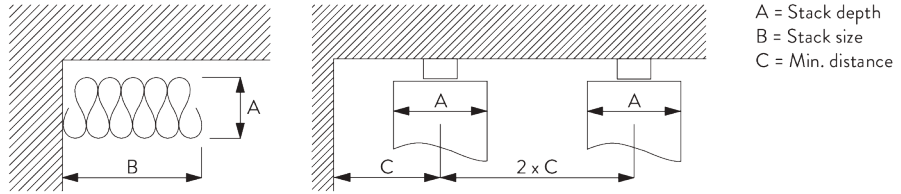


SG 10076

Curtain components:

- SG 3582 Hook
- SG 6349 Wave curtain tape
- SG 6363 Wave top hemming tape
- SG 10075 Lead weight 50 gr/m
- SG 10076 Fabric weight

Wave stack depth - 2C glider cord (standard components)



2C Glider cord SG 11302	Pockets between hooks	Approx. curtain fullness	Stack depth A	Stack size B*	Min distance C
80	6	~2.1	140	180 per metre of track	90
80	7	~2.3	160	180 per metre of track	100

2C Glider cord SG 11303	Pockets between hooks	Approx. curtain fullness	Stack depth A	Stack size B*	Min distance C
60	4	~2.1	100	230 per metre of track	70
60	5	~2.3	120	230 per metre of track	80

*Stack size B when using optional extension arm SG 6364 increases by 95 mm per curtain stack!

PARTS

A. STANDARD PARTS



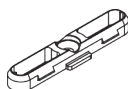
SG 6065
End stop



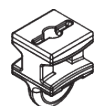
SG 6821
Profile Funnel



SG 6823
End cover

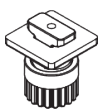


SG 11236
Clip

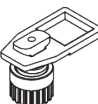


SG 11300
2C glider

B. OPTIONAL PARTS



SG 2255
Brake



SG 2256
Brake



SG 3582
Hook



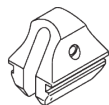
SG 3599
Hook



SG 3802
Connection bridge



SG 6053
Spring stop



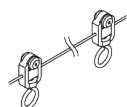
SG 6086
Spring stop



SG 6094
Roller



SG 6098
Roller



SG 6099
Wave roller cord 80 mm



SG 6146
Hook



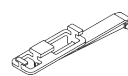
SG 6283
Roller



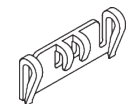
SG 6349
Wave curtain tape



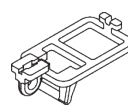
SG 6363
Wave top hemming tape



SG 6364
Wave extension



SG 6365
Wave hanger



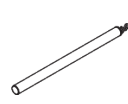
SG 6366
Wave carrier for draw rod



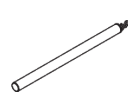
SG 10075
Lead weight 50 g/m



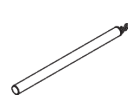
SG 10076
Fabric weight



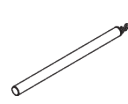
SG 10430
Draw rod 50 cm



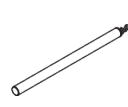
SG 10431
Draw rod 75 cm



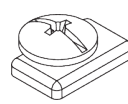
SG 10432
Draw rod 100 cm



SG 10433
Draw rod 125 cm



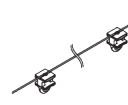
SG 10434
Draw rod 150 cm



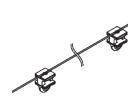
SG 11295
End stop



SG 11301
2C glider on strip

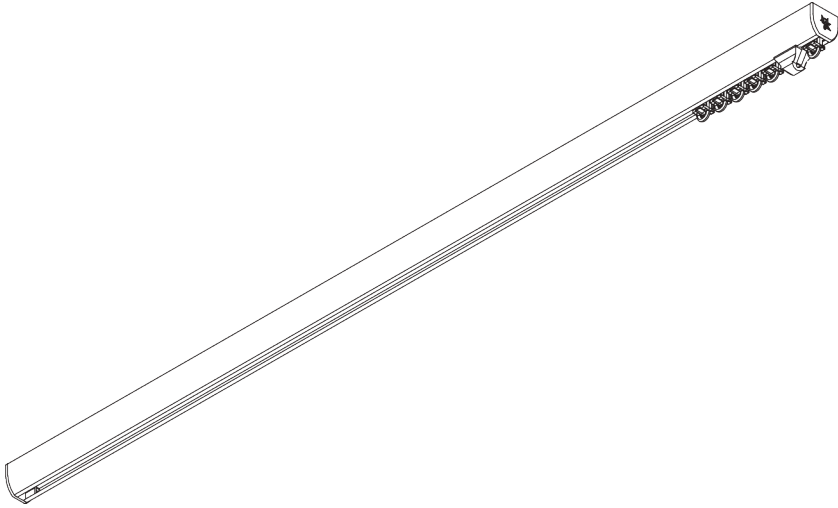
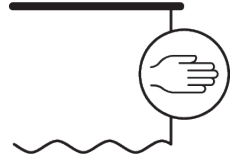


SG 11302
Wave 2C glider cord 80 mm



SG 11303
Wave 2C glider cord 60 mm

SG 6840



PRODUCT INFORMATION

- **Operation:** hand
- **Range:** M - L
- **Fitting:** ceiling, wall
- **Colours:** white RAL 9016, black RAL 9005 or anodised aluminum, special colours possible
- **Fabrics:** refer to Silent Gliss fabric collection

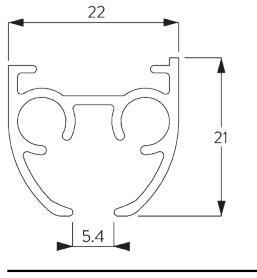
Features:

- 2-component (2C) glider technology
- Wave (2C)
- Bendable

SYSTEM SPECIFICATIONS

A. PROFILE

Profile and bending information

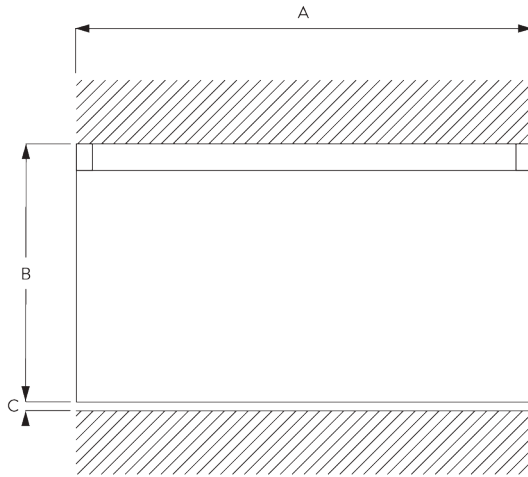


SG 3841

Profile

Radius:
20 cm, >30 cm

B. HOW TO MEASURE



A: System width
B: System height
C: Distance between floor and fabric

C. SPECIFICATION TEXT

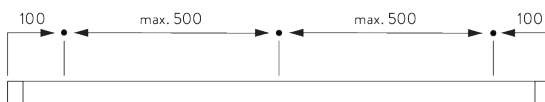
Silent Gliss SG 6840 Hand Operated Curtain Track System. Comprises aluminium profile SG 3841 available in anodised silver aluminium or powder coated in white / matt white / anodic grey / antique bronze / charcoal / black. Supplied as standard with 2C gliders SG 11300 at 14/m, 2 end covers SG 3842 and 2 end stops SG 6065. Top fixed with clamp SG 3825 at max. 500mm centres. Optional top fix bracket SG 3826 / SG 3832. Wall fix with SG Smart Fix brackets SG 11201-11205 and SG 3826 or SG 3832 / SG Square Smart Fix brackets SG 11210-11215 and SG 3826 or SG 3832 / SG Universal Smart Fix brackets SG 11154-11156. Silent Gliss Wave option is available using 60mm glider cord SG 11303 / 80mm glider cord SG 11302.

FITTING

A. FITTING INFORMATION

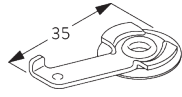
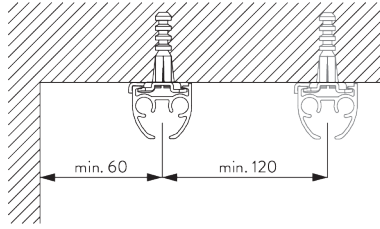
Fixing points

For detailed fitting information, visit the [Silent Gliss website](#).



B. CEILING FITTING

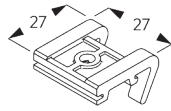
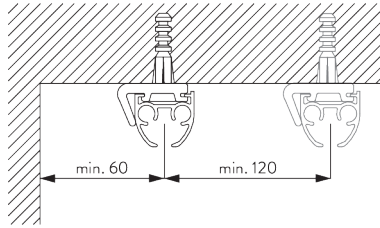
Clamp SG 3825



SG 3825

Clamp

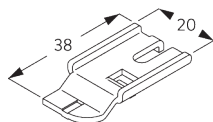
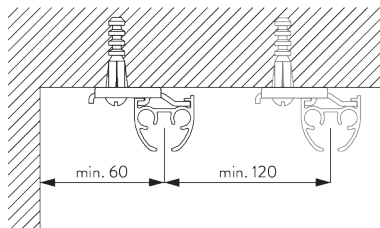
Bracket SG 3826



SG 3826

Bracket

Bracket SG 3832

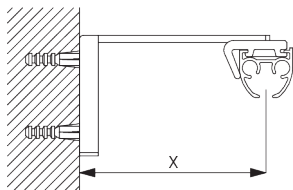


SG 3832

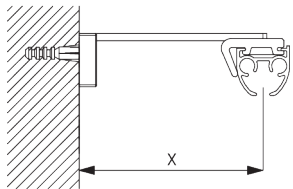
Bracket

C. WALL FITTING

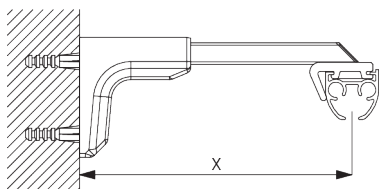
Smart Fix



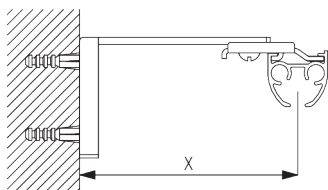
Smart Fix SG 11200 - SG 11205 and bracket SG 3826:
Screw SG 10492 (M4x8) needed.



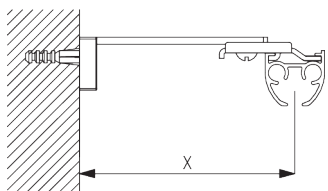
Square Smart Fix SG 11210 - SG 11215 and bracket SG 3826:
Screw SG 10492 (M4x8) needed.



Universal Smart Fix SG 11154 - SG 11156 and bracket SG 3826:
Screw SG 10277 (M4x12) needed.

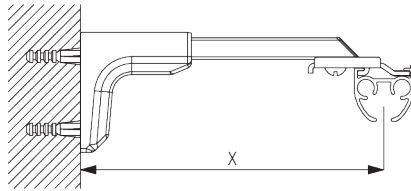


Smart Fix SG 11200 - SG 11205 and bracket SG 3832:
Screw SG 10492 (M4x8) needed.



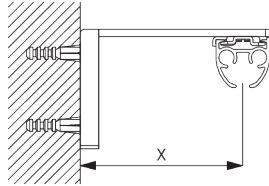
Square Smart Fix SG 11210 - SG 11215 and bracket SG 3832:
Screw SG 10492 (M4x8) needed.

Smart Fix	X mm (SG 3826 / SG 3825)	X mm (SG 3832)
SG 11200 / SG 11210	52	70
SG 11201 / SG 11211	72	90
SG 11202 / SG 11212	92	110
SG 11203 / SG 11213	112	130
SG 11204 / SG 11214	142	160
SG 11205 / SG 11215	192	210
SG 11154	102-130	120-148
SG 11155	132-160	150-178
SG 11156	182-210	200-228



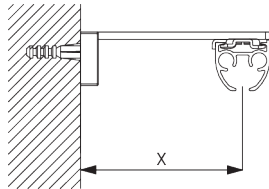
Universal Smart Fix SG 11154 - SG 11156 and bracket SG 3832:

Screw SG 10407 (M4x10) needed.



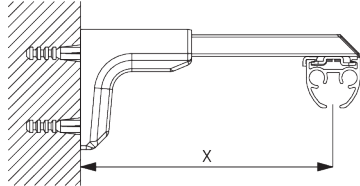
Smart Fix SG 11200 - SG 11205 and clamp SG 3825:

Screw SG 10074 (M4x8) needed.



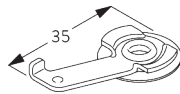
Square Smart Fix SG 11210 - SG 11215 and clamp SG 3825:

Screw SG 10074 (M4x8) needed.

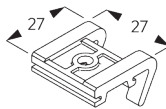


Universal Smart Fix SG 11154 - SG 11156 and clamp SG 3825:

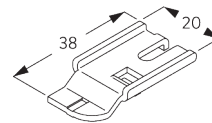
Screw SG 11158 (M4x12) needed.



SG 3825
Clamp



SG 3826
Bracket



SG 3832
Bracket



SG 10074
Countersunk head screw
M4x8



SG 10277
Pan head screw M4x12



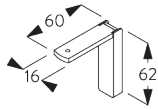
SG 10407
Pan head screw M4x10



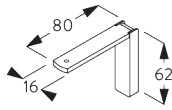
SG 10492
Pan head screw M4x8



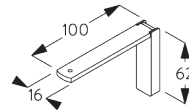
SG 11158
Countersunk head screw
M4x12



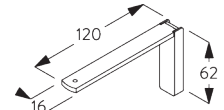
SG 11200
Smart Fix 60 mm



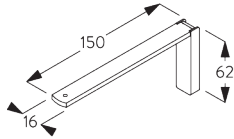
SG 11201
Smart Fix 80 mm



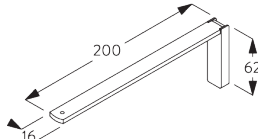
SG 11202
Smart Fix 100 mm



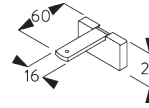
SG 11203
Smart Fix 120 mm



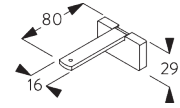
SG 11204
Smart Fix 150 mm



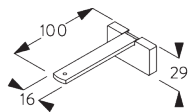
SG 11205
Smart Fix 200 mm



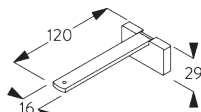
SG 11210
Square Smart Fix 60 mm



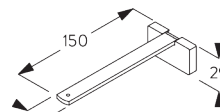
SG 11211
Square Smart Fix 80 mm



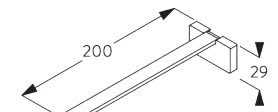
SG 11212
Square Smart Fix 100 mm



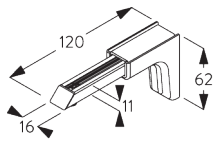
SG 11213
Square Smart Fix 120 mm



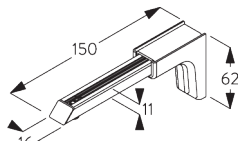
SG 11214
Square Smart Fix 150 mm



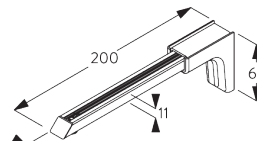
SG 11215
Square Smart Fix 200 mm



SG 11154
Universal Smart Fix 120 mm

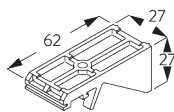
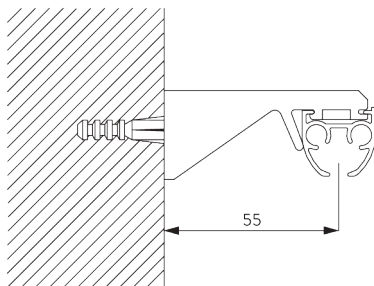


SG 11155
Universal Smart Fix 150 mm



SG 11156
Universal Smart Fix 200 mm

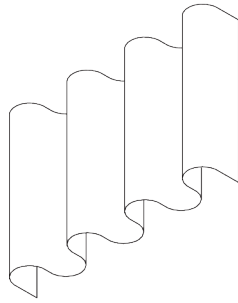
Bracket SG 3836



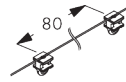
SG 3836
Bracket

SYSTEM OPTIONS

A. WAVE



SG 11295



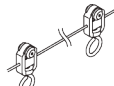
SG 11302



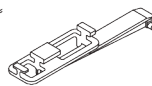
SG 2255



SG 2256



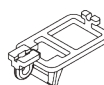
SG 6099



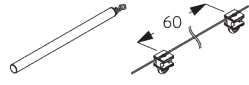
SG 6364



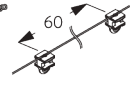
SG 6365



SG 6366



SG 10430-34



SG 11303

Standard components:

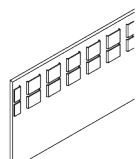
- SG 11295 End stop
- SG 11302 Wave 2C glider cord 80 mm

Optional components (min. radius: >30 cm):

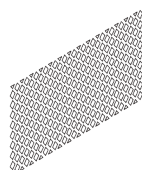
- SG 2255 Brake
- SG 2256 Brake
- SG 6099 Wave roller cord 80 mm
- SG 6364 Wave extension
- SG 6365 Wave hanger
- SG 6366 Wave carrier for draw rod
- SG 10430-34 Draw rod
- SG 11303 Wave 2C glider cord 60 mm



SG 3582



SG 6349



SG 6363



SG 10075

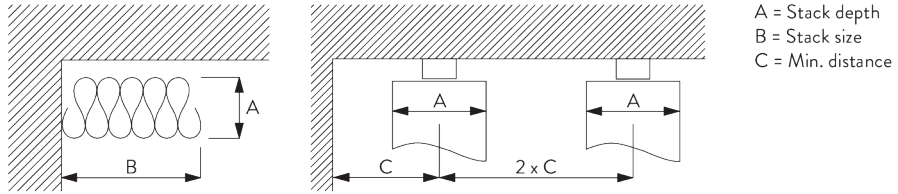


SG 10076

Curtain components:

- SG 3582 Hook
- SG 6349 Wave curtain tape
- SG 6363 Wave top hemming tape
- SG 10075 Lead weight 50 gr/m
- SG 10076 Fabric weight

Wave stack depth - 2C glider cord (standard components)








2C Glider cord SG 11302	Pockets between hooks	Approx. curtain fullness	Stack depth A	Stack size B*	Min distance C
80	6	~2.1	140	180 per metre of track	90
80	7	~2.3	160	180 per metre of track	100

2C Glider cord SG 11303	Pockets between hooks	Approx. curtain fullness	Stack depth A	Stack size B*	Min distance C
60	4	~2.1	100	230 per metre of track	70
60	5	~2.3	120	230 per metre of track	80

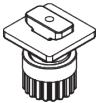
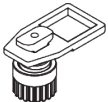



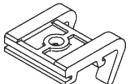
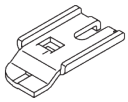
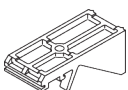


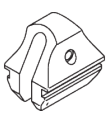


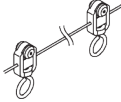
*Stack size B when using optional extension arm SG 6364 increases by 95 mm per curtain stack!


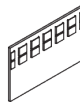

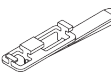
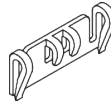
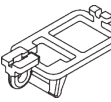
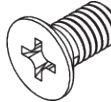

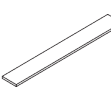

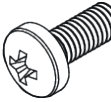
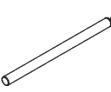
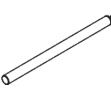
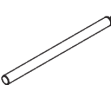
PARTS

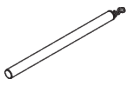
A. STANDARD PARTS

	SG 3825 Clamp
	SG 3841 Profile
	SG 3842 End cover
	SG 6065 End stop
	SG 11300 2C glider

B. OPTIONAL PARTS

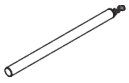
	SG 2255 Brake
	SG 2256 Brake
	SG 3582 Hook
	SG 3599 Hook
	SG 3802 Connection bridge
	SG 3826 Bracket
	SG 3832 Bracket
	SG 3836 Bracket
	SG 6053 Spring stop
	SG 6064 End stop
	SG 6086 Spring stop
	SG 6094 Roller
	SG 6098 Roller
	SG 6099 Wave roller cord 80 mm

	SG 6283 Roller
	SG 6349 Wave curtain tape
	SG 6363 Wave top hemming tape
	SG 6364 Wave extension
	SG 6365 Wave hanger
	SG 6366 Wave carrier for draw rod
	SG 10074 Countersunk head screw M4x8
	SG 10075 Lead weight 50 g/m
	SG 10076 Fabric weight
	SG 10277 Pan head screw M4x12
	SG 10407 Pan head screw M4x10
	SG 10430 Draw rod 50 cm
	SG 10431 Draw rod 75 cm
	SG 10432 Draw rod 100 cm



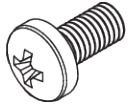
SG 10433

Draw rod 125 cm



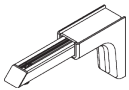
SG 10434

Draw rod 150 cm



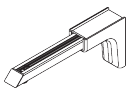
SG 10492

Pan head screw M4x8



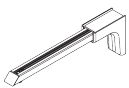
SG 11154

Universal Smart Fix 120 mm



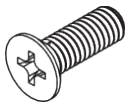
SG 11155

Universal Smart Fix 150 mm



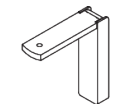
SG 11156

Universal Smart Fix 200 mm



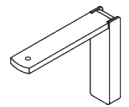
SG 11158

Countersunk head screw M4x12



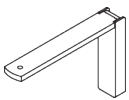
SG 11200

Smart Fix 60 mm



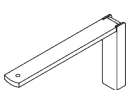
SG 11201

Smart Fix 80 mm



SG 11202

Smart Fix 100 mm



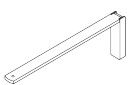
SG 11203

Smart Fix 120 mm



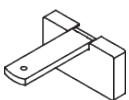
SG 11204

Smart Fix 150 mm



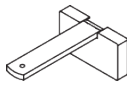
SG 11205

Smart Fix 200 mm



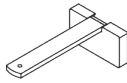
SG 11210

Square Smart Fix 60 mm



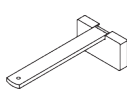
SG 11211

Square Smart Fix 80 mm



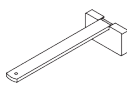
SG 11212

Square Smart Fix 100 mm



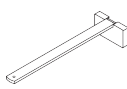
SG 11213

Square Smart Fix 120 mm



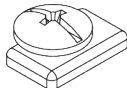
SG 11214

Square Smart Fix 150 mm



SG 11215

Square Smart Fix 200 mm



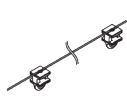
SG 11295

End stop



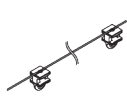
SG 11301

2C glider on strip



SG 11302

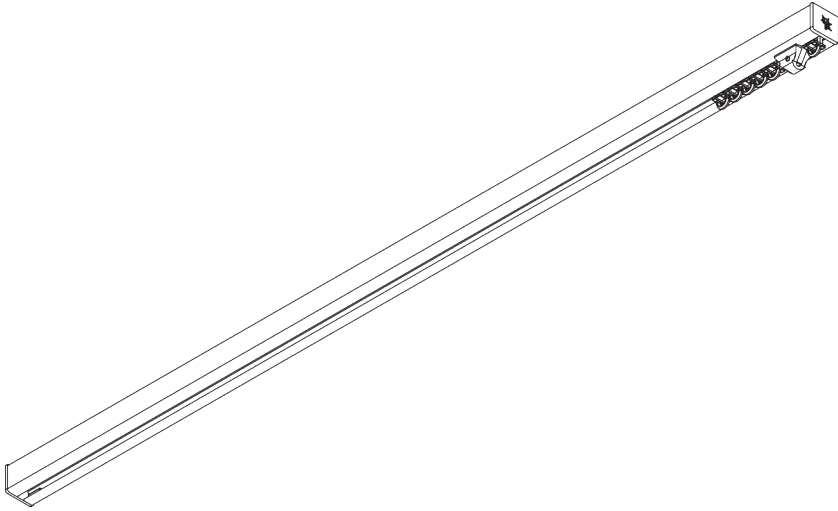
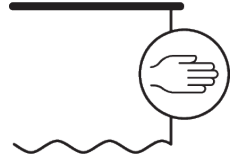
Wave 2C glider cord 80 mm



SG 11303

Wave 2C glider cord 60 mm

SG 6870



PRODUCT INFORMATION

- **Operation:** hand
- **Range:** M - L
- **Fitting:** ceiling, wall, recess
- **Colours:** white RAL 9016, black RAL 9005 or anodised aluminum, special colours possible (recess profile only in white RAL 9016, black RAL 9005 or special color)
- **Fabrics:** refer to Silent Gliss fabric collection

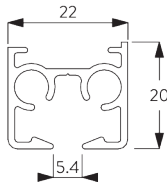
Features:

- 2-component (2C) glider technology
- Wave (2C)
- Bendable
- Bendable recess profile

SYSTEM SPECIFICATIONS

A. PROFILE

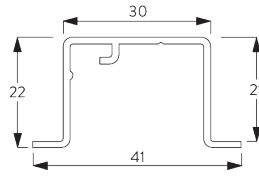
Profile and bending information



SG 11190

Profile

Radius:  >26 cm

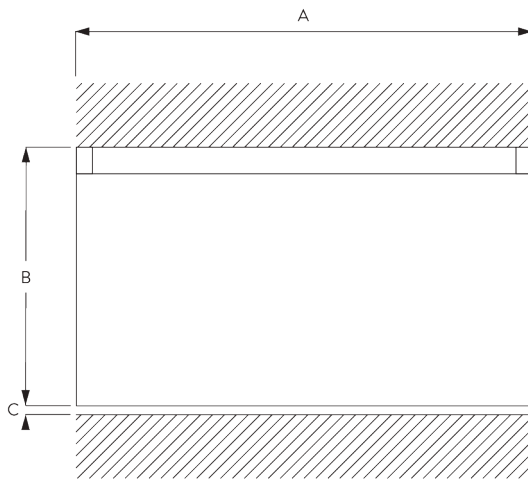


SG 11230

Recess profile

Radius:  >50 cm

B. HOW TO MEASURE



A: System width

B: System height

C: Distance between floor and fabric

C. SPECIFICATION TEXT

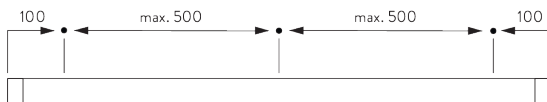
Silent Gliss SG 6870 Hand Operated Curtain Track System. Comprises aluminium profile SG 11190 supplied made to measure, available in silver anodised or powder coated in white / matt white / anodic grey / antique bronze / charcoal / black. Supplied as standard with 2C gliders SG 11300 at 14/m, 2 end covers SG 11233 and 2 end stops SG 6065. Top fixed with fixing clamp SG 3825 at 500mm centres. Optional top fix bracket SG 3832 / Wall fix with SG Smart Fix brackets SG 11201-11205 and SG 3826 or SG 3832 / Square Smart Fix brackets SG 11210-11215 and SG 3826 or SG 3832 / SG Universal Smart Fix brackets SG 11154-11156

FITTING

A. FITTING INFORMATION

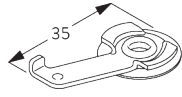
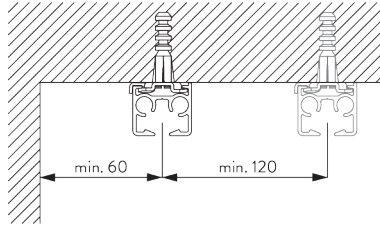
Fixing points

For detailed fitting information, visit the Silent Gliss website.



B. CEILING FITTING

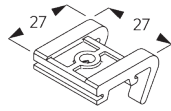
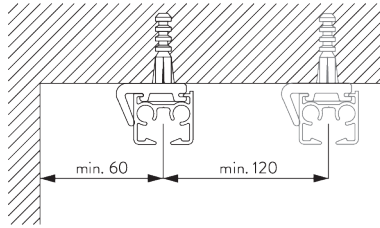
Clamp SG 3825



SG 3825

Clamp

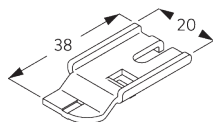
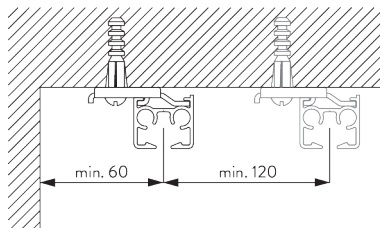
Bracket SG 3826



SG 3826

Bracket

Bracket SG 3832

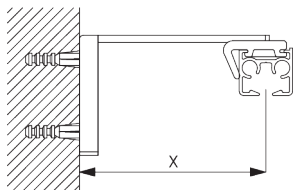


SG 3832

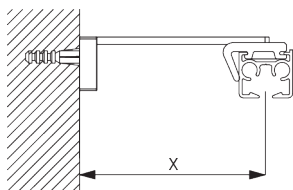
Bracket

C. WALL FITTING

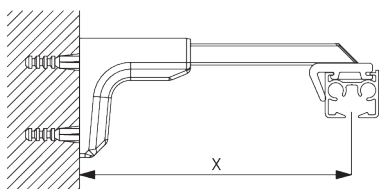
Smart Fix



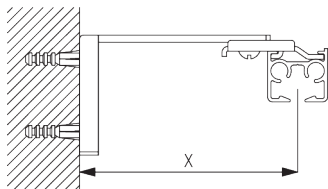
Smart Fix SG 11200 - SG 11205 and bracket SG 3826:
Screw SG 10492 (M4x8) needed.



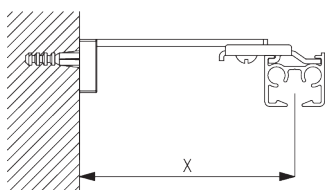
Square Smart Fix SG 11210 - SG 11215 and bracket SG 3826:
Screw SG 10492 (M4x8) needed.



Universal Smart Fix SG 11154 - SG 11156 and bracket SG 3826:
Screw SG 10277 (M4x12) needed.

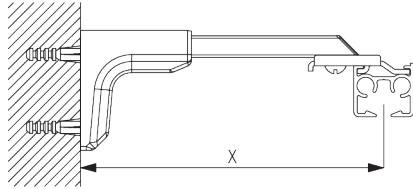


Smart Fix SG 11200 - SG 11205 and bracket SG 3832:
Screw SG 10492 (M4x8) needed.



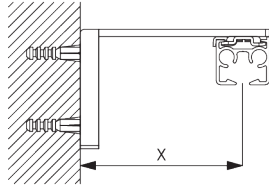
Square Smart Fix SG 11210 - SG 11215 and bracket SG 3832:
Screw SG 10492 (M4x8) needed.

Smart Fix	X mm (SG 3826 / SG 3825)	X mm (SG 3832)
SG 11200 / SG 11210	52	70
SG 11201 / SG 11211	72	90
SG 11202 / SG 11212	92	110
SG 11203 / SG 11213	112	130
SG 11204 / SG 11214	142	160
SG 11205 / SG 11215	192	210
SG 11154	102-130	120-148
SG 11155	132-160	150-178
SG 11156	182-210	200-228



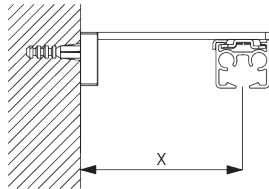
Universal Smart Fix SG 11154 - SG 11156 and bracket SG 3832:

Screw SG 10407 (M4x10) needed.



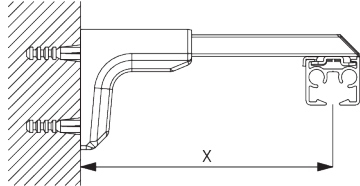
Smart Fix SG 11200 - SG 11205 and clamp SG 3825:

Screw SG 10074 (M4x8) needed.



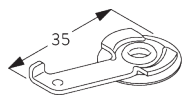
Square Smart Fix SG 11210 - SG 11215 and clamp SG 3825:

Screw SG 10074 (M4x8) needed.

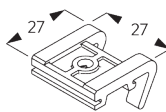


Universal Smart Fix SG 11154 - SG 11156 and clamp SG 3825:

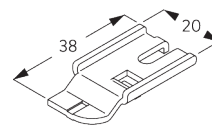
Screw SG 11158 (M4x12) needed.



SG 3825
Clamp



SG 3826
Bracket



SG 3832
Bracket



SG 10074
Countersunk head screw
M4x8



SG 10277
Pan head screw M4x12



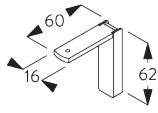
SG 10407
Pan head screw M4x10



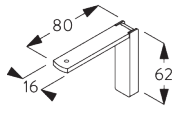
SG 10492
Pan head screw M4x8



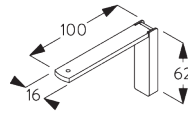
SG 11158
Countersunk head screw
M4x12



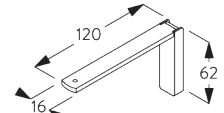
SG 11200
Smart Fix 60 mm



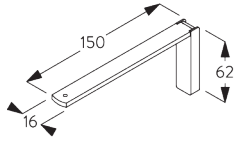
SG 11201
Smart Fix 80 mm



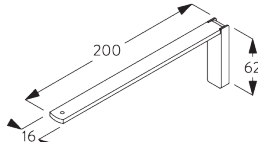
SG 11202
Smart Fix 100 mm



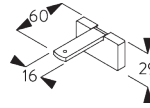
SG 11203
Smart Fix 120 mm



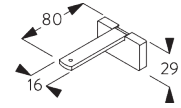
SG 11204
Smart Fix 150 mm



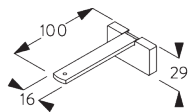
SG 11205
Smart Fix 200 mm



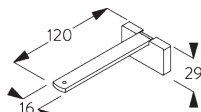
SG 11210
Square Smart Fix 60 mm



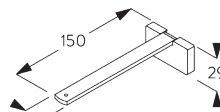
SG 11211
Square Smart Fix 80 mm



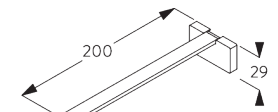
SG 11212
Square Smart Fix 100 mm



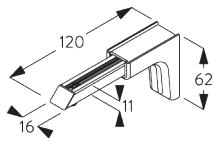
SG 11213
Square Smart Fix 120 mm



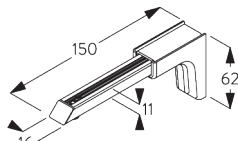
SG 11214
Square Smart Fix 150 mm



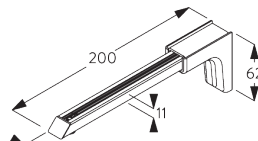
SG 11215
Square Smart Fix 200 mm



SG 11154
Universal Smart Fix 120 mm

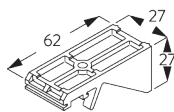
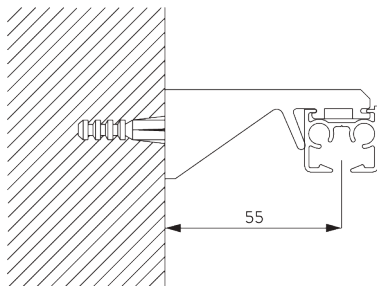


SG 11155
Universal Smart Fix 150 mm



SG 11156
Universal Smart Fix 200 mm

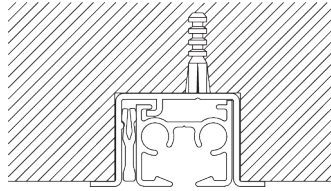
Bracket SG 3836



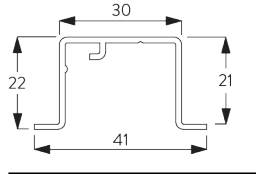
SG 3836
Bracket

D. RECESS FITTING

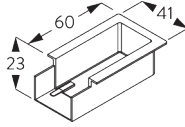
Recess profile SG 11230



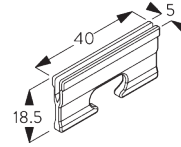
One wedge SG 10157 per fixing point.
For detailed recess fitting, visit the Silent Gliss website.



SG 11230
Recess profile



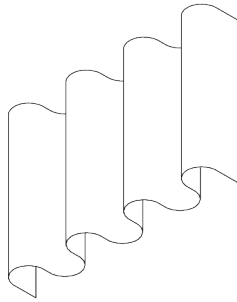
SG 11238
Recess Mask



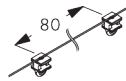
SG 10157
Wedge

SYSTEM OPTIONS

A. WAVE



SG 11295



SG 11302

Standard components:

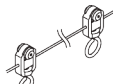
- SG 11295 End stop
- SG 11302 Wave 2C glider cord 80 mm



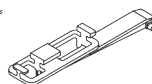
SG 2255



SG 2256



SG 6099



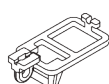
SG 6364

Optional components:

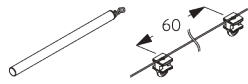
- SG 2255 Brake
- SG 2256 Brake
- SG 6099 Wave roller cord 80 mm
- SG 6364 Wave extension
- SG 6365 Wave hanger
- SG 6366 Wave carrier for draw rod
- SG 10430-34 Draw rod
- SG 11303 Wave 2C glider cord 60 mm



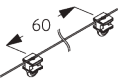
SG 6365



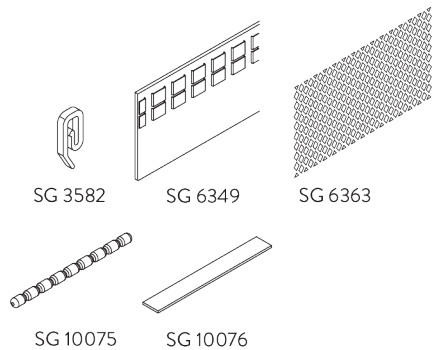
SG 6366



SG 10430-34



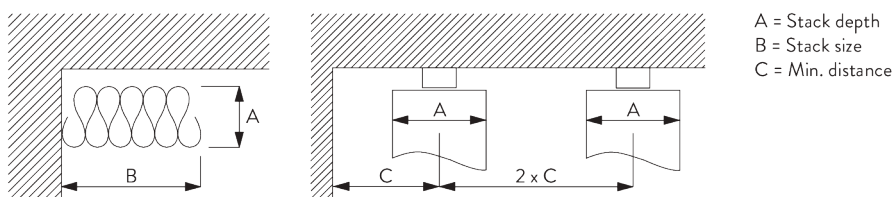
SG 11303



Curtain components:

- SG 3582 Hook
- SG 6349 Wave curtain tape
- SG 6363 Wave top hemming tape
- SG 10075 Lead weight 50 gr/m
- SG 10076 Fabric weight

Wave stack depth - 2C glider cord (standard components)



A = Stack depth
 B = Stack size
 C = Min. distance



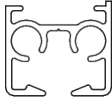
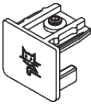

2C Glider cord SG 11302	Pockets between hooks	Approx. curtain fullness	Stack depth A	Stack size B*	Min distance C
80	6	~2.1	140	180 per metre of track	90
80	7	~2.3	160	180 per metre of track	100

2C Glider cord SG 11303	Pockets between hooks	Approx. curtain fullness	Stack depth A	Stack size B*	Min distance C
60	4	~2.1	100	230 per metre of track	70
60	5	~2.3	120	230 per metre of track	80

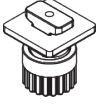

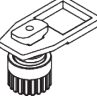


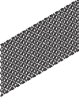

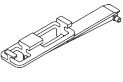

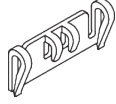
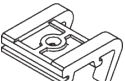
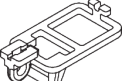
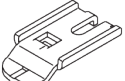

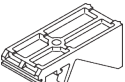


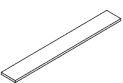

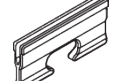





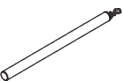
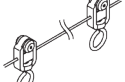
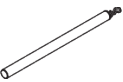
*Stack size B when using optional extension arm SG 6364
 increases by 95 mm per curtain stack!

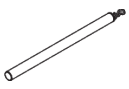
PARTS

A. STANDARD PARTS

	SG 3825 Clamp
	SG 6065 End stop
	SG 11190 Profile
	SG 11233 End cover
	SG 11300 2C glider

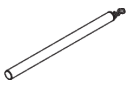
B. OPTIONAL PARTS

	SG 2255 Brake		SG 6283 Roller
	SG 2256 Brake		SG 6349 Wave curtain tape
	SG 3582 Hook		SG 6363 Wave top hemming tape
	SG 3599 Hook		SG 6364 Wave extension
	SG 3802 Connection bridge		SG 6365 Wave hanger
	SG 3826 Bracket		SG 6366 Wave carrier for draw rod
	SG 3832 Bracket		SG 10074 Countersunk head screw M4x8
	SG 3836 Bracket		SG 10075 Lead weight 50 g/m
	SG 6053 Spring stop		SG 10076 Fabric weight
	SG 6064 End stop		SG 10157 Wedge
	SG 6086 Spring stop		SG 10277 Pan head screw M4x12
	SG 6094 Roller		SG 10407 Pan head screw M4x10
	SG 6098 Roller		SG 10430 Draw rod 50 cm
	SG 6099 Wave roller cord 80 mm		SG 10431 Draw rod 75 cm



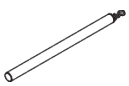
SG 10432

Draw rod 100 cm



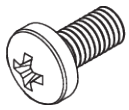
SG 10433

Draw rod 125 cm



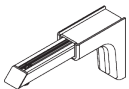
SG 10434

Draw rod 150 cm



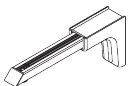
SG 10492

Pan head screw M4x8



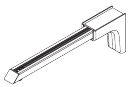
SG 11154

Universal Smart Fix 120 mm



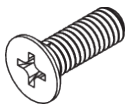
SG 11155

Universal Smart Fix 150 mm



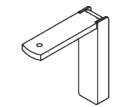
SG 11156

Universal Smart Fix 200 mm



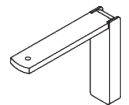
SG 11158

Countersunk head screw M4x12



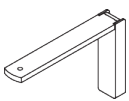
SG 11200

Smart Fix 60 mm



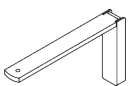
SG 11201

Smart Fix 80 mm



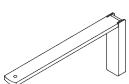
SG 11202

Smart Fix 100 mm



SG 11203

Smart Fix 120 mm



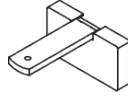
SG 11204

Smart Fix 150 mm



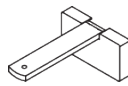
SG 11205

Smart Fix 200 mm



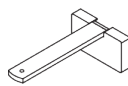
SG 11210

Square Smart Fix 60 mm



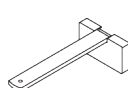
SG 11211

Square Smart Fix 80 mm



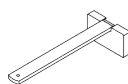
SG 11212

Square Smart Fix 100 mm



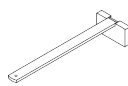
SG 11213

Square Smart Fix 120 mm



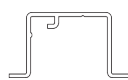
SG 11214

Square Smart Fix 150 mm



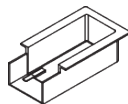
SG 11215

Square Smart Fix 200 mm



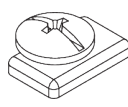
SG 11230

Recess profile



SG 11238

Recess Mask



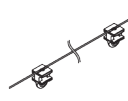
SG 11295

End stop



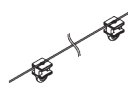
SG 11301

2C glider on strip



SG 11302

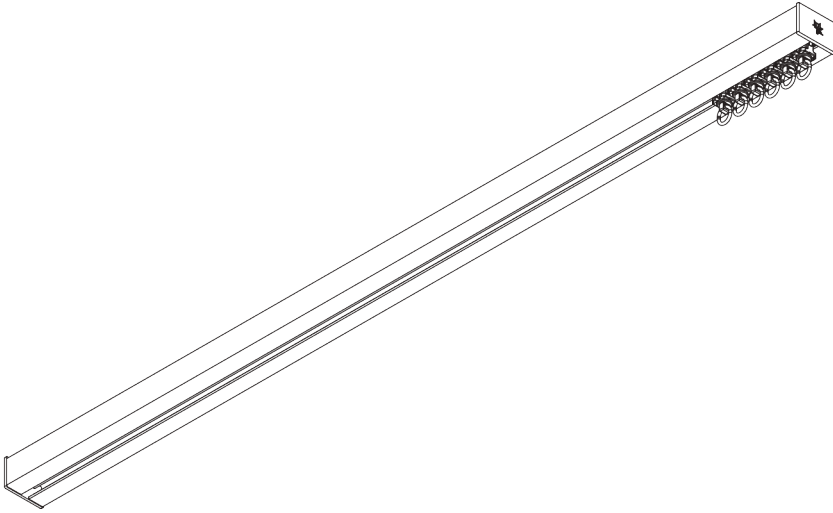
Wave 2C glider cord 80 mm



SG 11303

Wave 2C glider cord 60 mm

SG 6970



PRODUCT INFORMATION

- **Operation:** hand
- **Range:** M - L
- **Fitting:** ceiling, wall, recess
- **Colours:** white RAL 9016, black RAL 9005 or anodised aluminum, special colours possible (recess profile only in white RAL 9016, black RAL 9005 or special color)
- **Fabrics:** refer to Silent Gliss fabric collection

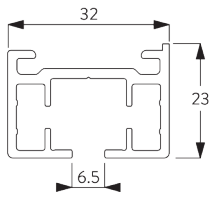
Features:

- 2-component (2C) roller technology
- Wave (2C)
- Bendable
- Bendable recess profile

SYSTEM SPECIFICATIONS

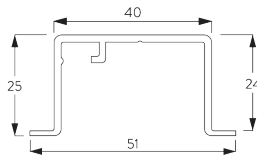
A. PROFILE

Profile and bending information



SG 10850

Profile

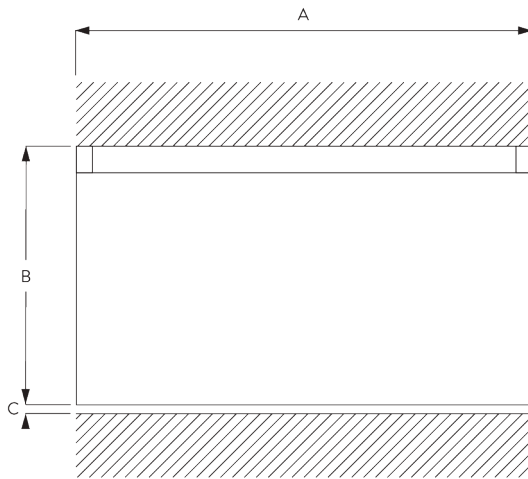


SG 10862

Recess profile



B. HOW TO MEASURE



A: System width
B: System height
C: Distance between floor and fabric

C. SPECIFICATION TEXT

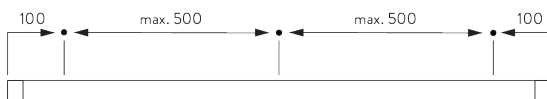
Silent Gliss SG 6970 Hand Operated Curtain Track System. Comprises aluminium profile SG 10850 supplied made to measure available in silver anodised or powder coated in white / black. Supplied as standard with 2C roller gliders SG 10840 at 10/m, 2 end covers SG 11235 and 2 end stops SG 6007. Top fixed with fixing clamp SG 3004 at max. 500mm centres. Optional top fix with SG 3041 bracket or direct top fix with mounting plate SG 10865 and profile protector SG 7002. Wall fix with SG Smart Fix brackets SG 11201-11205 and SG 3041 or SG 3004 / SG Square Smart Fix brackets SG 11210-11215 and SG 3041 or SG 3004 / SG Universal Smart Fix brackets SG 11154-11156 and SG 3041 or SG 3004. Recess fix with recess profile SG 10862, recess masks SG 10864 and wedges SG 5118. Silent Gliss Wave option is available using 60mm glider cord SG 10869 / 80mm glider cord SG 10852.

FITTING

A. FITTING INFORMATION

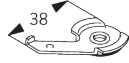
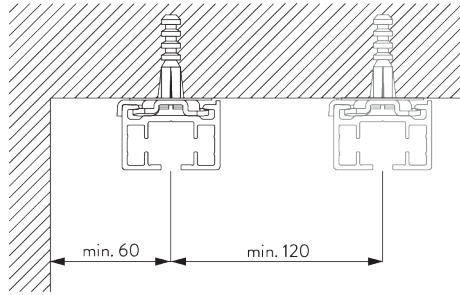
Fixing points

For detailed fitting information, visit the Silent Gliss website.



B. CEILING FITTING

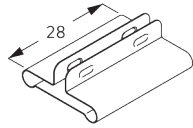
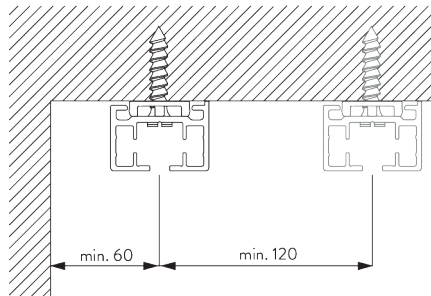
Clamp SG 3004



SG 3004

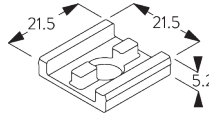
Clamp

Direct fitting



SG 7002

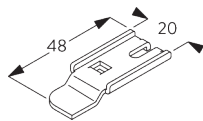
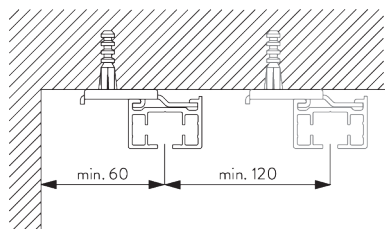
Profile protector



SG 10865

Support plate

Bracket SG 3041

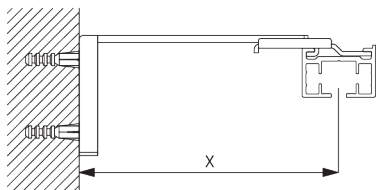


SG 3041

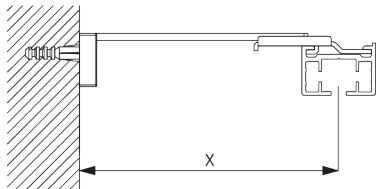
Bracket

C. WALL FITTING

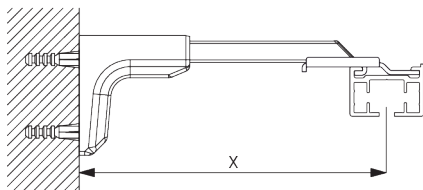
Smart Fix



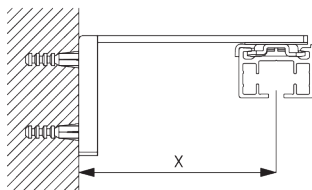
Smart Fix SG 11200 - SG 1205 and bracket SG 3041:
Screw SG 10492 (M4x8) needed.



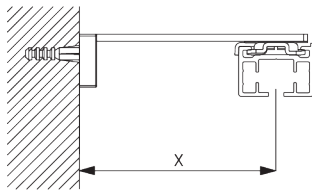
Square Smart Fix SG 11210 - SG 1215 and bracket SG 3041:
Screw SG 10492 (M4x8) needed.



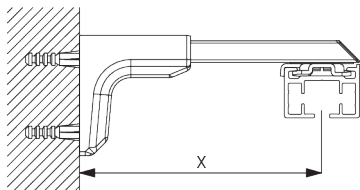
Universal Smart Fix SG 11154 - SG 1156 and bracket SG 3041:
Screw SG 10407 (M4x10) needed.



Smart Fix SG 11201 - SG 1205 and clamp SG 3004:
Screw SG 10074 (M4x8) needed.

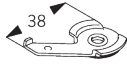


Square Smart Fix SG 11211 - SG 1215 and clamp SG 3004:
Screw SG 10074 (M4x8) needed.

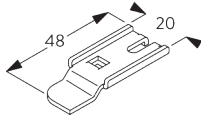


Universal Smart Fix SG 11154 - SG 1156 and clamp SG 3004:
Screw SG 11158 (M4x12) needed.

Smart Fix	X mm (SG 3041)	X mm (SG 3004)
SG 11200 / SG 11210	83	
SG 11201 / SG 11211	103	72
SG 11202 / SG 11212	123	92
SG 11203 / SG 11213	143	112
SG 11204 / SG 11214	173	142
SG 11205 / SG 11215	223	192
SG 11154	128-156	102-130
SG 11155	158-186	132-160
SG 11156	208-236	182-210



SG 3004
Clamp



SG 3041
Bracket



SG 10074
Countersunk head screw
M4x8



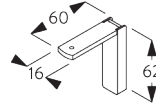
SG 10407
Pan head screw M4x10



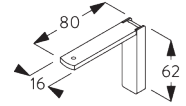
SG 10492
Pan head screw M4x8



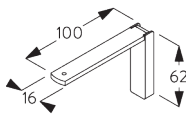
SG 11158
Countersunk head screw
M4x12



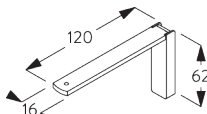
SG 11200
Smart Fix 60 mm



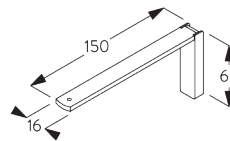
SG 11201
Smart Fix 80 mm



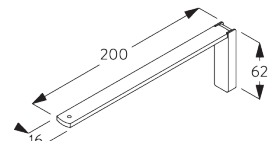
SG 11202
Smart Fix 100 mm



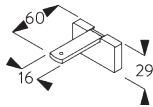
SG 11203
Smart Fix 120 mm



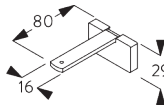
SG 11204
Smart Fix 150 mm



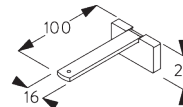
SG 11205
Smart Fix 200 mm



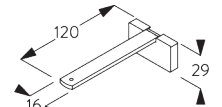
SG 11210
Square Smart Fix 60 mm



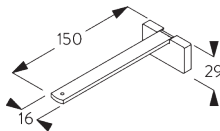
SG 11211
Square Smart Fix 80 mm



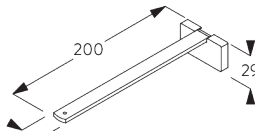
SG 11212
Square Smart Fix 100 mm



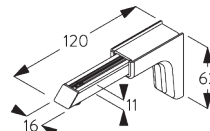
SG 11213
Square Smart Fix 120 mm



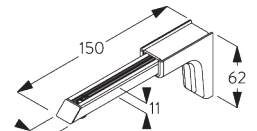
SG 11214
Square Smart Fix 150 mm



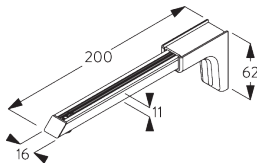
SG 11215
Square Smart Fix 200 mm



SG 11154
Universal Smart Fix 120 mm



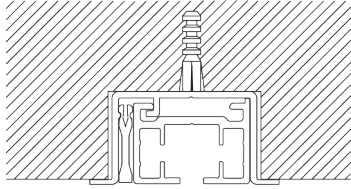
SG 11155
Universal Smart Fix 150 mm



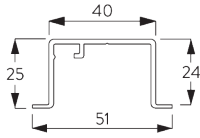
SG 11156
Universal Smart Fix 200 mm

D. RECESS FITTING

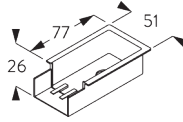
Recess profile SG 10862



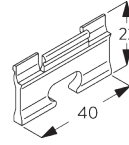
One wedge SG 5118 per fixing point.
For detailed recess fitting, visit the Silent Gliss website.



SG 10862
Recess profile



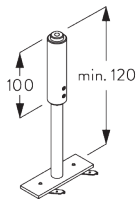
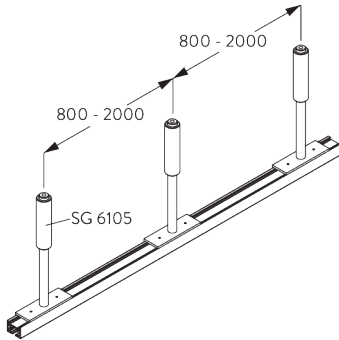
SG 10864
Recess mask



SG 5118
Wedge

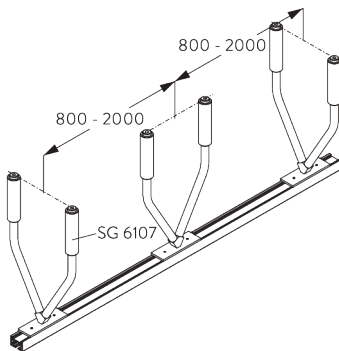
E. SUSPENDED FITTING

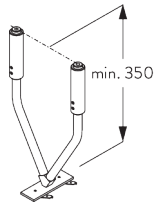
Hanger SG 6105



SG 6105
Hanger with plate

V-hanger SG 6107

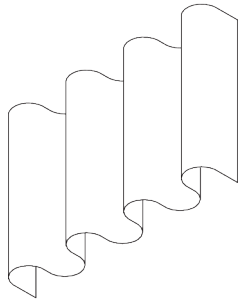




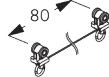
SG 6107
V-Hanger with plate

SYSTEM OPTIONS

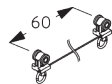
A. WAVE



SG 11295



SG 10852



SG 10869

Standard components:

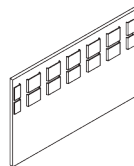
- SG 11295 End stop
- SG 10852 Wave 2C roller cord 80 mm

Optional components:

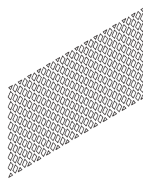
- SG 10869 Wave 2C roller cord 60 mm



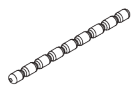
SG 3582



SG 6349



SG 6363



SG 10075

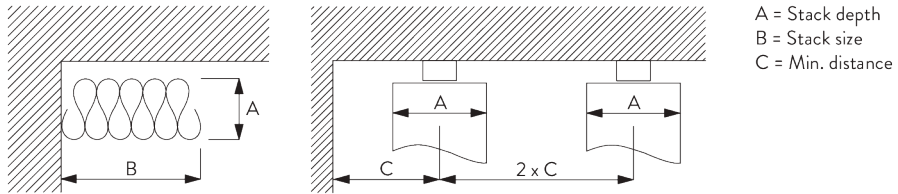


SG 10076

Curtain components:

- SG 3582 Hook
- SG 6349 Wave curtain tape
- SG 6363 Wave top hemming tape
- SG 10075 Lead weight 50 gr/m
- SG 10076 Fabric weight

Wave stack depth - 2C roller cord (standard components)



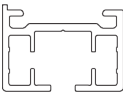
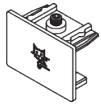



2C Roller cord SG 10852	Pockets between hooks	Approx. curtain fullness	Stack depth A	Stack size B	Min distance C
80	6	~2.1	140	210 per metre of track	90
80	7	~2.3	160	210 per metre of track	100

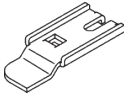

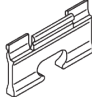
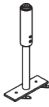
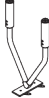


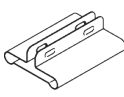
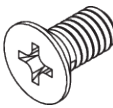
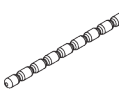
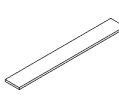
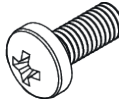


2C Roller cord SG 10869	Pockets between hooks	Approx. curtain fullness	Stack depth A	Stack size B	Min distance C
60	4	~2.1	100	260 per metre of track	70
60	5	~2.3	120	260 per metre of track	80

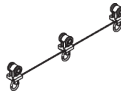
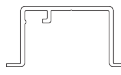
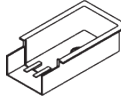
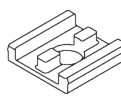
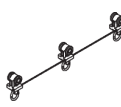
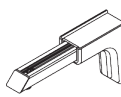
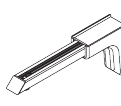
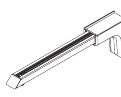
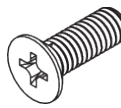
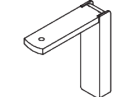
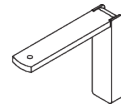
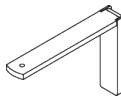
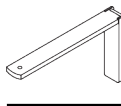
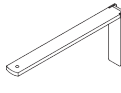
PARTS

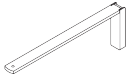
A. STANDARD PARTS

	SG 3004 Clamp
	SG 10840 2C roller
	SG 10850 Profile
	SG 11235 End cover
	SG 11465 Spring stop

B. OPTIONAL PARTS

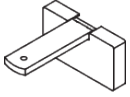
	SG 3041 Bracket
	SG 3582 Hook
	SG 5118 Wedge
	SG 6105 Hanger with plate
	SG 6107 V-Hanger with plate
	SG 6349 Wave curtain tape
	SG 6363 Wave top hemming tape
	SG 7002 Profile protector
	SG 10074 Countersunk head screw M4x8
	SG 10075 Lead weight 50 g/m
	SG 10076 Fabric weight
	SG 10407 Pan head screw M4x10
	SG 10492 Pan head screw M4x8
	SG 10831 Connection bridge

	SG 10852 Wave 2C roller cord 80 mm
	SG 10862 Recess profile
	SG 10864 Recess mask
	SG 10865 Support plate
	SG 10869 Wave 2C roller cord 60 mm
	SG 11154 Universal Smart Fix 120 mm
	SG 11155 Universal Smart Fix 150 mm
	SG 11156 Universal Smart Fix 200 mm
	SG 11158 Countersunk head screw M4x12
	SG 11200 Smart Fix 60 mm
	SG 11201 Smart Fix 80 mm
	SG 11202 Smart Fix 100 mm
	SG 11203 Smart Fix 120 mm
	SG 11204 Smart Fix 150 mm



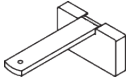
SG 11205

Smart Fix 200 mm



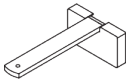
SG 11210

Square Smart Fix 60 mm



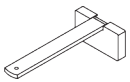
SG 11211

Square Smart Fix 80 mm



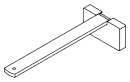
SG 11212

Square Smart Fix 100 mm



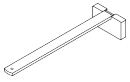
SG 11213

Square Smart Fix 120 mm



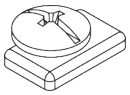
SG 11214

Square Smart Fix 150 mm



SG 11215

Square Smart Fix 200 mm



SG 11295

End stop

The Architects of Silence

Silent Gliss is the leading global supplier of premium interior window treatments. Since 1952 we have been tirelessly committed to the development of the world's smoothest, quietest systems using state of the art technology.

Driven by customer needs, Silent Gliss offers functional and durable products. Expert technical advice coupled with installation and support services complete the offer. Silent Gliss stands for innovative, sustainable, tailor made solutions, exceptional design and first-class quality.

Silent Gliss Ltd.

Pyramid Business Park
Poorhole Lane, Broadstairs
Kent CT10 2PT
United Kingdom
T +44 1843 863571
F +44 1843 864503
info@silentgliss.co.uk

Silent Gliss Global Ltd.

Pyramid Business Park
Poorhole Lane, Broadstairs
Kent CT10 2PT
United Kingdom
T +44 1843 874250
F +44 1843 864503
info@silentglissglobal.com

Silent Gliss Blinds Trading LLC

Office 1906
The H Hotel Complex
Trade Center First
Dubai
United Arab Emirates
T +971 4 7050318
info@silentgliss.ae

silentgliss.co.uk
silentglissglobal.com
silentgliss.ae