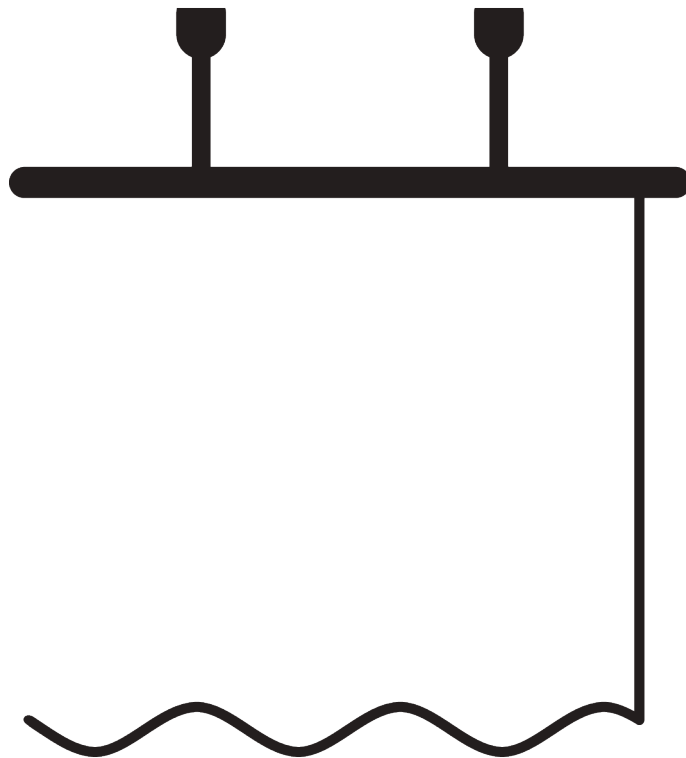


# ROOM DIVIDER/ CUBICLE TRACK SYSTEMS



# GENERAL NOTES

## **Dimensions**

- Measurements are in mm except where indicated.
- Max. kg relates to fabric incl. accessories.
- Stack size depends on curtain make-up and fabric thickness.
- Distance between gliders max. 80 mm / distance between rollers max. 100 mm.
- Recommended distance floor / fabric: 20 mm.
- In order to determine system height (B), the smallest room height must be taken into account.









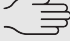

## **Fitting**

- Installation by qualified fitter only.
- Number of brackets and fitting positions / fixing points vary depending on fitting surface, system weight, fabric make-up, screw / fixing type and obstacles.
- Qualified fitter must use appropriate screws / fixings for each situation.
- Profile lip if applicable to be installed to room side.

## **Child Safety**

- All relevant Silent Gliss systems correspond to child safety EN 13120.
- All parties involved must comply with EN 13120.

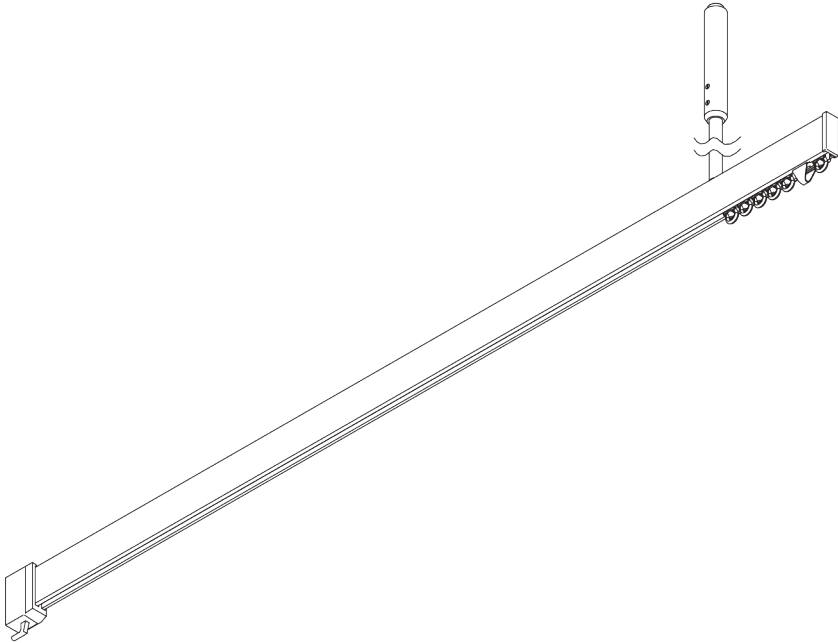
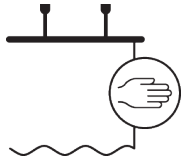
# APPLICATION CHART

<u>PAGE</u>	<u>SYSTEM</u>	<u>OPERATION</u>	<u>DIMENSION</u>	<u>DESIGN</u>	<u>WAVE</u>
5	<b>SG 1085</b>		S - M		
9	<b>SG 6100</b>		S - L		
21	<b>SG 6103</b>		S - L		
33	<b>SG 6650</b>		S - L		



# SG 1085

---



## PRODUCT INFORMATION

- **Operation:** hand
- **Range:** S - M
- **Fitting:** suspended, wall
- **Colours:** white RAL 9016 or anodised aluminum, special colours possible
- **Fabrics:** refer to Silent Gliss fabric collection

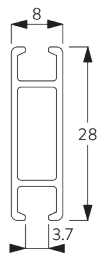
### **Features:**

- Bendable
- Suspended

# SYSTEM SPECIFICATIONS

## A. PROFILE

Profile and bending information

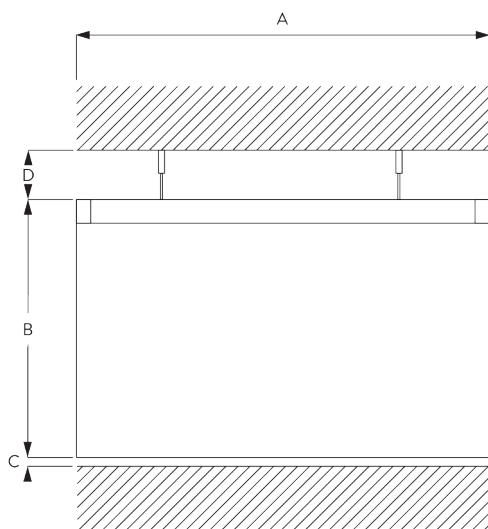


**SG 1085p**

Profile

✓ Radius:  
20 cm, >28 cm

## B. HOW TO MEASURE



A: System width

B: System height

C: Distance between floor and fabric

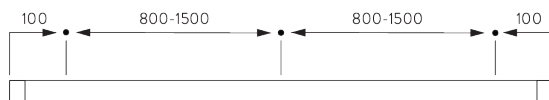
D: Distance between ceiling and system

# FITTING

## A. FITTING INFORMATION

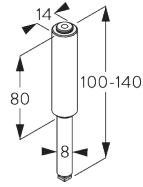
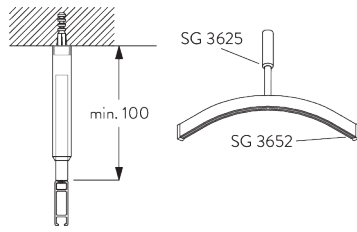
Fixing points

For detailed fitting information, visit the [Silent Gliss website](#).

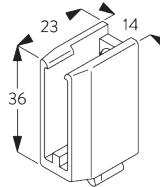


**B. CEILING FITTING**

**Hanger SG 3625**



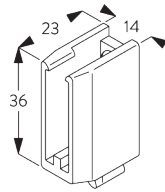
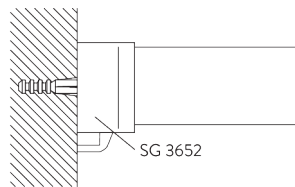
**SG 3625**  
*Hanger*



**SG 3652**  
*Wall support*

**C. WALL FITTING**

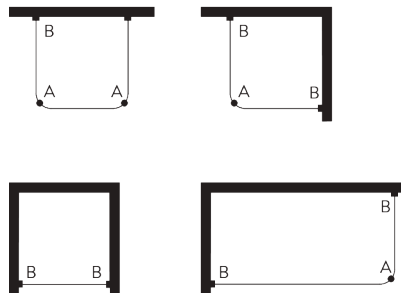
**Wall support SG 3652**



**SG 3652**  
*Wall support*

**SYSTEM OPTIONS**






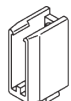
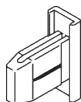
**A. LAYOUT OPTIONS**







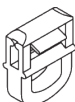



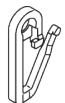





A: Hanger rod SG 3625  
B: Wall support SG 3652

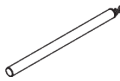

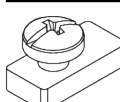
# PARTS

## A. STANDARD PARTS

	<b>SG 1085p</b> Profile
	<b>SG 3070</b> End stop
	<b>SG 3085</b> Spring stop
	<b>SG 3533</b> Glider
	<b>SG 3625</b> Hanger
	<b>SG 3652</b> Wall support
	<b>SG 3656</b> End cover

## B. OPTIONAL PARTS

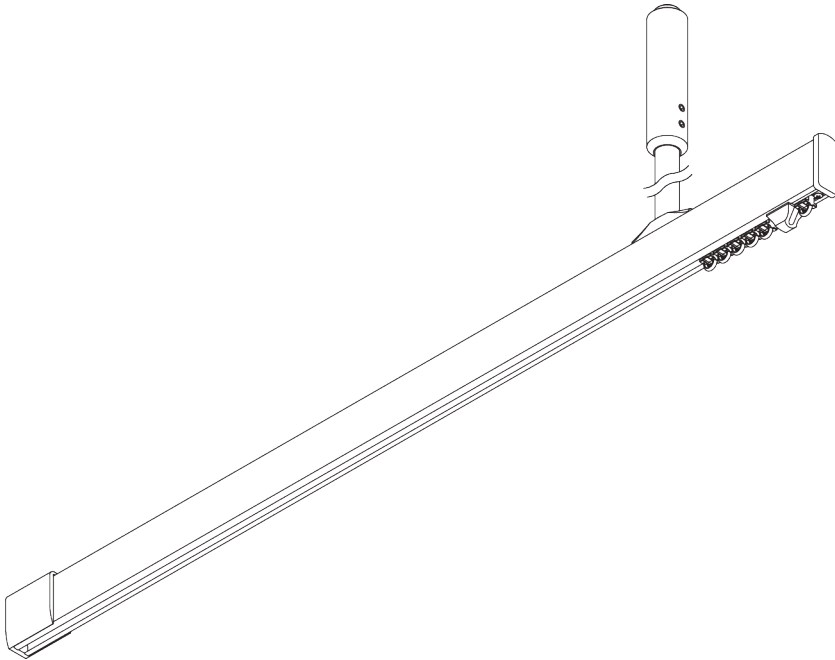
	<b>SG 3089</b> Glider with hook
	<b>SG 3534</b> Glider 3533 on strip
	<b>SG 3535</b> Glider
	<b>SG 3537</b> Glider
	<b>SG 3548</b> Glider
	<b>SG 3549</b> Click glider with hook
	<b>SG 3581</b> Hook
	<b>SG 3582</b> Hook
	<b>SG 3598</b> Eyelet
	<b>SG 3599</b> Hook
	<b>SG 6146</b> Hook
	<b>SG 10430</b> Draw rod 50 cm
	<b>SG 10431</b> Draw rod 75 cm
	<b>SG 10432</b> Draw rod 100 cm

	<b>SG 10433</b> Draw rod 125 cm
	<b>SG 10434</b> Draw rod 150 cm
	<b>SG 11335</b> End stop



# SG 6100

---



## PRODUCT INFORMATION

- **Operation:** hand
- **Range:** S - L
- **Fitting:** suspended, ceiling, wall
- **Colours:** white RAL 9016, black RAL 9005 or anodised aluminum, special colours possible
- **Fabrics:** refer to Silent Gliss fabric collection

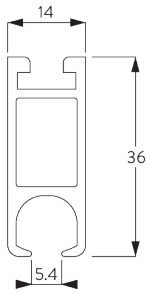
### **Features:**

- Universal room divider
- 2-component (2C) glider technology
- Wave (2C)
- Suspended
- Versatile layouts
- Bendable
- White paint incorporates anti-microbial coating as standard

# SYSTEM SPECIFICATIONS

## A. PROFILE

Profile and bending information

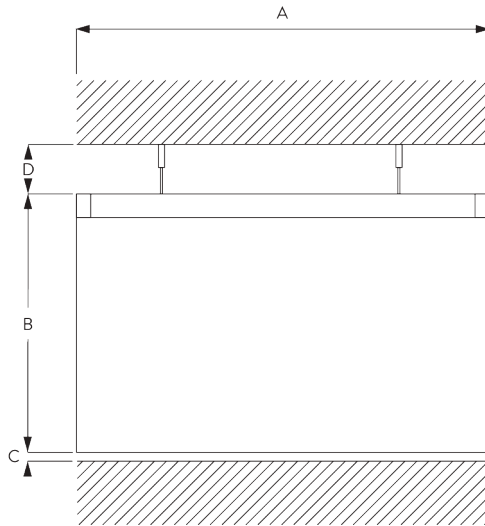


**SG 6101**

Profile

Radius:  
20 cm, >25 cm

## B. HOW TO MEASURE



A: System width

B: System height

C: Distance between floor and fabric

D: Distance between ceiling and system

## C. SPECIFICATION TEXT

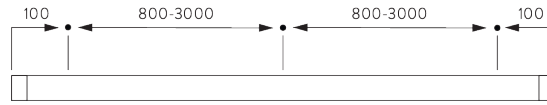
**Silent Gliss SG 6100 Cubicle Track System.** Comprises aluminium profile SG 6101 in satin anodised / white / black powder coated finish supplied made to measure with nylon glider hook SG 6147 at 10/m. Installed with the following parts depending on the system configuration: Delrin wall support SG 6609 / Dust cover SG 6110 / Ceiling fix bracket SG 6137 / Wall bracket SG 6503 / T bracket SG 6514 / Twist fixing plate SG 6124 / Ceiling fix bracket SG 6138 / Ceiling support SG 6175 / Internal bridge SG 6199 / Connecting bridge SG 6512 / Cross connection SG 6525 / End cover SG 6611 / Hanger rod SG 6190 / V-hanger rod SG 6501.

# FITTING

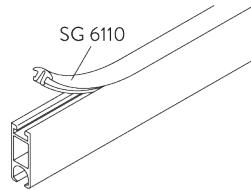
## A. FITTING INFORMATION

For detailed fitting information, visit the Silent Gliss website.

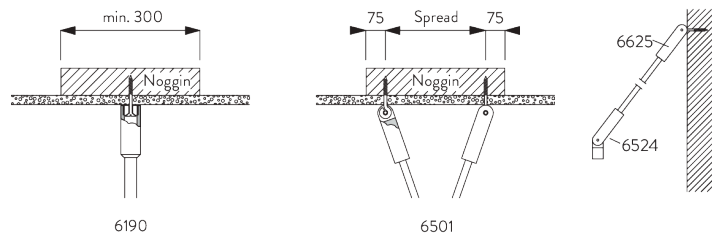
### Fixing points



### Dust cover



### Site preparation for suspended ceiling applications

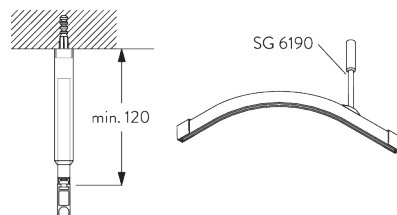


- Fixings should support the ends of the profile and any changes in direction.
- Maximum span between fixings is 3000 mm.
- When fitting to suspended ceilings site preparation is critical.
- At each hanger position a noggin in approved material is required above the suspended ceiling; underside to rest on top of ceiling (but independently supported) with a minimum length of 300 mm at right angles to the track in which the hanger occurs to give fixing tolerance.
- Ideally the hangers should be on the return track, if on the front track then adequate support should be provided.
- A detailed information sheet is available on request.

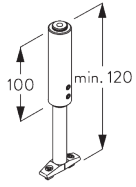
Diagonal fixing supports can be used to return the hanger to the bedhead wall, but only for use when it is impossible to ceiling fix.

## B. CEILING FITTING

### Hanger SG 6190



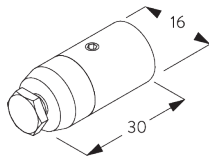
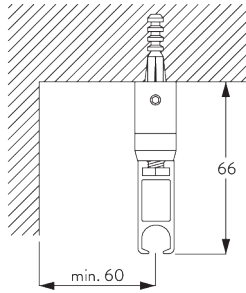
Can also be fixed in suspended ceilings by using sleeves SG 6187 & SG 6188.



**SG 6190**

*Hanger*

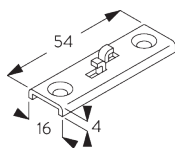
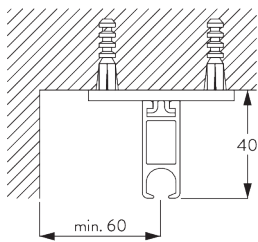
**Mini hanger SG 6175**



**SG 6175**

*Mini hanger*

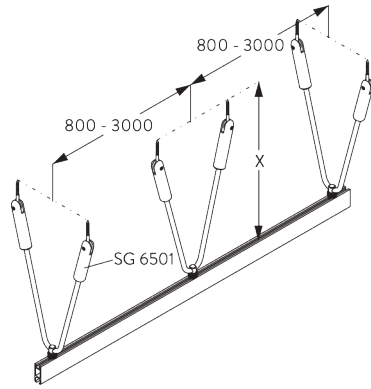
**Bracket SG 6124**



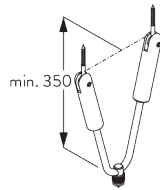
**SG 6124**

*Bracket*

## V-hanger

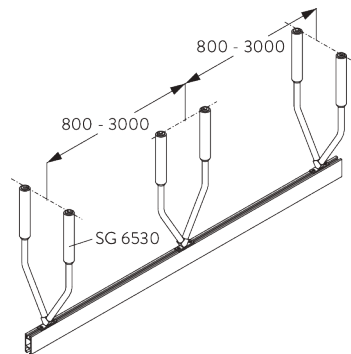


**SG 6501:**  
*V-hangers provide additional lateral stability.*

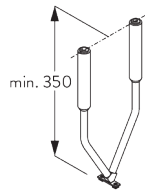


---

**SG 6501**  
V-Hanger



**SG 6530:**  
*V-hangers provide additional lateral stability.*

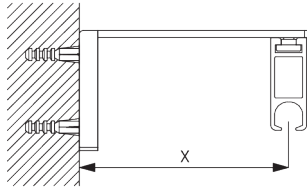


---

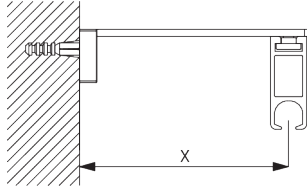
**SG 6530**  
V-Hanger

## C. WALL FITTING

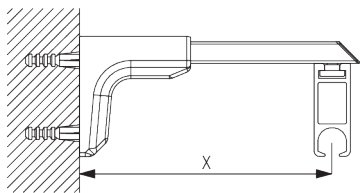
### Smart Fix



**Smart Fix with slot SG 11206 - SG 11208:**  
Screw SG 10492 (M4x8) needed.

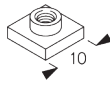


**Square Smart Fix with slot SG 11216 - SG 11218:**  
Screw SG 10492 (M4x8) needed.



**Universal Smart Fix SG 11154 - SG 11156:**  
Screw SG 11131 (M4x6) needed.

Smart Fix	X mm
SG 11206 / SG 11216	33-51
SG 11207 / SG 11217	53-71
SG 11208 / SG 11218	73-91
SG 11154	102-130
SG 11155	132-160
SG 11156	182-210



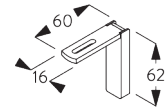
**SG 6117**  
Slot nut



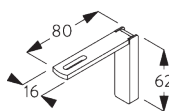
**SG 10492**  
Pan head screw M4x8



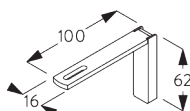
**SG 11131**  
Pan head screw with flange  
M4x6



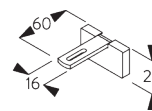
**SG 11206**  
Smart Fix with slot 60 mm



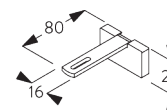
**SG 11207**  
Smart Fix with slot 80 mm



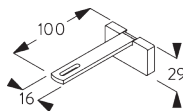
**SG 11208**  
Smart Fix with slot 100 mm



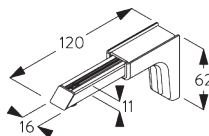
**SG 11216**  
Square Smart Fix with slot 60 mm



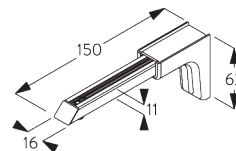
**SG 11217**  
Square Smart Fix with slot 80 mm



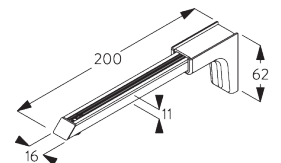
**SG 11218**  
Square Smart Fix with slot  
100 mm



**SG 11154**  
Universal Smart Fix 120 mm

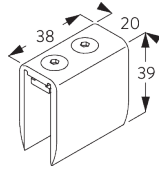
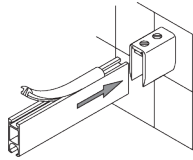


**SG 11155**  
Universal Smart Fix 150 mm



**SG 11156**  
Universal Smart Fix 200 mm

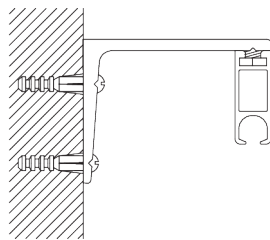
## Wall support SG 6610



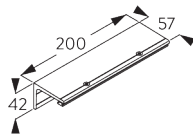
**SG 6610**

Wall support

## Bracket SG 6503



Bracket SG 6503 is available in various sizes, enquire at Silent Gliss.

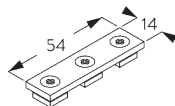
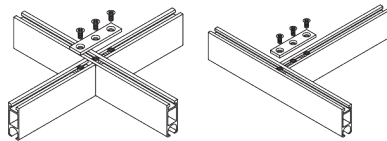


**SG 6503**

Bracket

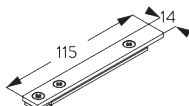
## D. PROFILE JUNCTIONS

### Connection bridges SG 6123 & SG 6514



**SG 6123**

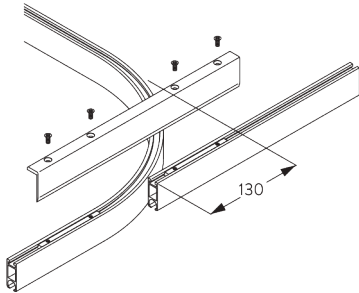
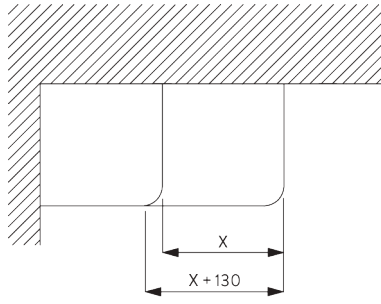
Connection plate



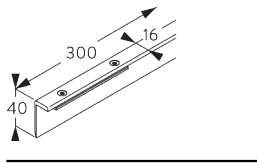
**SG 6514**

T-Junction

**Connecting bridge  
SG 6512**



*Note: be sure to attach a sketch!*

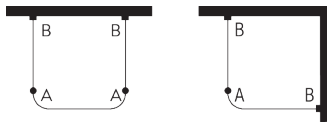


**SG 6512**

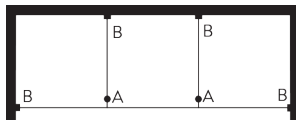
Connection bridge

# SYSTEM OPTIONS

**A. LAYOUT OPTIONS**

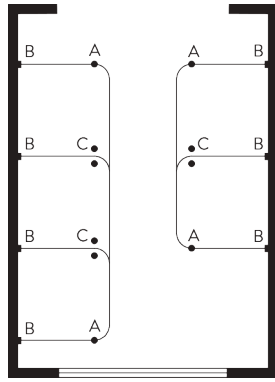


*A: Hanger rod  
B: Wall support*



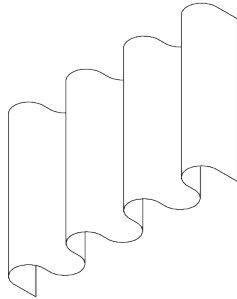
*A: Hanger rod  
B: Wall support*



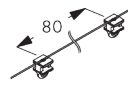


A: Hanger rod  
 B: Wall support  
 C: V-hanger

## B. WAVE



SG 11295



SG 11302

Standard components:

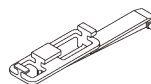
- SG 11295 End stop
- SG 11302 Wave 2C glider cord 80 mm



SG 2255



SG 2256



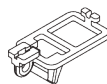
SG 6364



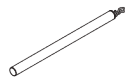
SG 6365

Optional components (min. radius >25 cm):

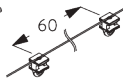
- SG 2255 Brake
- SG 2256 Brake
- SG 6364 Wave extension
- SG 6365 Wave hanger
- SG 6366 Wave carrier for draw rod
- SG 10430-34 Draw rod
- SG 11303 Wave 2C glider cord 60 mm



SG 6366



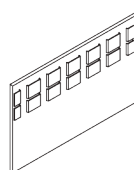
SG 10430-34



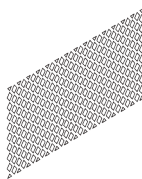
SG 11303



SG 3582



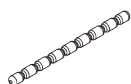
SG 6349



SG 6363

Curtain components:

- SG 3582 Hook
- SG 6349 Wave curtain tape
- SG 6363 Wave top hemming tape
- SG 10075 Lead weight 50 gr/m
- SG 10076 Fabric weight

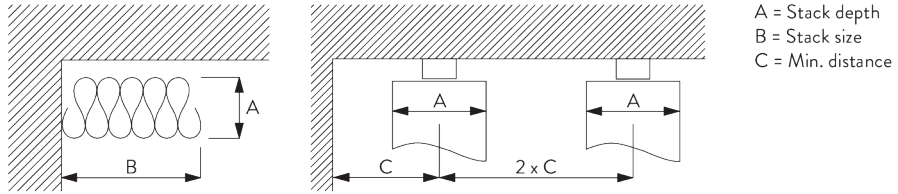


SG 10075



SG 10076

Wave stack depth - 2C glider cord (standard components)




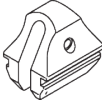



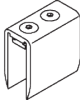
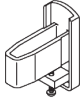
2C Glider cord SG 11302	Pockets between hooks	Approx. curtain fullness	Stack depth A	Stack size B*	Min distance C
80	6	~2.1	140	180 per metre of track	90
80	7	~2.3	160	180 per metre of track	100

2C Glider cord SG 11303	Pockets between hooks	Approx. curtain fullness	Stack depth A	Stack size B*	Min distance C
60	4	~2.1	100	230 per metre of track	70
60	5	~2.3	120	230 per metre of track	80

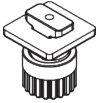

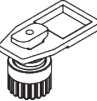
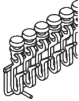

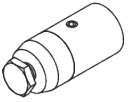


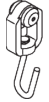





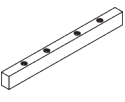
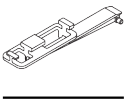
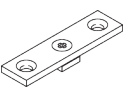
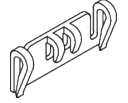
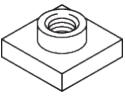
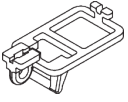
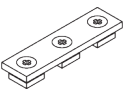

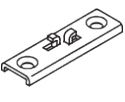
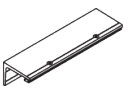
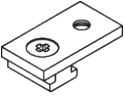
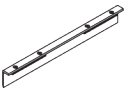
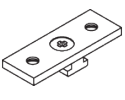
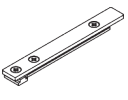
\*Stack size B when using optional extension arm SG 6364 increases by 95 mm per curtain stack!

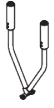
# PARTS

## A. STANDARD PARTS

	<b>SG 6065</b> End stop
	<b>SG 6086</b> Spring stop
	<b>SG 6101</b> Profile
	<b>SG 6143</b> Glider on strip
	<b>SG 6190</b> Hanger
	<b>SG 6610</b> Wall support
	<b>SG 6611</b> End cover

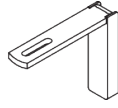
## B. OPTIONAL PARTS

	<b>SG 2255</b> Brake		<b>SG 6146</b> Hook
	<b>SG 2256</b> Brake		<b>SG 6147</b> Glider with hook on strip
	<b>SG 3582</b> Hook		<b>SG 6175</b> Mini hanger
	<b>SG 3599</b> Hook		<b>SG 6187</b> Sleeve
	<b>SG 6094</b> Roller		<b>SG 6283</b> Roller
	<b>SG 6098</b> Roller		<b>SG 6349</b> Wave curtain tape
	<b>SG 6110</b> Dust cover		<b>SG 6363</b> Wave top hemming tape
	<b>SG 6112</b> Connection bridge		<b>SG 6364</b> Wave extension
	<b>SG 6115</b> Bracket		<b>SG 6365</b> Wave hanger
	<b>SG 6117</b> Slot nut		<b>SG 6366</b> Wave carrier for draw rod
	<b>SG 6123</b> Connection plate		<b>SG 6501</b> V-Hanger
	<b>SG 6124</b> Bracket		<b>SG 6503</b> Bracket
	<b>SG 6137</b> Bracket		<b>SG 6512</b> Connection bridge
	<b>SG 6138</b> Bracket		<b>SG 6514</b> T-Junction



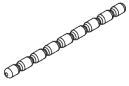
**SG 6530**

V-Hanger



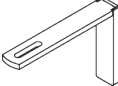
**SG 11207**

Smart Fix with slot 80 mm



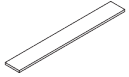
**SG 10075**

Lead weight 50 g/m



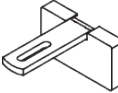
**SG 11208**

Smart Fix with slot 100 mm



**SG 10076**

Fabric weight



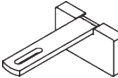
**SG 11216**

Square Smart Fix with slot 60 mm



**SG 10430**

Draw rod 50 cm



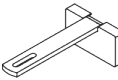
**SG 11217**

Square Smart Fix with slot 80 mm



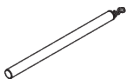
**SG 10431**

Draw rod 75 cm



**SG 11218**

Square Smart Fix with slot 100 mm



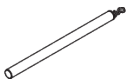
**SG 10432**

Draw rod 100 cm



**SG 11295**

End stop



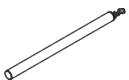
**SG 10433**

Draw rod 125 cm



**SG 11302**

Wave 2C glider cord 80 mm



**SG 10434**

Draw rod 150 cm



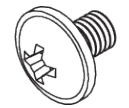
**SG 11303**

Wave 2C glider cord 60 mm



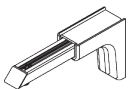
**SG 10492**

Pan head screw M4x8



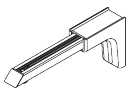
**SG 11131**

Pan head screw with flange M4x6



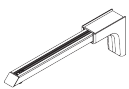
**SG 11154**

Universal Smart Fix 120 mm



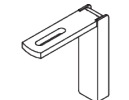
**SG 11155**

Universal Smart Fix 150 mm



**SG 11156**

Universal Smart Fix 200 mm

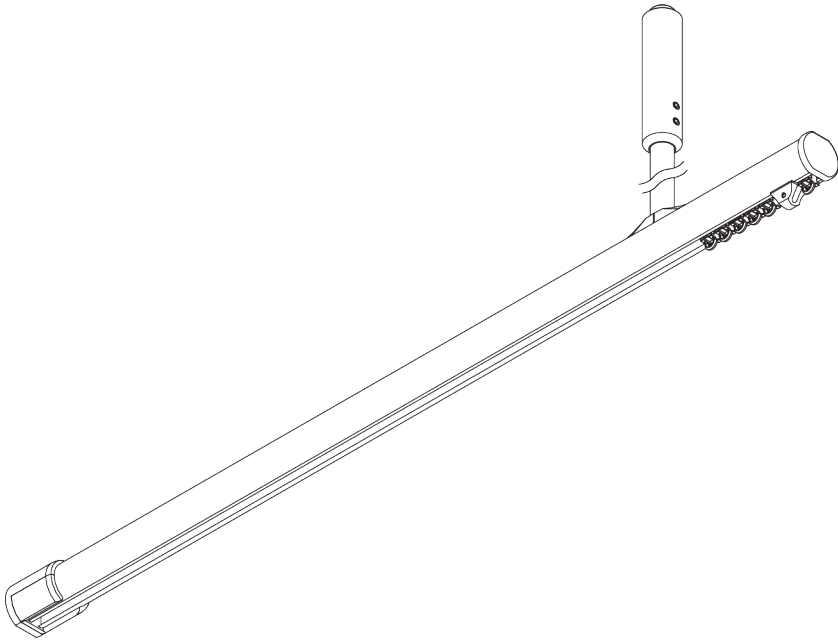
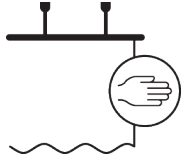


**SG 11206**

Smart Fix with slot 60 mm

# SG 6103

---



## PRODUCT INFORMATION

- **Operation:** hand
- **Range:** S - L
- **Fitting:** suspended, ceiling, wall
- **Colours:** white RAL 9016 or anodised aluminum, special colours possible
- **Fabrics:** refer to Silent Gliss fabric collection

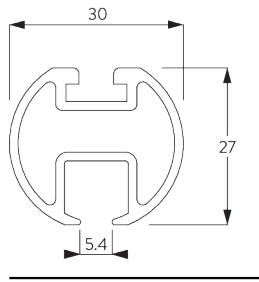
### **Features:**

- Universal room divider
- 2-component (2C) glider technology
- Wave (2C)
- Suspended
- Versatile layouts
- Bendable

# SYSTEM SPECIFICATIONS

## A. PROFILE

Profile and bending information

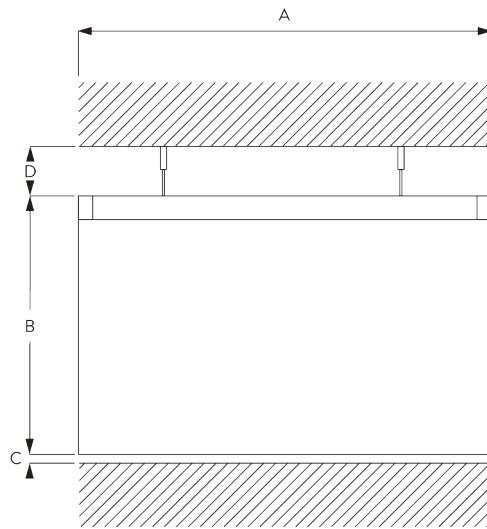


SG 6103p

Profile



## B. HOW TO MEASURE



A: System width

B: System height

C: Distance between floor and fabric

D: Distance between ceiling and system

## C. SPECIFICATION TEXT

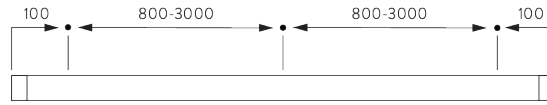
**Silent Gliss SG 6103 Room Divider System.** Comprises aluminium profile SG 6103 in satin anodised / white powder coat finish supplied made to measure with standard nylon glider hook SG 6147 at 10/m. Installed with the following parts depending on system configuration: Wall support SG 6620 / Wall bracket SG 6503 / End cover SG 6630 / End stop SG 6007 / External bridge SG 6521 / T-junction SG 6514 / Cross connection SG 6525 / Ceiling fixing plate SG 6138 / Twist fixing plate SG 6124 / Hanger rod SG 6190 / V-hanger rod SG 6501 / dust cover SG6110/ ceiling support SG 6175 / Internal Bridge SG 6635.

# FITTING

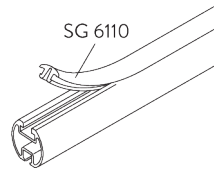
## A. FITTING INFORMATION

For detailed fitting information, visit the Silent Gliss website.

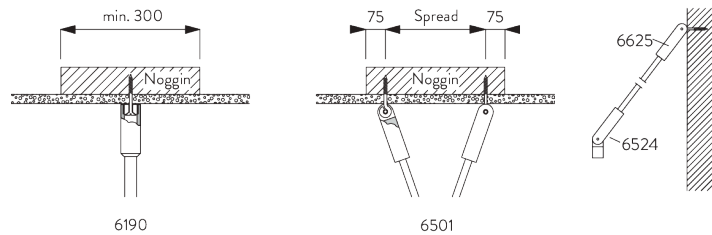
### Fixing points



### Dust Cover



### Site preparation for suspended ceiling applications

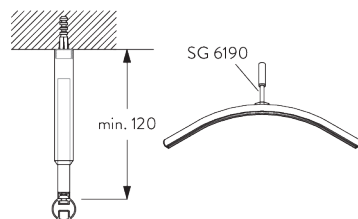


- Fixings should support the ends of the profile and any changes in direction.
- Maximum span between fixings is 3000 mm.
- When fitting to suspended ceilings site preparation is critical.
- At each hanger position a noggin in approved material is required above the suspended ceiling; underside to rest on top of ceiling (but independently supported) with a minimum length of 300 mm at right angles to the track in which the hanger occurs to give fixing tolerance.
- Ideally the hangers should be on the return track, if on the front track then adequate support should be provided.
- A detailed information sheet is available on request.

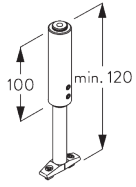
Diagonal fixing supports can be used to return the hanger to the bedhead wall, but only for use when it is impossible to ceiling fix.

## B. CEILING FITTING

### Hanger SG 6190



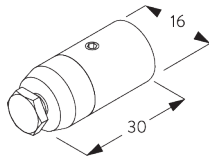
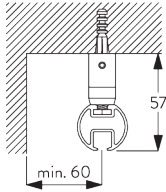
Can also be fixed in suspended ceilings by using sleeves SG 6197, SG 6186, SG 6187, SG 6188.



---

**SG 6190**  
*Hanger*

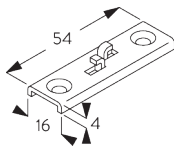
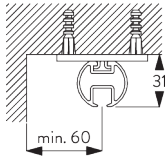
**Mini hanger SG 6175**



---

**SG 6175**  
*Mini hanger*

**Bracket SG 6124**

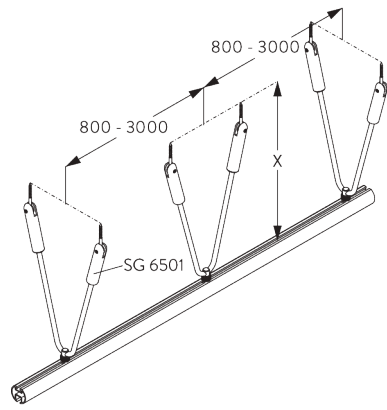


---

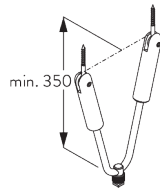
**SG 6124**  
*Bracket*



## V-hanger

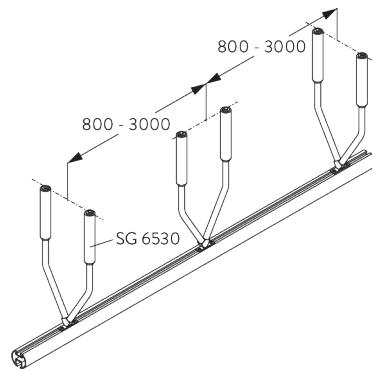


**SG 6501:**  
*V-hangers provide additional lateral stability.*

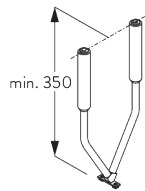


---

**SG 6501**  
V-Hanger



**SG 6530:**  
*V-hangers provide additional lateral stability.*

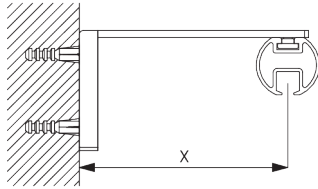


---

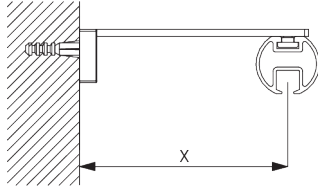
**SG 6530**  
V-Hanger

## C. WALL FITTING

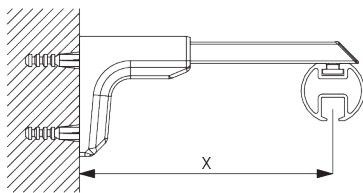
### Smart Fix



**Smart Fix with slot SG 11206 - SG 11208:**  
Screw SG 10492 (M4x8) needed.

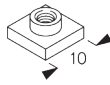


**Square Smart Fix with slot SG 11216 - SG 11218:**  
Screw SG 10492 (M4x8) needed.



**Universal Smart Fix SG 11154 - SG 11156:**  
Screw SG 11131 (M4x6) needed.

Smart Fix	X mm
SG 11206 / SG 11216	33-51
SG 11207 / SG 11217	53-71
SG 11208 / SG 11218	73-91
SG 11154	102-130
SG 11155	132-160
SG 11156	182-210



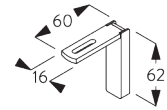
**SG 6117**  
Slot nut



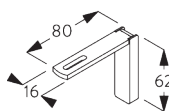
**SG 10492**  
Pan head screw M4x8



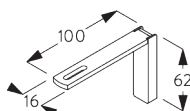
**SG 11131**  
Pan head screw with flange  
M4x6



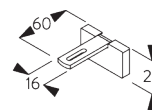
**SG 11206**  
Smart Fix with slot 60 mm



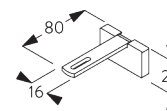
**SG 11207**  
Smart Fix with slot 80 mm



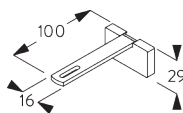
**SG 11208**  
Smart Fix with slot 100 mm



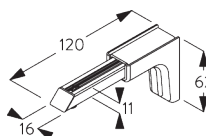
**SG 11216**  
Square Smart Fix with slot 60  
mm



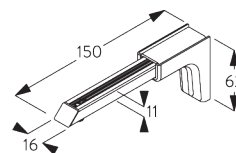
**SG 11217**  
Square Smart Fix with slot 80  
mm



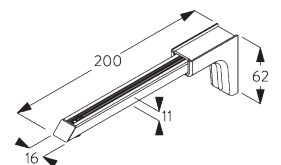
**SG 11218**  
Square Smart Fix with slot  
100 mm



**SG 11154**  
Universal Smart Fix 120 mm

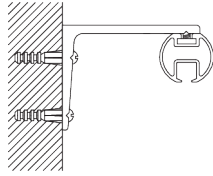


**SG 11155**  
Universal Smart Fix 150 mm

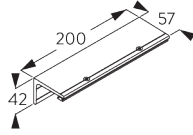


**SG 11156**  
Universal Smart Fix 200 mm

## Bracket SG 6503



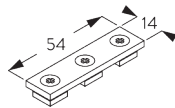
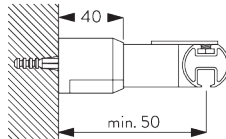
Bracket SG 6503 is available in various sizes, enquire at Silent Gliss.



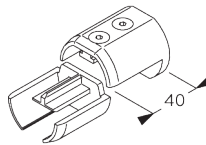
**SG 6503**  
Bracket

## D. WALL SUPPORT

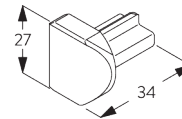
### Bracket SG 6620



**SG 6123**  
Connection plate



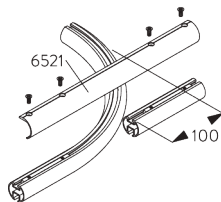
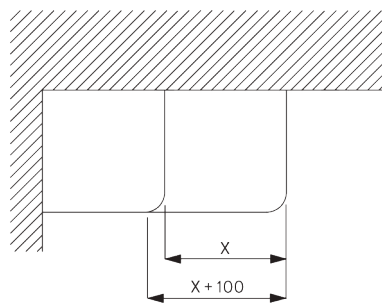
**SG 6620**  
Wall bracket



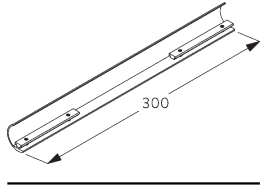
**SG 6631**  
Connection piece

## E. PROFILE JUNCTIONS

### Connection bridge SG 6521



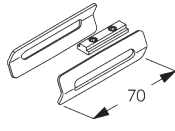
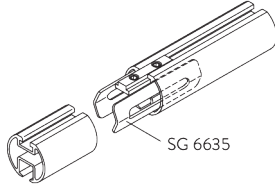
Note: be sure to attach a sketch!



**SG 6521**

Connection bridge

**Connection set  
SG 6635**

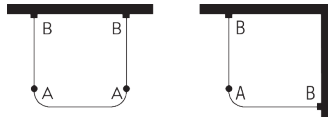


**SG 6635**

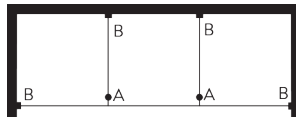
Connection bridge set

# SYSTEM OPTIONS

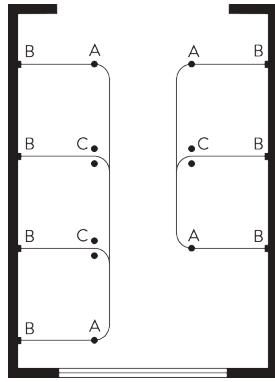
## A. LAYOUT OPTIONS



A: Hanger rod  
B: Wall support

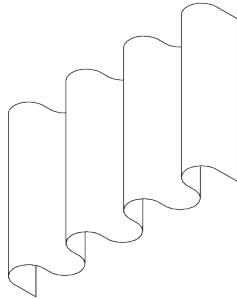


A: Hanger rod  
B: Wall support

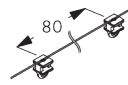


A: Hanger rod  
 B: Wall support  
 C: V-hanger

## B. WAVE



SG 11295



SG 11302

Standard components:

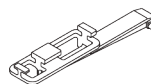
- SG 11295 End stop
- SG 11302 Wave 2C glider cord 80 mm



SG 2255



SG 2256



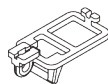
SG 6364



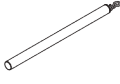
SG 6365

Optional components:

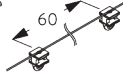
- SG 2255 Brake
- SG 2256 Brake
- SG 6364 Wave extension
- SG 6365 Wave hanger
- SG 6366 Wave carrier for draw rod
- SG 10430-34 Draw rod
- SG 11303 Wave 2C glider cord 60 mm



SG 6366



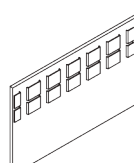
SG 10430-34



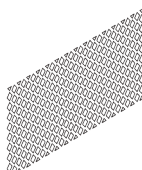
SG 11303



SG 3582



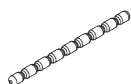
SG 6349



SG 6363

Curtain components:

- SG 3582 Hook
- SG 6349 Wave curtain tape
- SG 6363 Wave top hemming tape
- SG 10075 Lead weight 50 gr/m
- SG 10076 Fabric weight

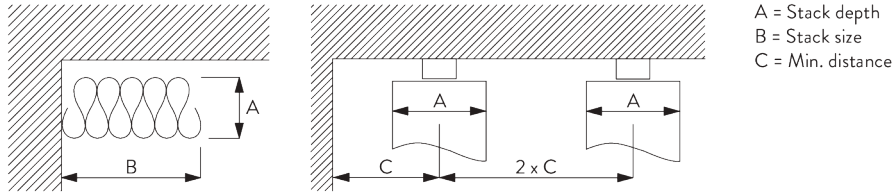


SG 10075



SG 10076

Wave stack depth - 2C glider cord (standard components)




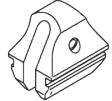



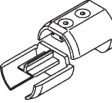
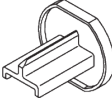
2C Glider cord SG 11302	Pockets between hooks	Approx. curtain fullness	Stack depth A	Stack size B*	Min distance C
80	6	~2.1	140	180 per metre of track	90
80	7	~2.3	160	180 per metre of track	100

2C Glider cord SG 11303	Pockets between hooks	Approx. curtain fullness	Stack depth A	Stack size B*	Min distance C
60	4	~2.1	100	230 per metre of track	70
60	5	~2.3	120	230 per metre of track	80

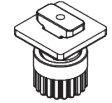
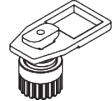






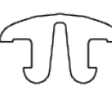
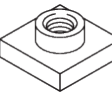
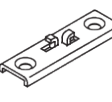
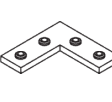
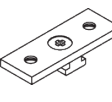

\*Stack size B when using optional extension arm SG 6364 increases by 95 mm per curtain stack!

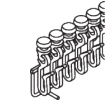
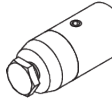
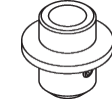
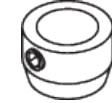

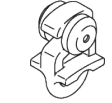
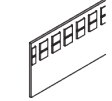
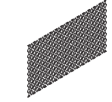
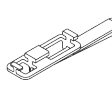
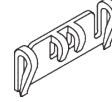
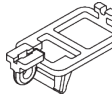

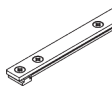

# PARTS

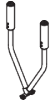
## A. STANDARD PARTS

	<b>SG 6065</b> End stop
	<b>SG 6086</b> Spring stop
	<b>SG 6103p</b> Profile
	<b>SG 6143</b> Glider on strip
	<b>SG 6190</b> Hanger
	<b>SG 6620</b> Wall bracket
	<b>SG 6630</b> End cover

## B. OPTIONAL PARTS

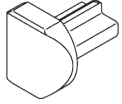
	<b>SG 2255</b> Brake
	<b>SG 2256</b> Brake
	<b>SG 3582</b> Hook
	<b>SG 3599</b> Hook
	<b>SG 6064</b> End stop
	<b>SG 6075</b> End stop with hook
	<b>SG 6094</b> Roller
	<b>SG 6098</b> Roller
	<b>SG 6110</b> Dust cover
	<b>SG 6117</b> Slot nut
	<b>SG 6124</b> Bracket
	<b>SG 6125</b> Corner connection piece
	<b>SG 6138</b> Bracket
	<b>SG 6146</b> Hook

	<b>SG 6147</b> Glider with hook on strip
	<b>SG 6175</b> Mini hanger
	<b>SG 6186</b> Sleeve
	<b>SG 6187</b> Sleeve
	<b>SG 6196</b> Double hanger
	<b>SG 6283</b> Roller
	<b>SG 6349</b> Wave curtain tape
	<b>SG 6363</b> Wave top hemming tape
	<b>SG 6364</b> Wave extension
	<b>SG 6365</b> Wave hanger
	<b>SG 6366</b> Wave carrier for draw rod
	<b>SG 6501</b> V-Hanger
	<b>SG 6514</b> T-Junction
	<b>SG 6521</b> Connection bridge



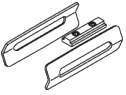
**SG 6530**

V-Hanger



**SG 6631**

Connection piece



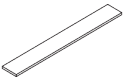
**SG 6635**

Connection bridge set



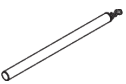
**SG 10075**

Lead weight 50 g/m



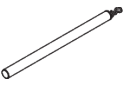
**SG 10076**

Fabric weight



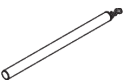
**SG 10430**

Draw rod 50 cm



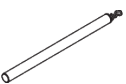
**SG 10431**

Draw rod 75 cm



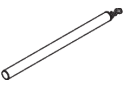
**SG 10432**

Draw rod 100 cm



**SG 10433**

Draw rod 125 cm



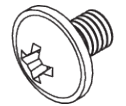
**SG 10434**

Draw rod 150 cm



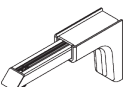
**SG 10492**

Pan head screw M4x8



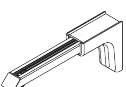
**SG 11131**

Pan head screw with flange M4x6



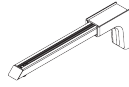
**SG 11154**

Universal Smart Fix 120 mm



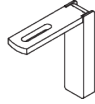
**SG 11155**

Universal Smart Fix 150 mm



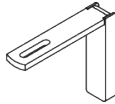
**SG 11156**

Universal Smart Fix 200 mm



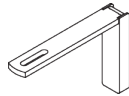
**SG 11206**

Smart Fix with slot 60 mm



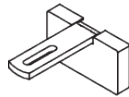
**SG 11207**

Smart Fix with slot 80 mm



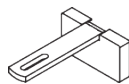
**SG 11208**

Smart Fix with slot 100 mm



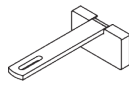
**SG 11216**

Square Smart Fix with slot 60 mm



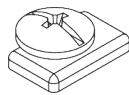
**SG 11217**

Square Smart Fix with slot 80 mm



**SG 11218**

Square Smart Fix with slot 100 mm



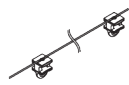
**SG 11295**

End stop



**SG 11302**

Wave 2C glider cord 80 mm

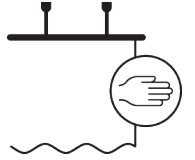


**SG 11303**

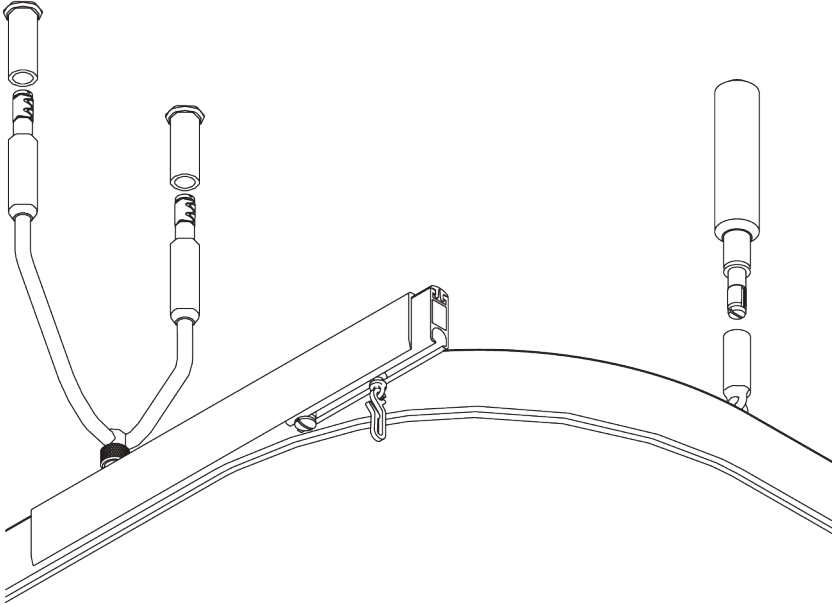
Wave 2C glider cord 60 mm



# SG 6650



## SAFETY DEVICE



### PRODUCT INFORMATION

- **Operation:** hand
- **Range:** S-L
- **Fitting:** suspended, ceiling, wall
- **Colours:** Anodised aluminum, special colours possible
- **Fabrics:** refer to Silent Gliss fabric collection

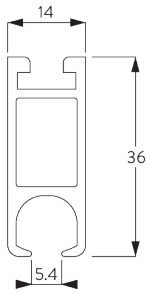
#### Features:

- Quick release safety device; for high risk areas to reduce opportunity for self harm
- Progressive disconnection of friction-based joints, wall supports and brackets at maximum static load of 40 kg
- Simple re-connection of hangers and brackets after separation
- For use with SG 6100

# SYSTEM SPECIFICATIONS

## A. PROFILE

Profile and bending information

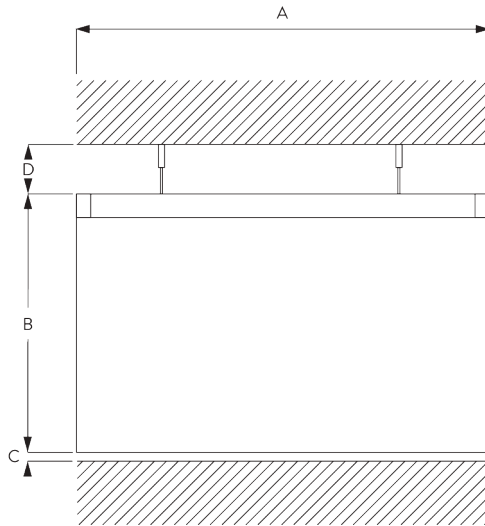


**SG 6101**

Profile

Radius:  
20 cm, >25 cm

## B. HOW TO MEASURE



A: System width  
B: System height  
C: Distance between floor and fabric  
D: Distance between ceiling and system

## C. SPECIFICATION TEXT

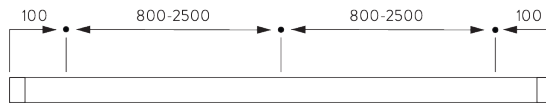
**Silent Gliss SG 6650 Safety Device System.** The SG 6650 safety device system is designed for specific use with the SG 6100 cubicle system with the SG 6101 profile option only with nylon glider hook SG 6147 at 10/m. Key parts to add to SG 6100 system: End cover SG 6611 / Wall support set SG 6655 / SG Wall support combination SG 6668 / V-hanger with safety device SG 6658 / Vertical hanger with safety device SG 6651/ Acrylic plate SG 0785 / Wall bracket combination SG 6663 / Screw cover SG6672 / Connecting bridge SG 6666 / Washer SG 6671 . To be installed by Silent Gliss approved distributors only.

# FITTING

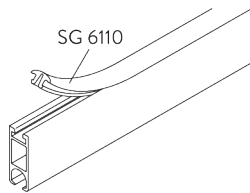
## A. FITTING INFORMATION

For detailed fitting information, visit the Silent Gliss website.

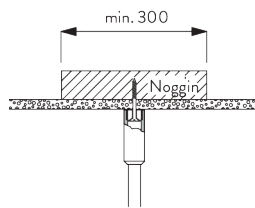
## Fixing points



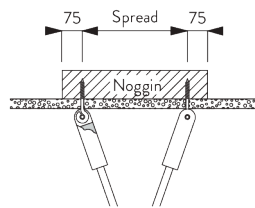
## Dust Cover



## Site preparation for suspended ceiling applications



SG 6651



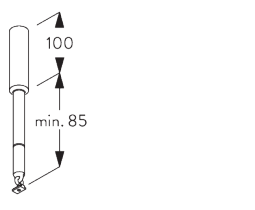
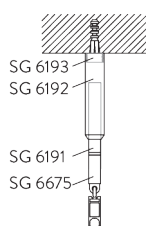
SG 6658

The SG 6650 system is intended to reduce the risk of self-harm in cubicle situations:

- **It must be fitted in accordance with the specific SG 6650 fitting instructions and only by approved Silent Gliss installers.**
- **Failure to do so will reduce its effectiveness.**
- Fixings should support ends of profile plus changes in direction.
- Maximum span between supports is 2.5 m. Position of supports can affect the performance of the system.
- At each hanger position a noggin in approved material is required above the suspended ceiling; to rest on top of ceiling (but independently supported), with a minimum length of 300 mm at right angles to the track in which the hanger occurs to give fixing tolerance.
- All completed systems must be risk assessed by a qualified installer.

## B. CEILING FITTING

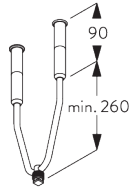
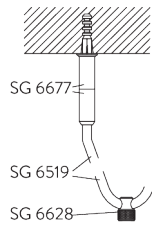
### Hanger SG 6651



SG 6651

Hanger

## V-hanger SG 6658

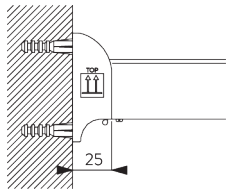


**SG 6658**

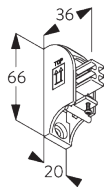
*V-Hanger*

## C. WALL FITTING

### Support SG 6655



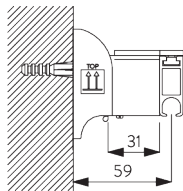
*For head on fixing of profile*



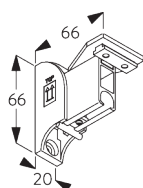
**SG 6655**

*Wall support*

### Support SG 6668



*For parallel fixing of profile to the wall*

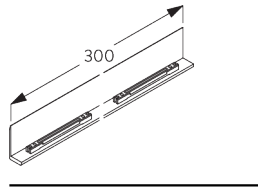
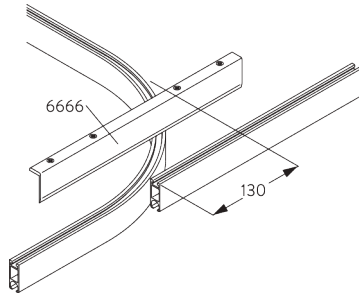


**SG 6668**

*Wall bracket*

**D. PROFILE  
JUNCTION**

Connecting bridge  
SG 6666

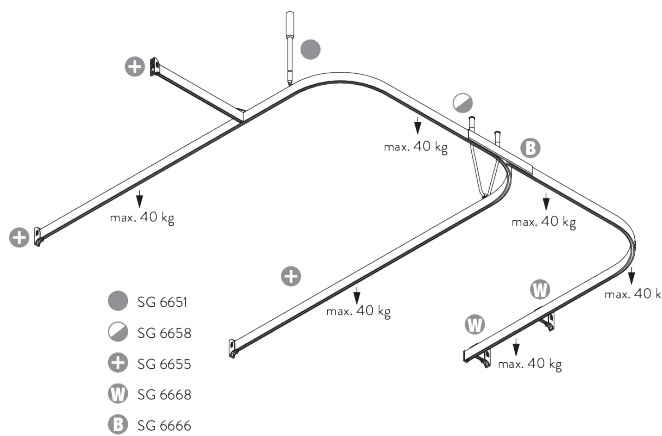


SG 6666  
Connecting bridge

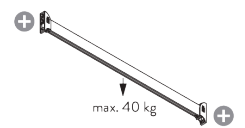
# SYSTEM LAYOUT

**A. LAYOUT  
OVERVIEW**

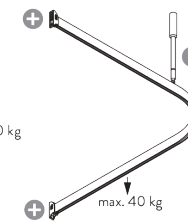
Typical track layout



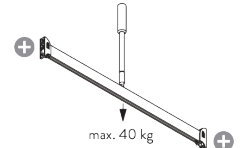
Straight Shower Rail



Bent Shower Rail/ /Door Screen

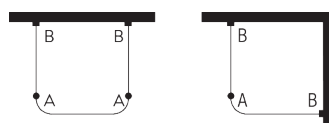


Room Dividers, Showers and Door Screens

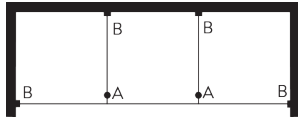


- As universal room divider system with various accessories, there are almost no limits to size and layouts.
- The recommended height from finished floor level to the underside of track is 2100 mm
- Typical method of obtaining stability is by attaching the system to the corridor wall or window.

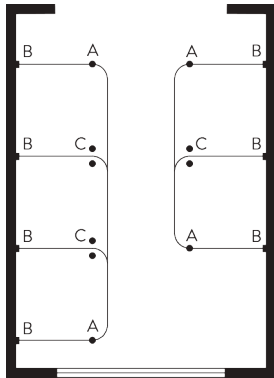
**B. LAYOUT OPTIONS**



A: Hanger rod  
B: Wall support

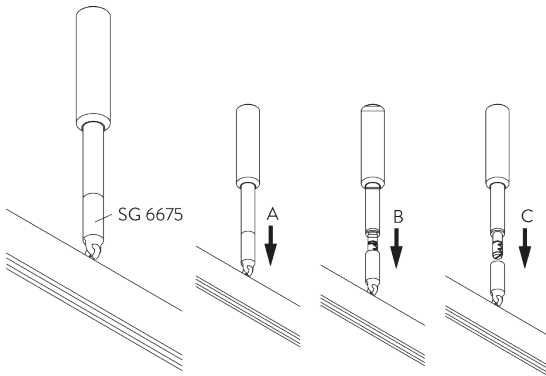


A: Hanger rod  
B: Wall support

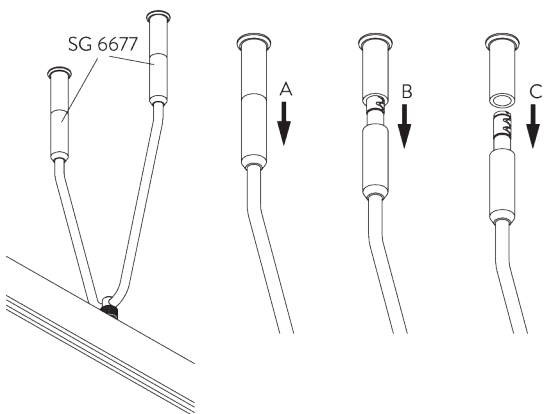


A: Hanger rod  
B: Wall support  
C: V-hanger

**C. SAFETY KEY COMPONENTS**

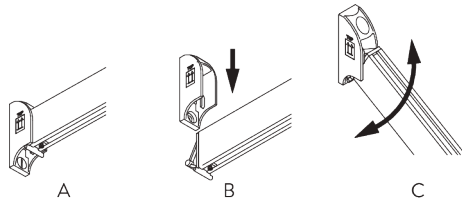


- SG 6675 safety device for single hanger.  
- Pictured in the process of separating (A, B) and separated (C).

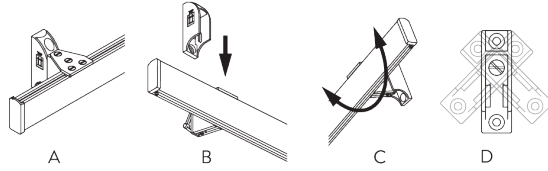


- SG 6677 safety device for V-hanger.  
- V-hanger safety device assembly pictured here in the process of separating (A, B) and separated (C).

**D. SEPARATION**  
**LOADS**



- Safety wall support SG 6655 (for right angled fixing of profile).
- Profile separates from wall support at given weight (A,B).
- The tilting function (C,D) ensures that profile will release when profile pulled at an angle.



- Safety wall support SG 6668 (for parallel fixing of the profile to the wall).
- Profile separates from wall support at given weight (A,B).
- The profile will pivot in the bracket (C, D).

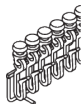
# PARTS

## A. STANDARD PARTS



**SG 6101**

Profile



**SG 6147**

Glider with hook on strip



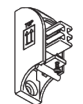
**SG 6611**

End cover



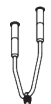
**SG 6651**

Hanger



**SG 6655**

Wall support



**SG 6658**

V-Hanger



**SG 6666**

Connecting bridge



**SG 6668**

Wall bracket



**SG 6669**

Dust cover



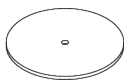
**SG 6671**

Washer



**SG 6672**

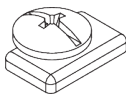
Cover



**SG 6679**

Acrylic disc

## B. OPTIONAL PARTS



**SG 11295**

End stop









## ***The Architects of Silence***

***Silent Gliss is the leading global supplier of premium interior window treatments. Since 1952 we have been tirelessly committed to the development of the world's smoothest, quietest systems using state of the art technology.***

*Driven by customer needs, Silent Gliss offers functional and durable products. Expert technical advice coupled with installation and support services complete the offer. Silent Gliss stands for innovative, sustainable, tailor made solutions, exceptional design and first-class quality.*

### **Silent Gliss Ltd.**

Pyramid Business Park  
Poorhole Lane, Broadstairs  
Kent CT10 2PT  
United Kingdom  
**T** +44 1843 863571  
**F** +44 1843 864503  
info@silentgliss.co.uk

### **Silent Gliss Global Ltd.**

Pyramid Business Park  
Poorhole Lane, Broadstairs  
Kent CT10 2PT  
United Kingdom  
**T** +44 1843 874250  
**F** +44 1843 864503  
info@silentglissglobal.com

### **Silent Gliss Blinds Trading LLC**

Office 1906  
The H Hotel Complex  
Trade Center First  
Dubai  
United Arab Emirates  
**T** +971 4 7050318  
info@silentgliss.ae

**silentgliss.co.uk**  
**silentglissglobal.com**  
**silentgliss.ae**